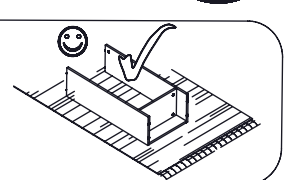
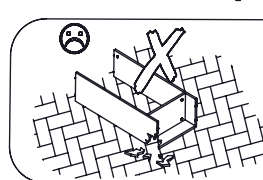
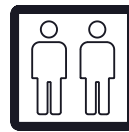
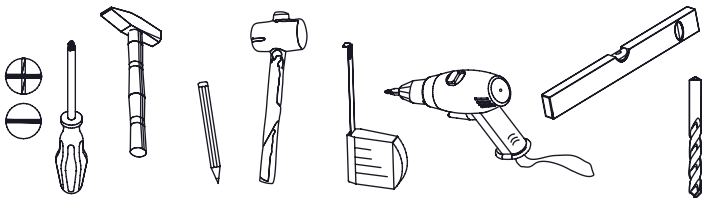
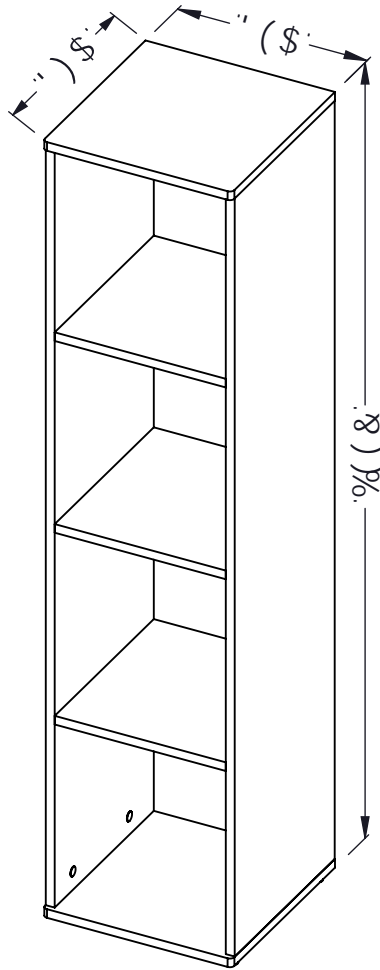
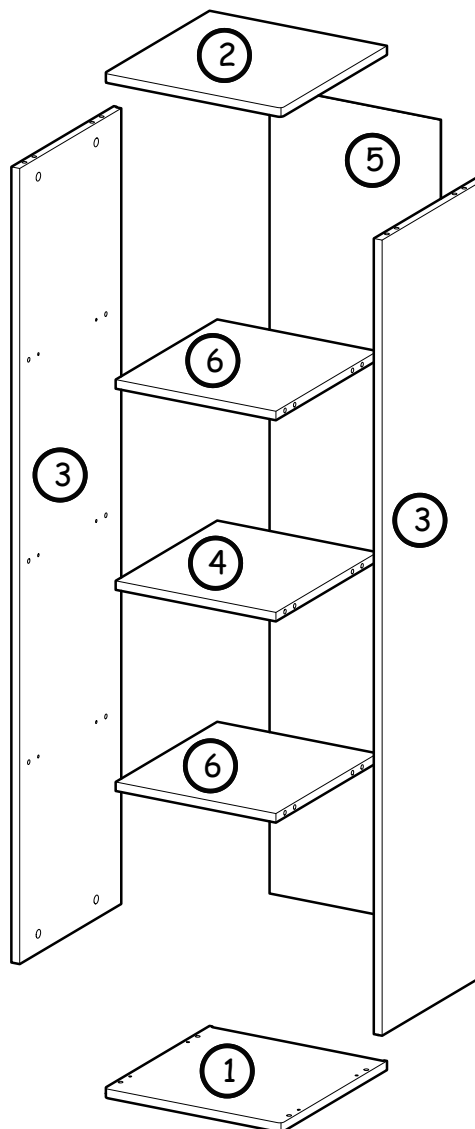








" t' f %  
" i mXCE " c X μ c³μ a



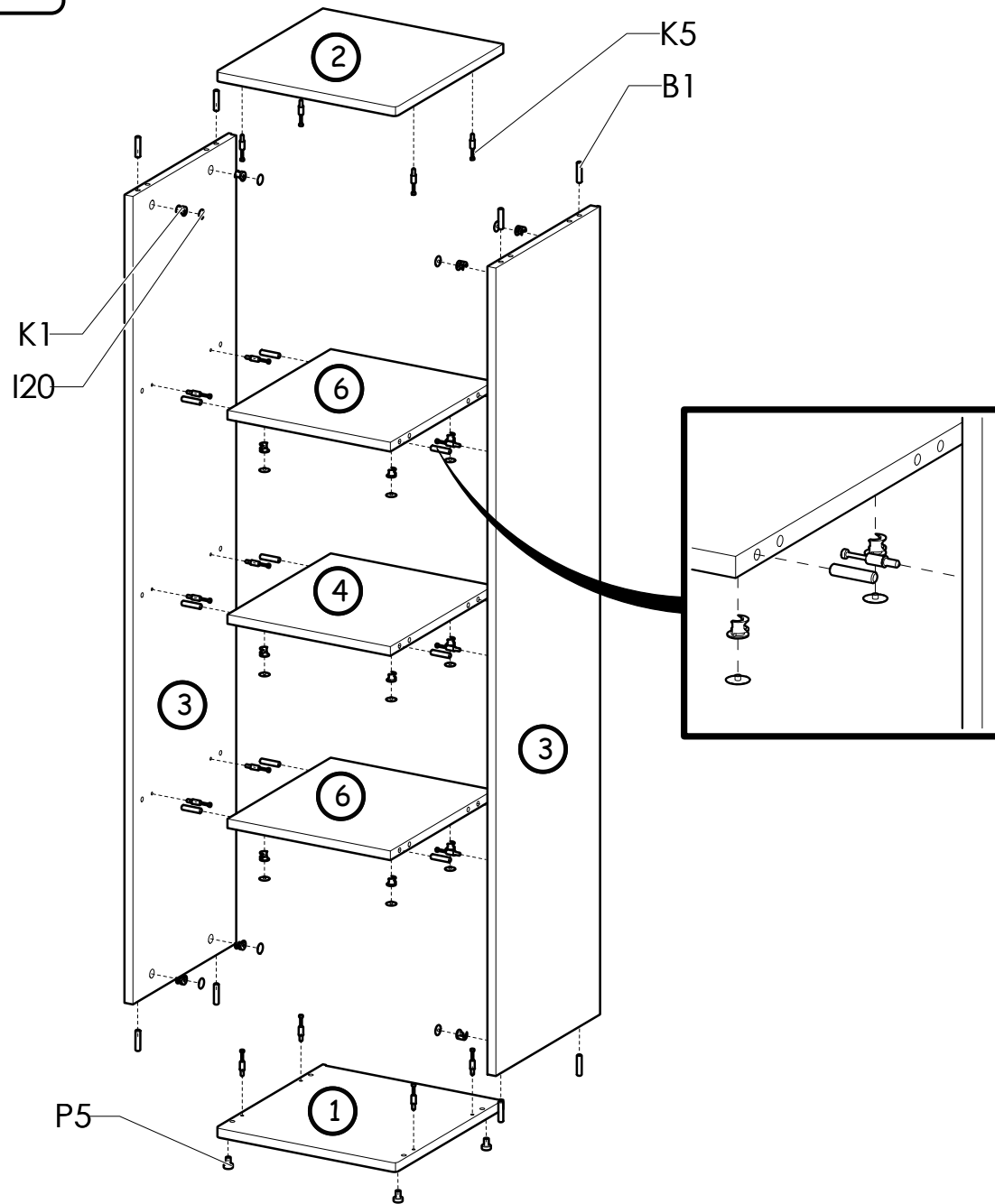


Nr	Xmm	Ymm	Zmm	Szt.
1	340	350	16	1
2	340	350	16	1
3	1404	340	16	2
4	307	337	16	1
5	1424	327	2,5	1
6	307	337	16	2



<b>I20</b> 20 x Ø4/Ø17		<b>K5</b> 20 x 34mm		<b>K1</b> 20 x Ø15x12		<b>B1</b> 20 x Ø8x35		<b>W4</b> 49 x		<b>P5</b> 4 x	
------------------------------	---	---------------------------	---	-----------------------------	---	----------------------------	--	-------------------	---	------------------	---

I



II

