

h0@

) - U

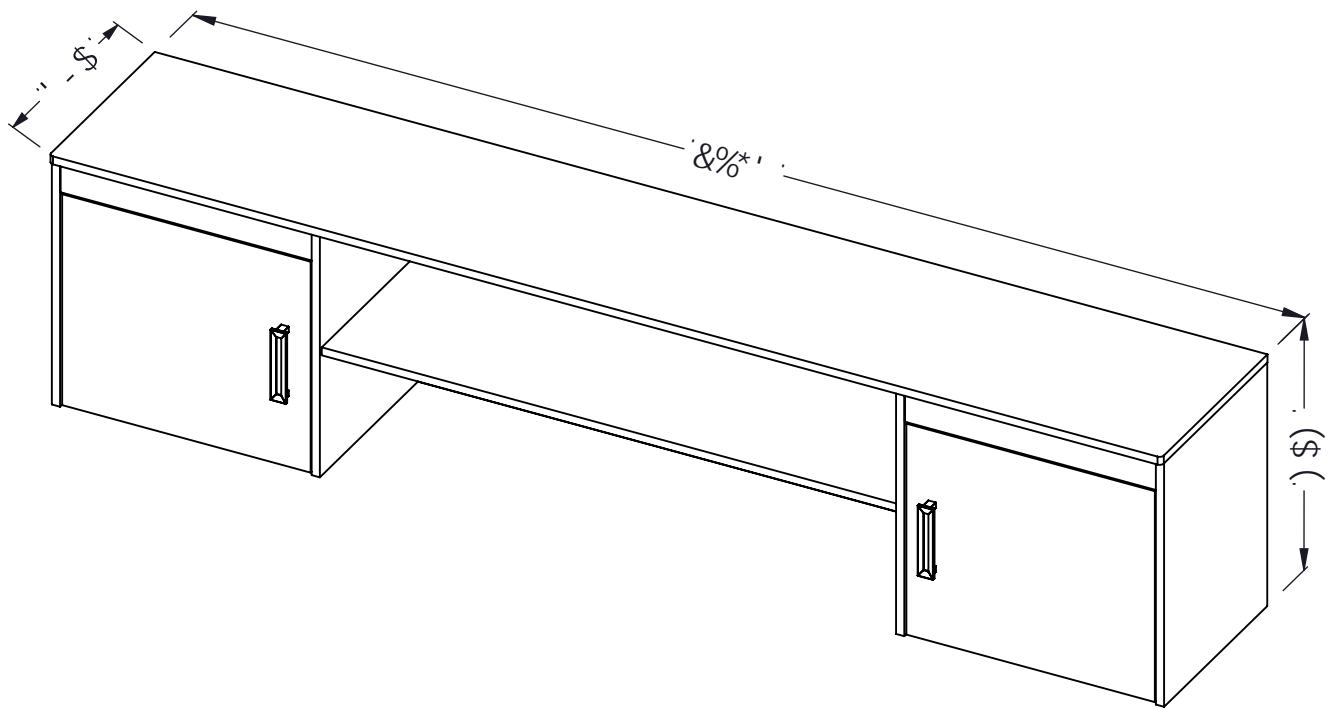
-V °

#- U

h0h  
-V "

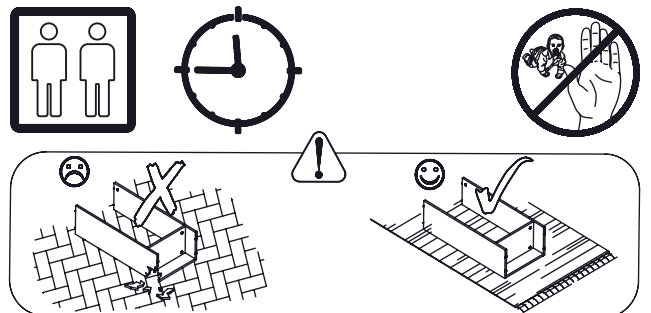
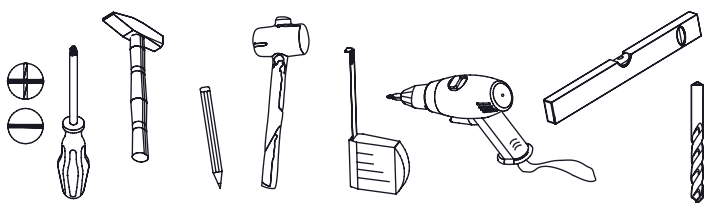
) - t  
#- h

" t' f† %oo  
" i oX' » c\$-cXj ¥a



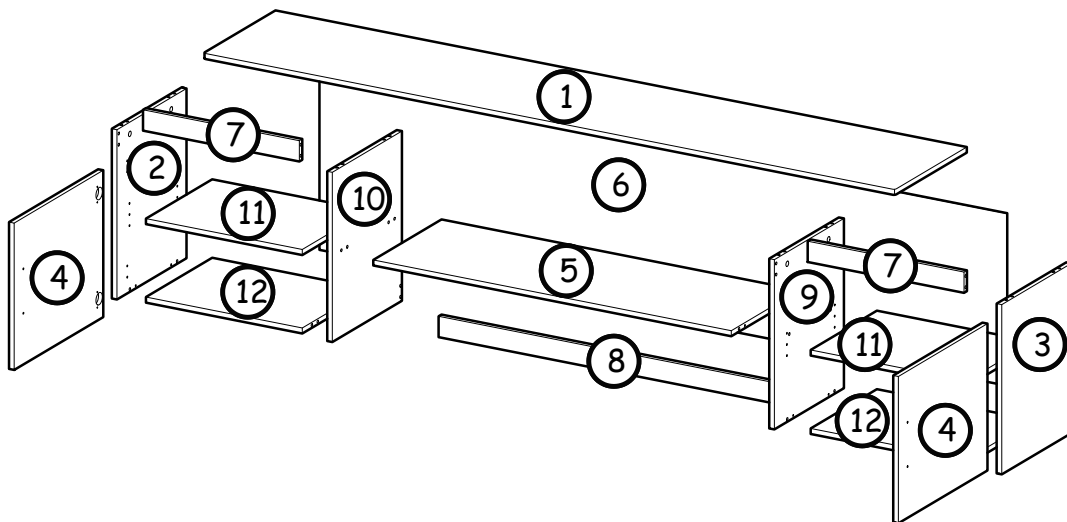
h0V








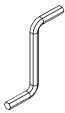




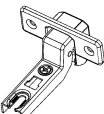
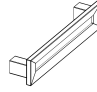


) - 7 U



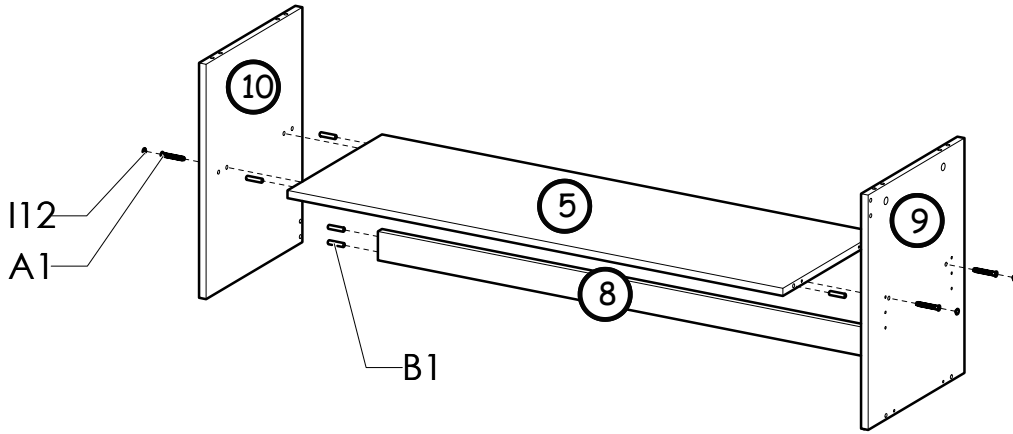


Nr	Xmm	Ymm	Zmm	Szt.
1	2163	390	16	1
2	489	380	16	1
3	489	380	16	1
4	423	483	16	2
5	1120	370	16	1
6	2150	496	2,5	1
7	489	60	16	2
8	1120	60	16	1
9	489	377	16	1
10	489	377	16	1
11	489	359	16	2
12	489	359	16	2

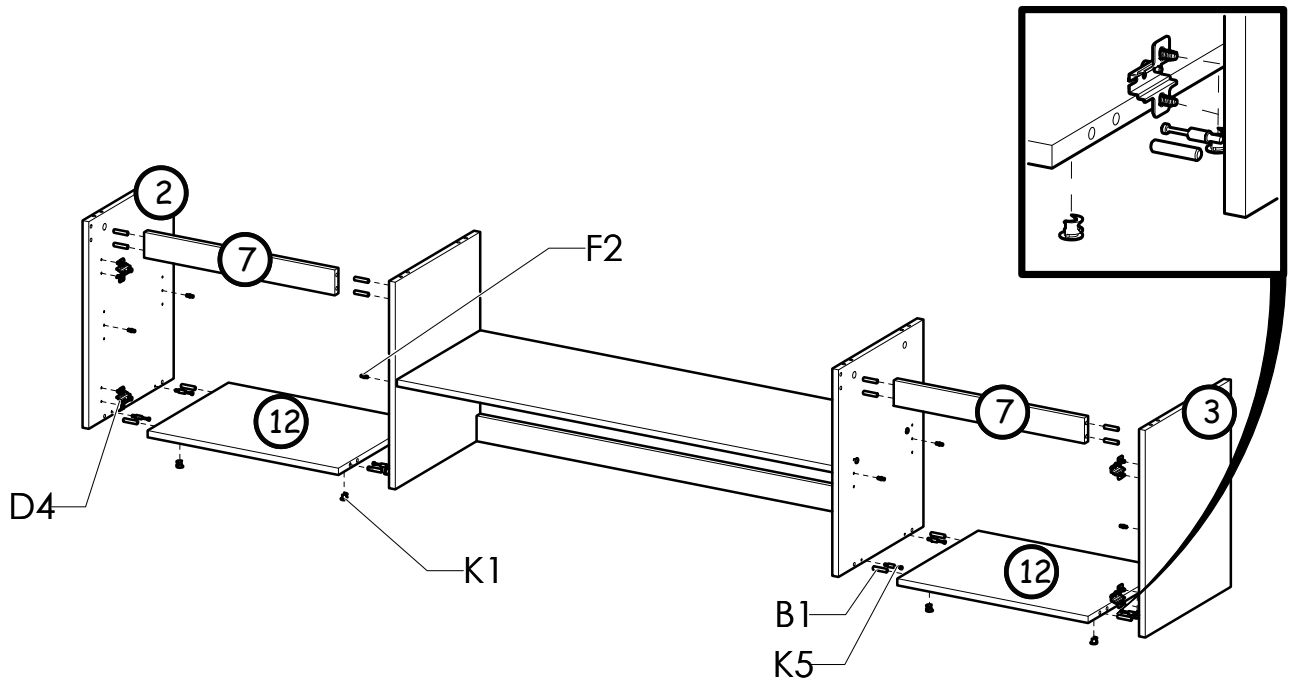


<b>K1</b>  16 x Ø15x12	<b>K5</b>  16 x 34mm	<b>I20</b>  8 x Ø4/Ø17	<b>B1</b>  32 x Ø8x35	<b>I12</b>  4 x Ø4/Ø10	<b>A1</b>  4 x Ø7x50
<b>W4</b>  68 x	<b>W2</b>  1 x 4mm	<b>N7</b>  2 x Ø8x30-36	<b>F2</b>  8 x Ø5	<b>D4</b>  4 x	<b>G34</b>  8 x 3,5x16
<b>C4</b>  4 x	<b>E40</b>  2 x 128mm	<b>N15</b>  4 x M4x25	<b>G6</b>  9 x 3x13		

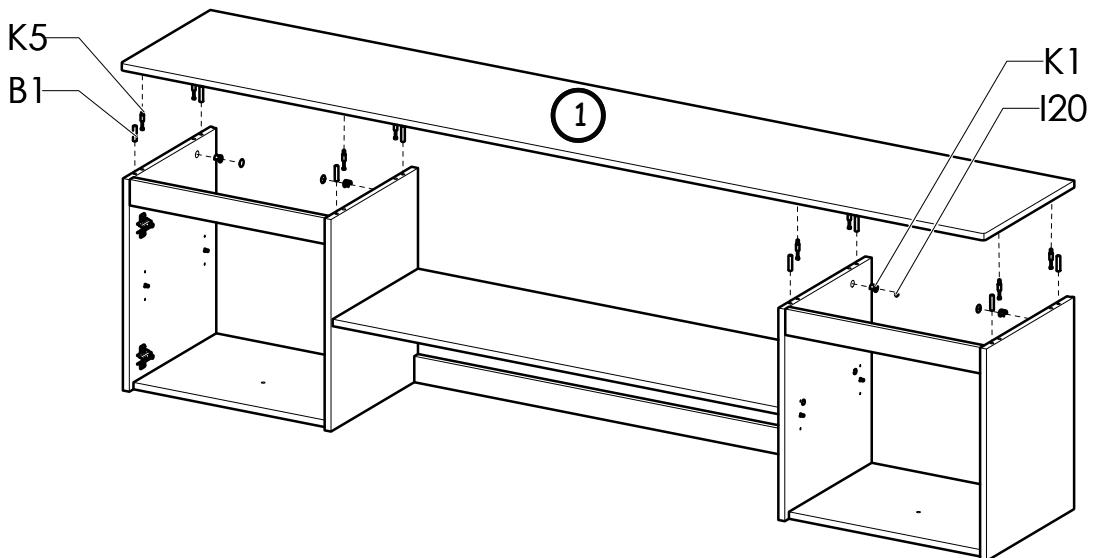
I



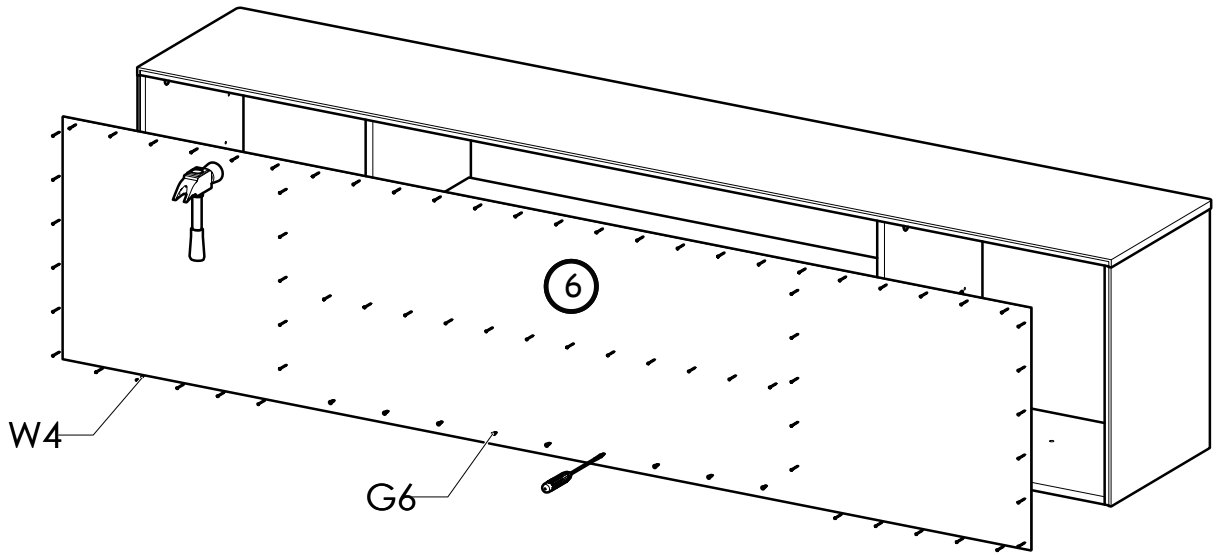
II



III



IV



V

