

h0@

) - U

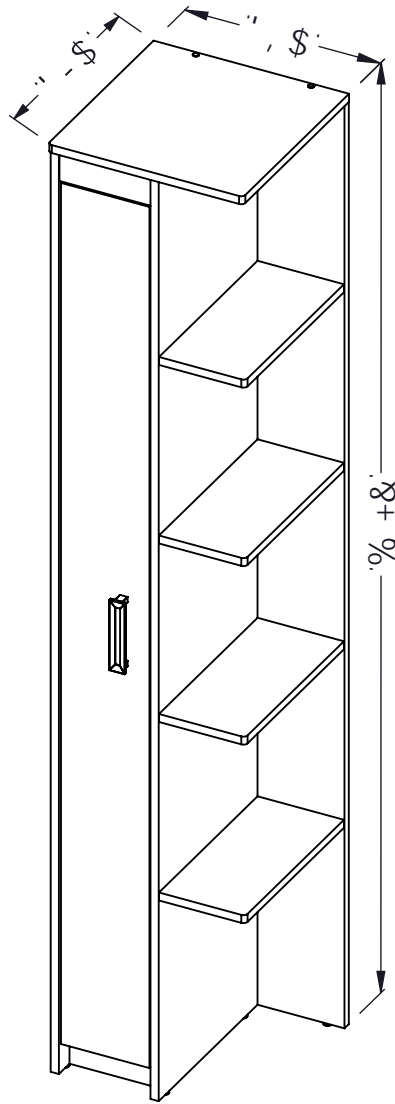
-V

#- U

h0h
-V

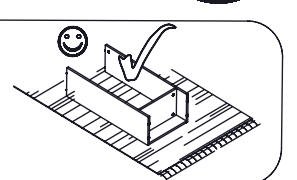
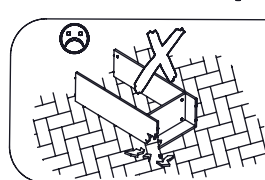
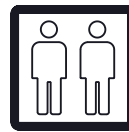
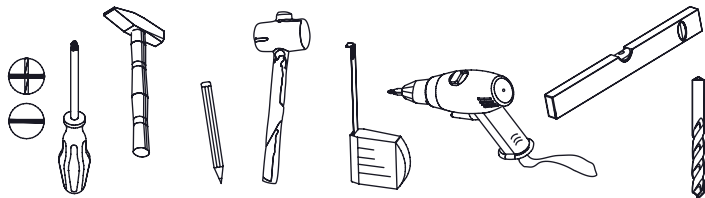
) - t
#- h

" t' f %
" mX CE " c X Ya

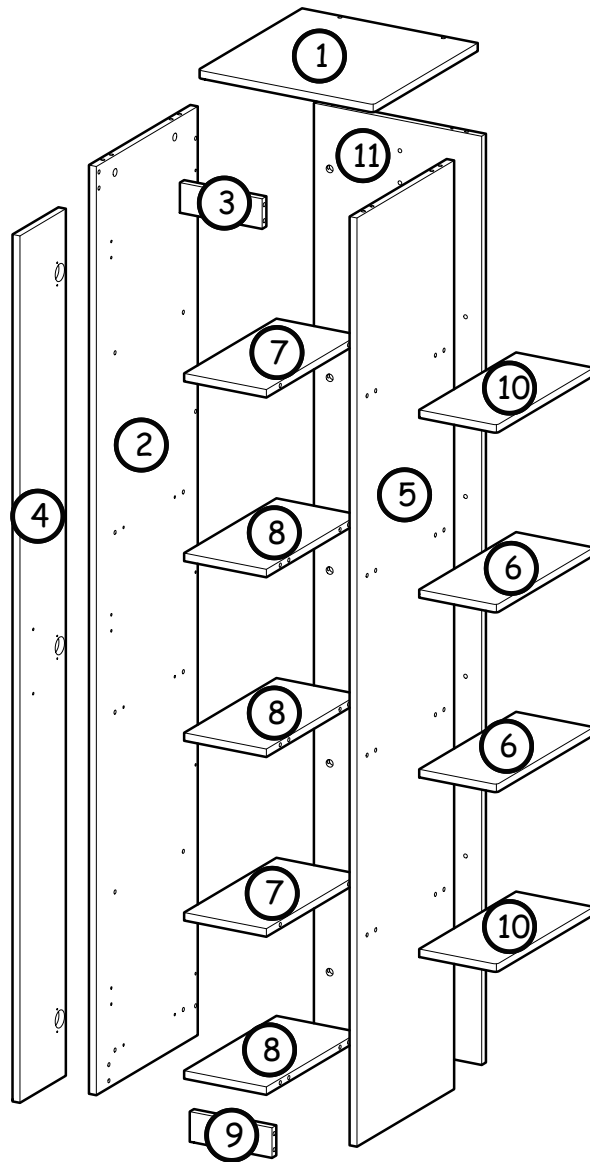









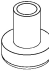
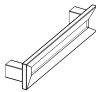

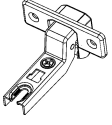


h0V

) - 7 U

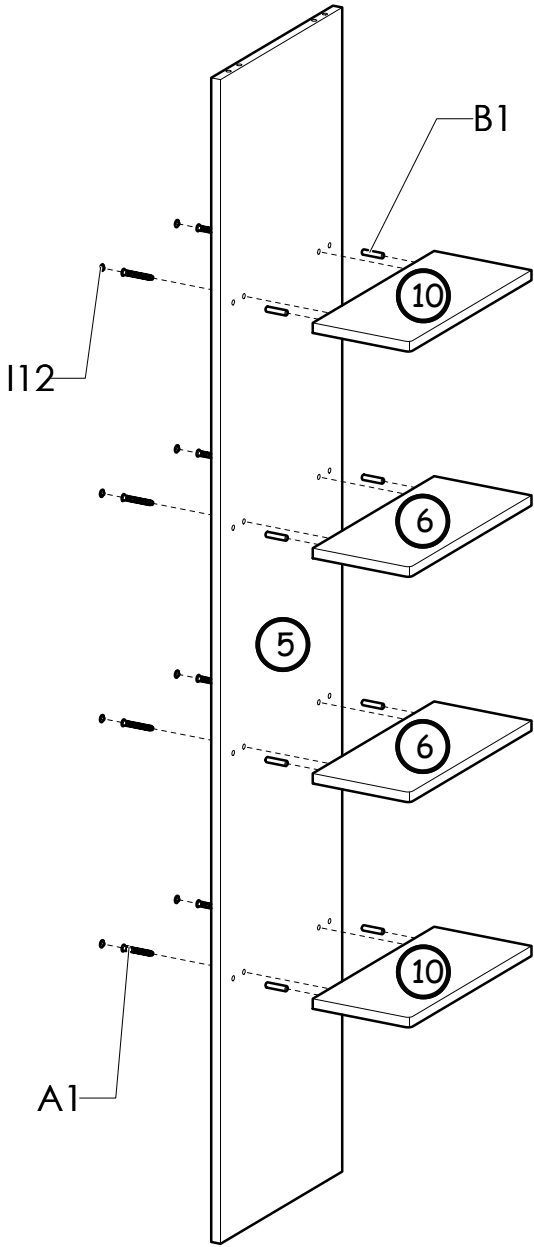


Nr	Xmm	Ymm	Zmm	Szt.
1	380	390	16	1
2	1850	380	16	1
3	178	60	16	1
4	1727	172	16	1
5	1850	364	16	1
6	168	363	16	2
7	178	346	16	2
8	178	346	16	3
9	178	60	16	1
10	168	363	16	2
11	1850	363	16	1

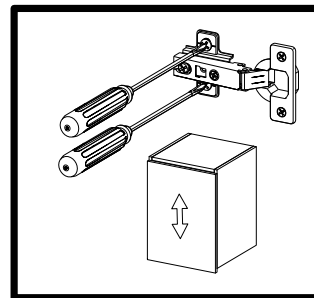
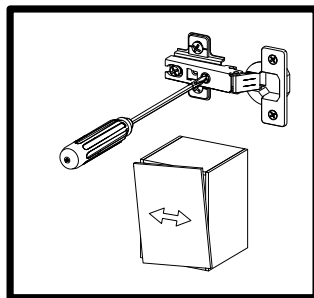
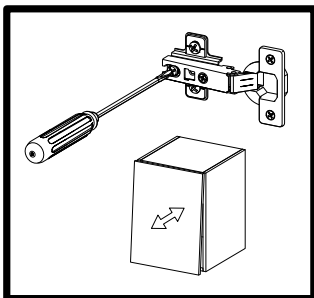
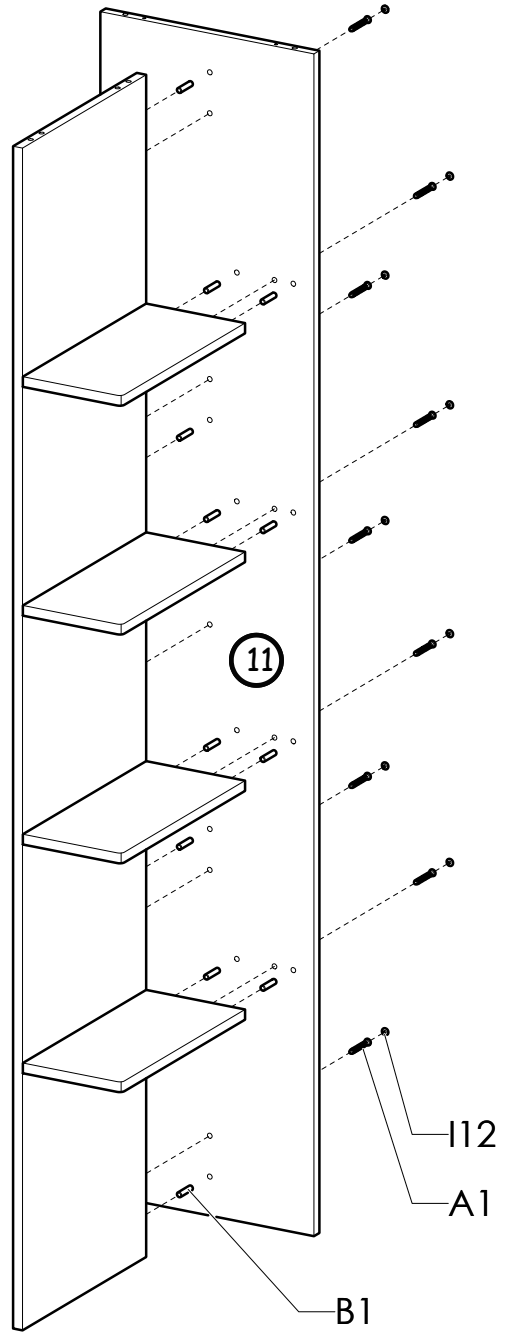


A1  19 x ø7x50	I12  19 x ø4/ø10	I20  21 x ø4/ø17	K5  21 x 34mm	K1  21 x ø15x12	B1  58 x ø8x35
W2  1 x 4mm	P5  6 x	E40  1 x 128mm	N15  2 x M4x25	C4  3 x	G34  6 x 3,5x16
D4  3 x					

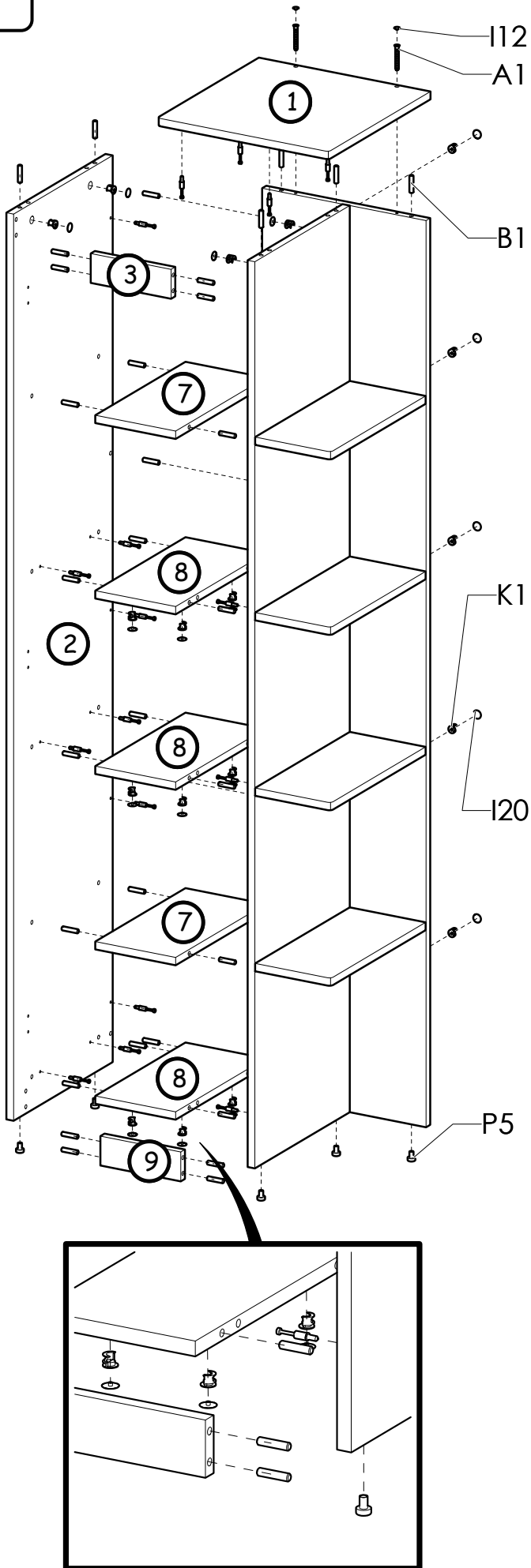
I



II



III



IV

