

h0@

) - U

-V "

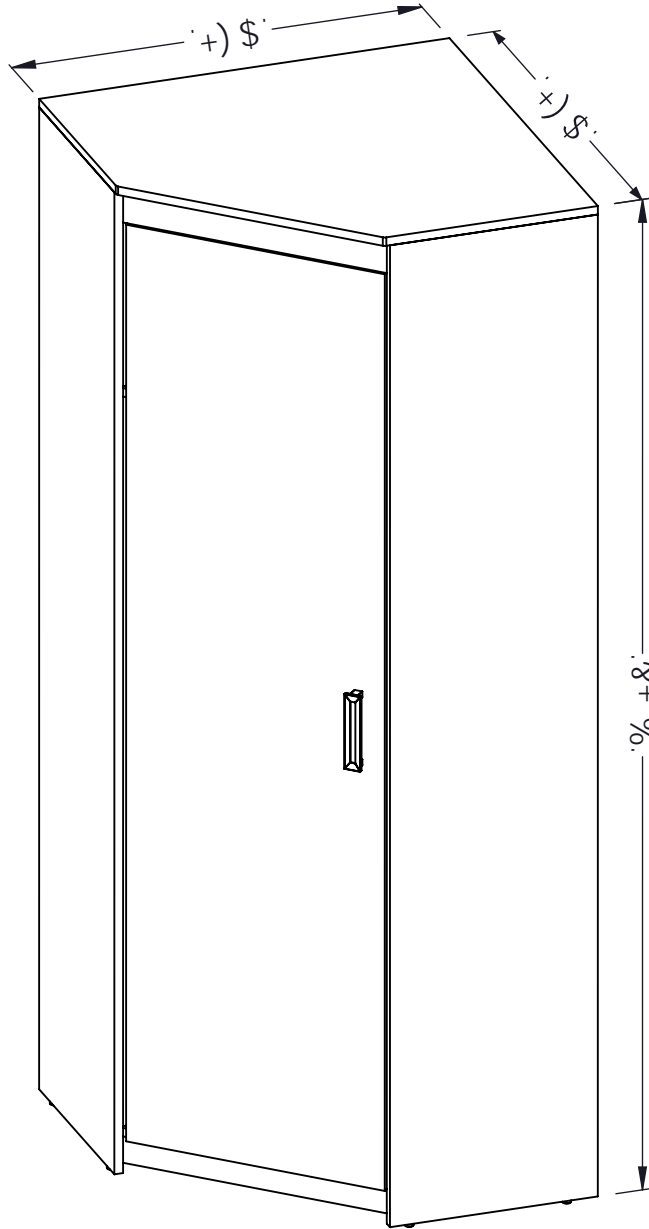
#- U

h0h  
-V "

) - t  
#- h

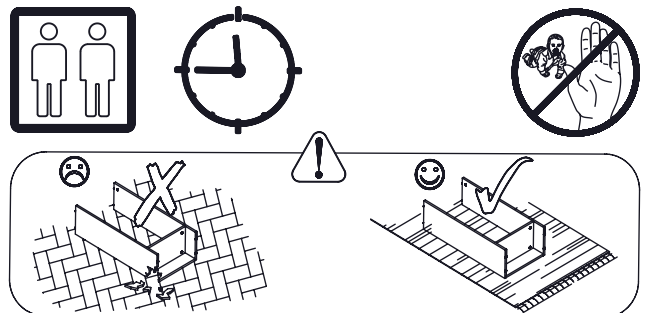
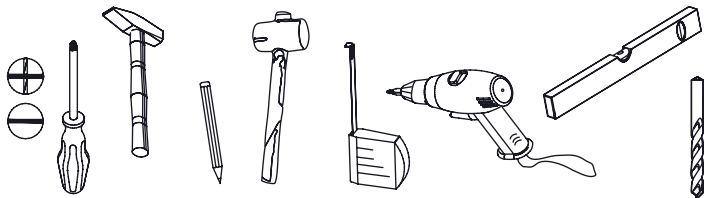


" t' f %  
" i kX ^ C<sup>3°</sup> - C X ¥a



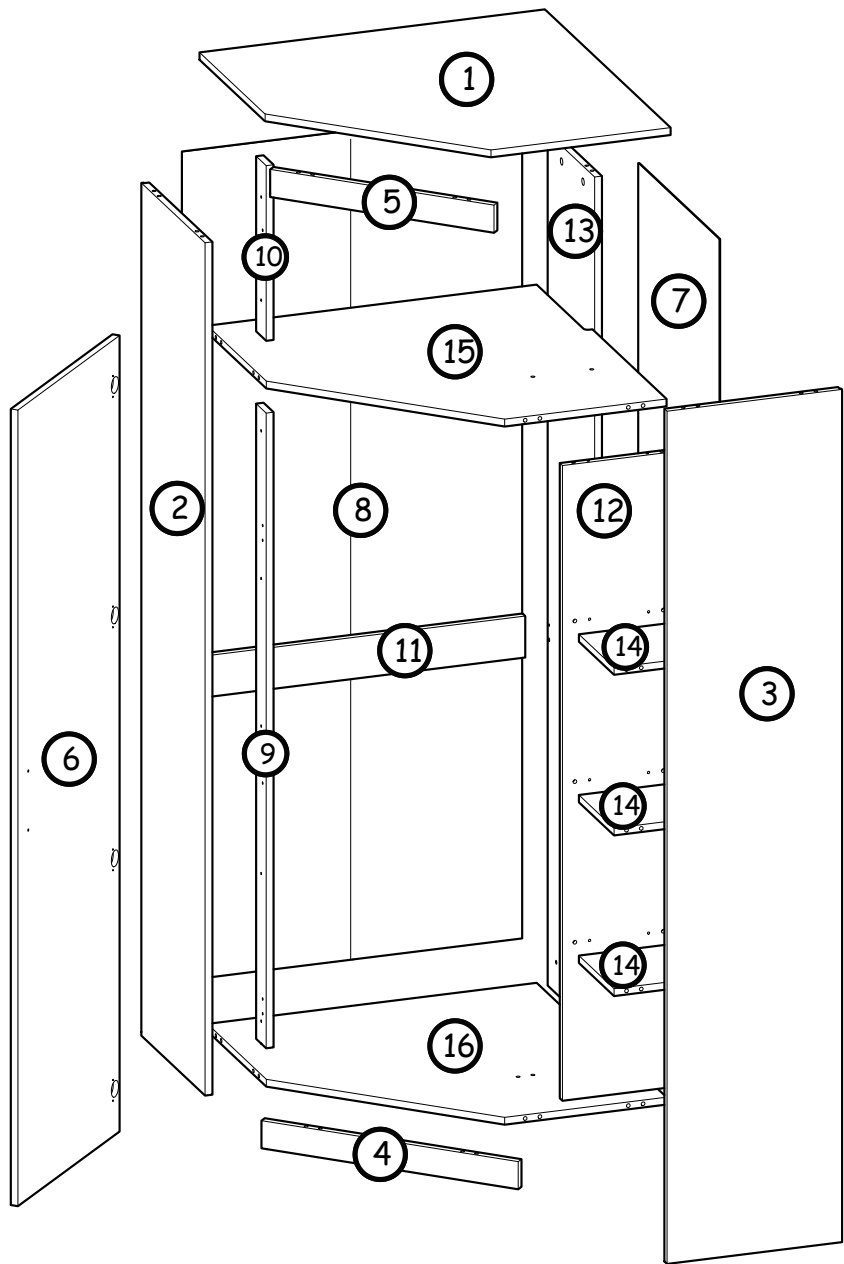
h0V

) - 7 U



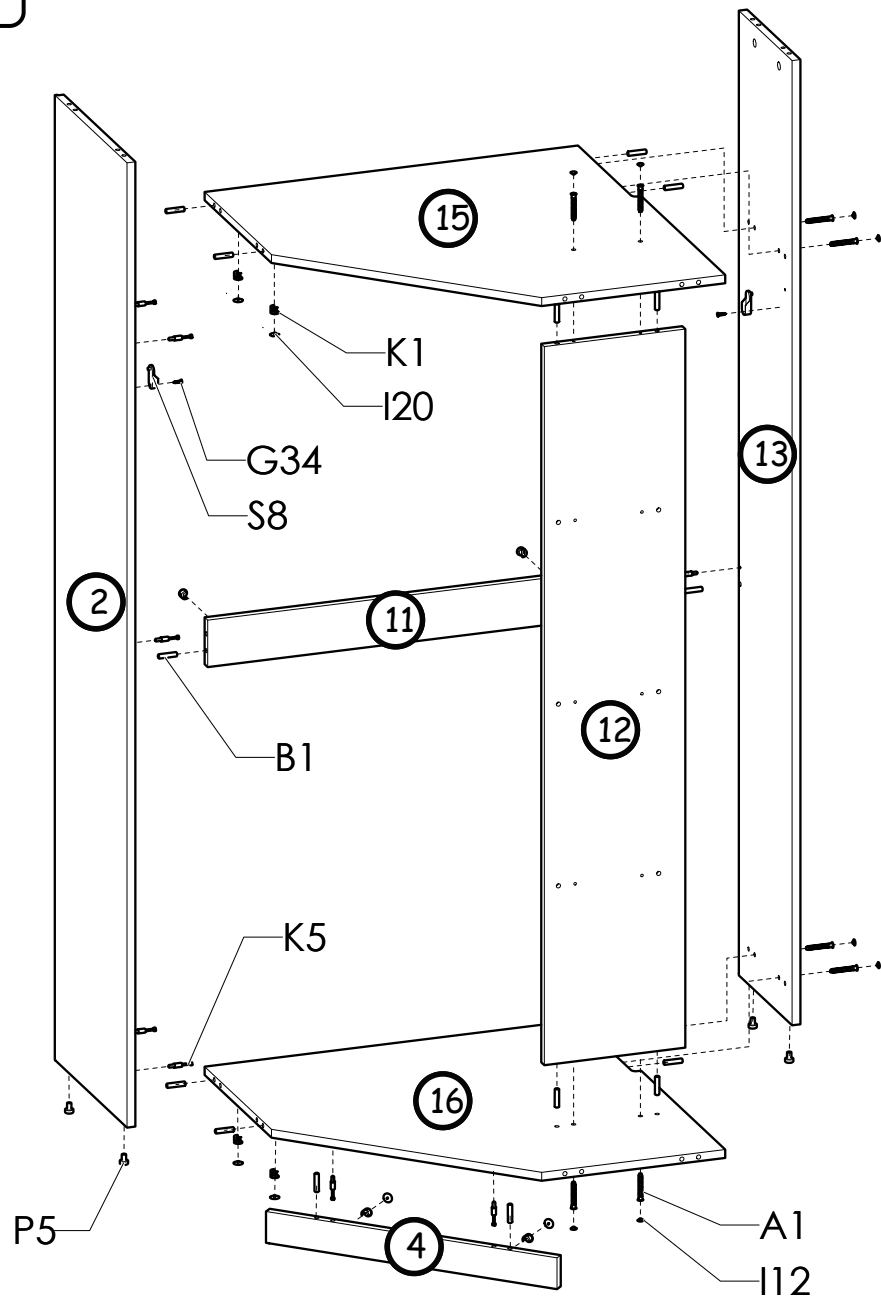


Nr	Xmm	Ymm	Zmm	Szt.
1	750	750	16	1
2	1850	380	16	1
3	1850	380	16	1
4	578	60	16	1
5	504	60	16	1
6	1727	493	16	1
7	1798	482	2,5	1
8	1798	738	2,5	1
9	1378	60	16	1
10	380	60	16	1
11	715	90	16	1
12	1378	270	16	1
13	1850	280	16	1
14	210	270	16	3
15	731	731	16	1
16	731	731	16	1

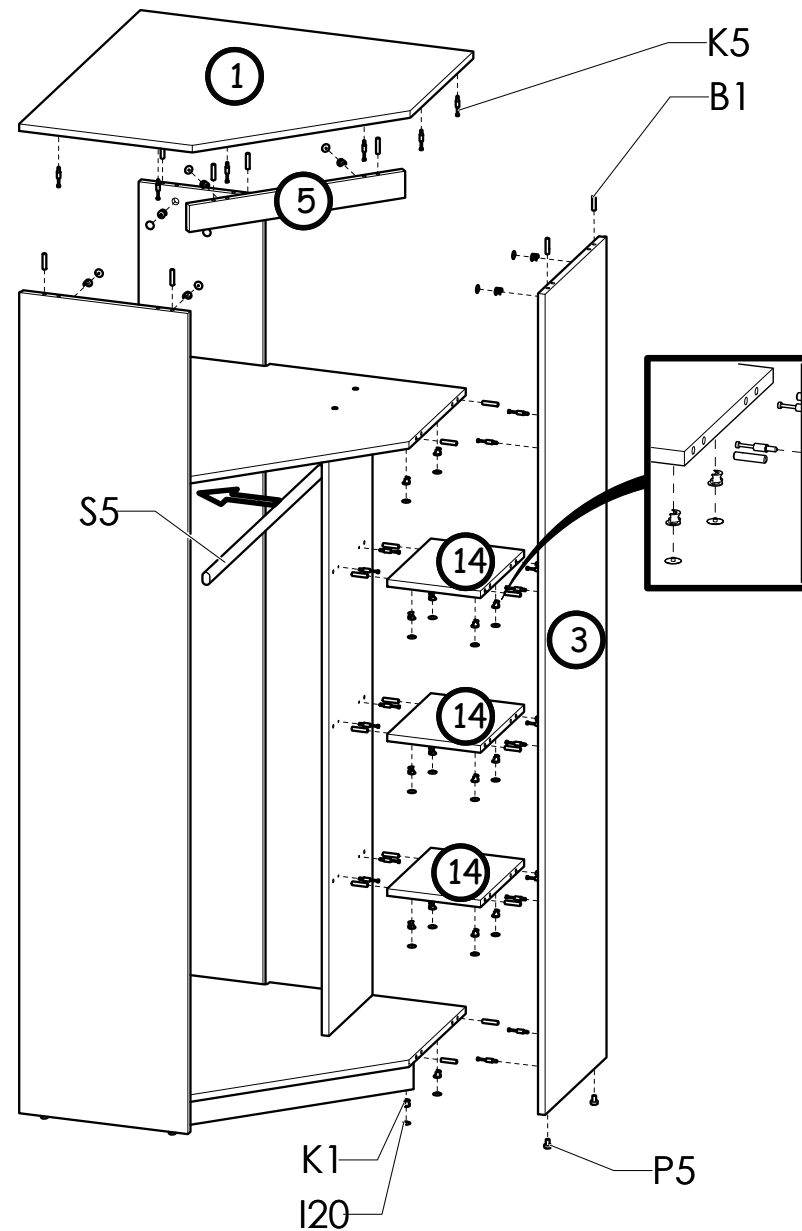


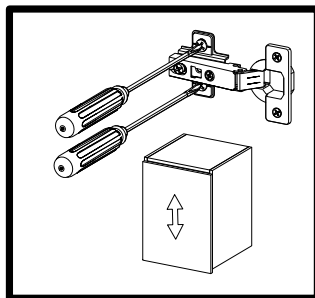
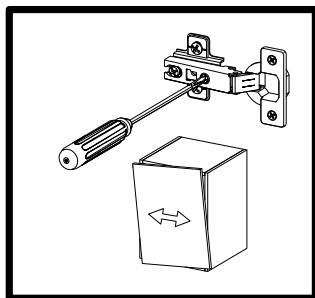
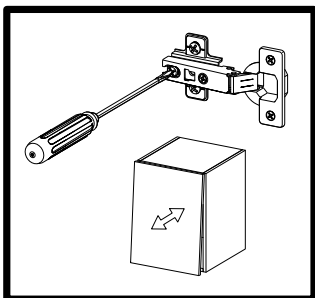
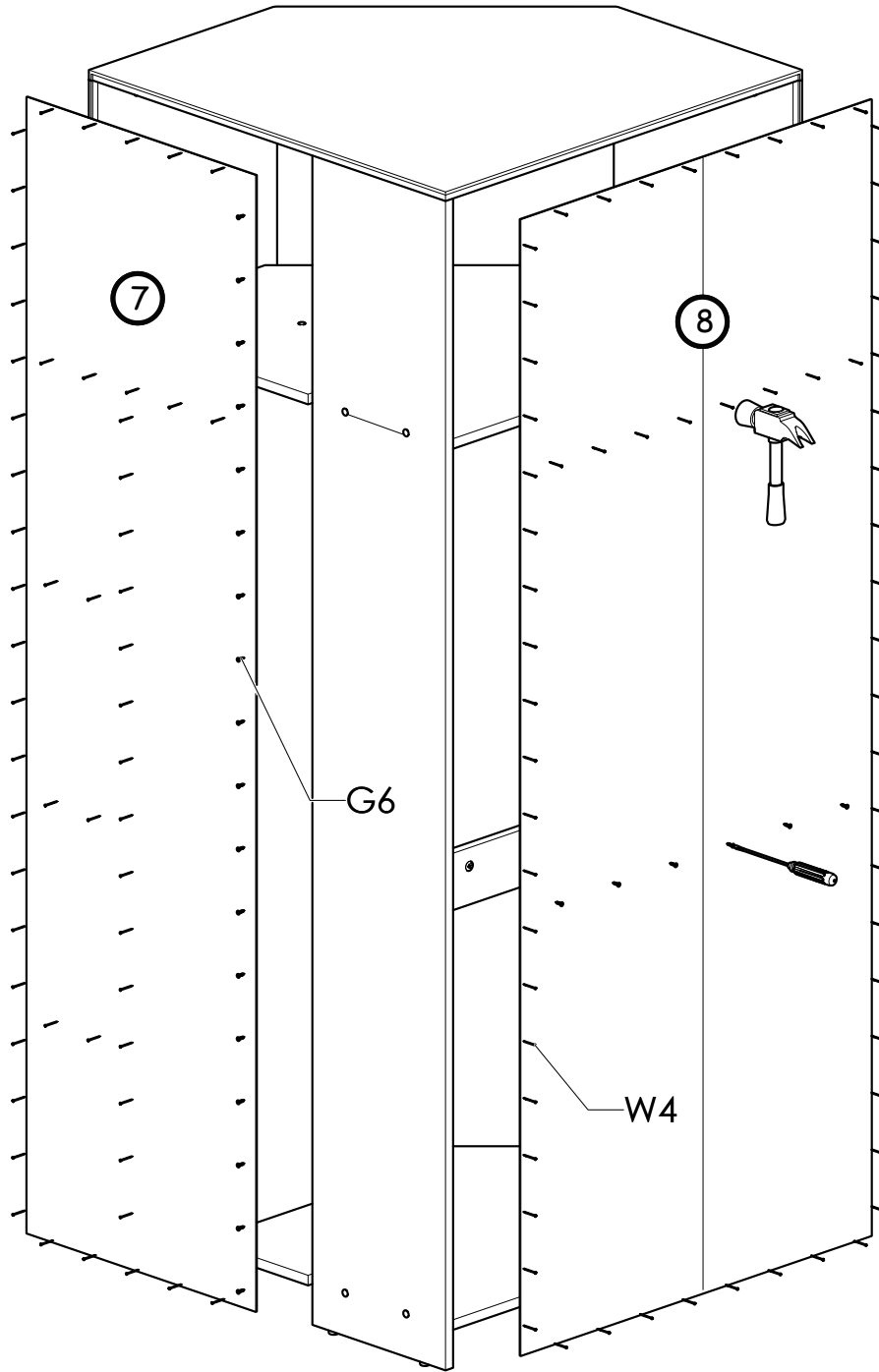
<b>G3</b> 7 x 4x30 	<b>W4</b> 120x 	<b>P5</b> 6 x 	<b>G6</b> 24 x 3x13 	<b>W2</b> 1 x 4mm 	<b>K5</b> 32 x 34mm 
<b>K1</b> 32 x Ø15x12 	<b>I20</b> 30 x Ø4/Ø17 	<b>B1</b> 40 x Ø8x35 	<b>A1</b> 8 x Ø7x50 	<b>I12</b> 8 x Ø4/Ø10 	<b>S8</b> 2 x 
<b>G34</b> 10 x 3,5x16 	<b>S5</b> 1 x 707mm 	<b>N15</b> 2 x M4x25 	<b>D12</b> 4 x 	<b>C12</b> 4 x 	<b>E40</b> 1 x 128mm 

I

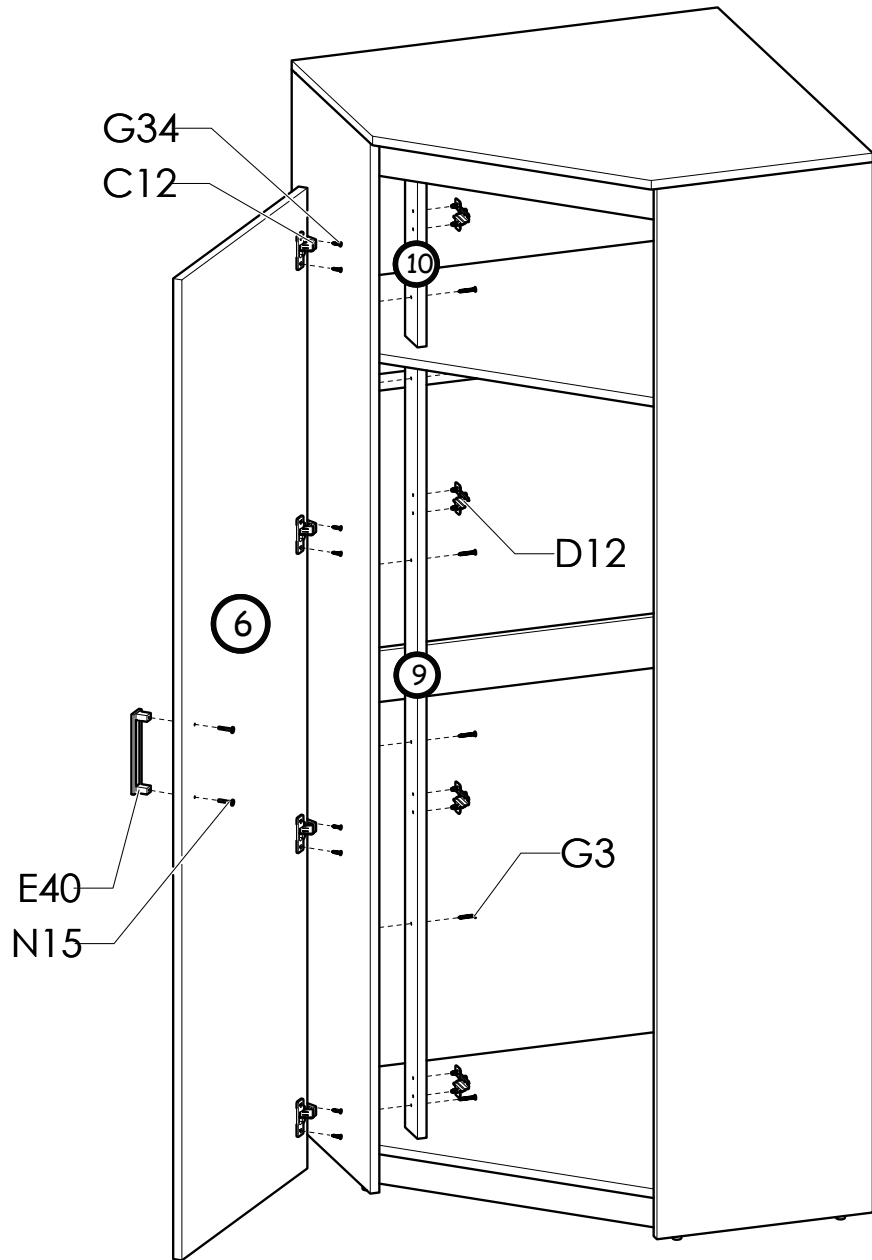


II





IV a L



IV b P

