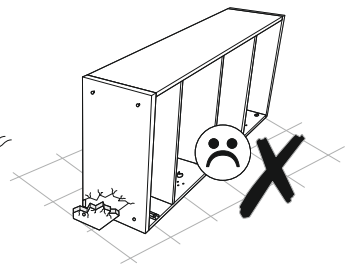
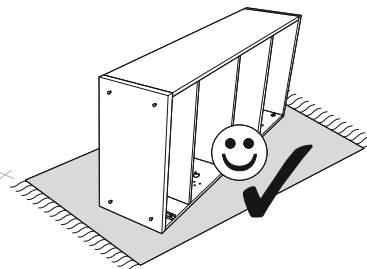
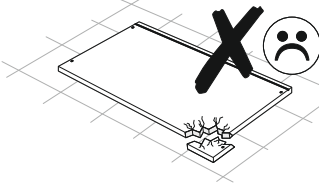
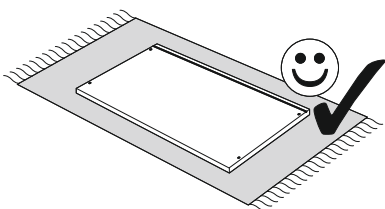
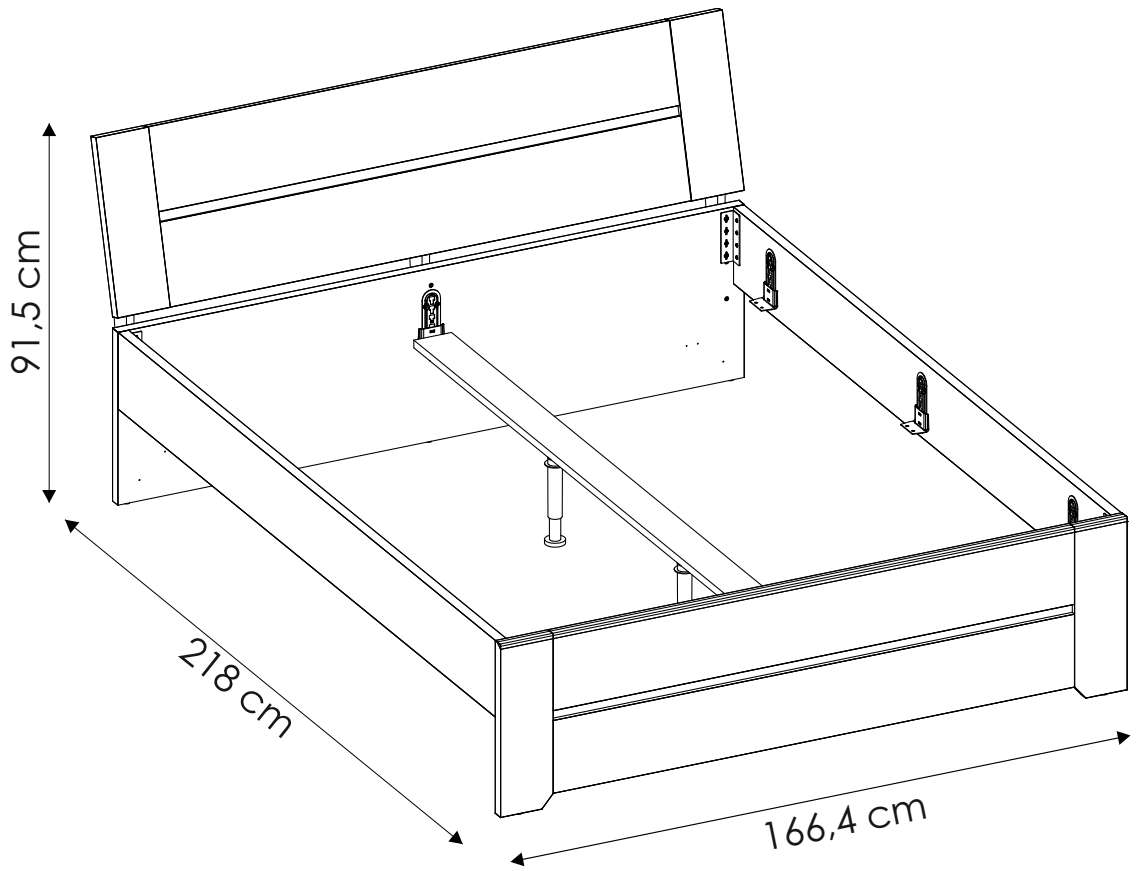
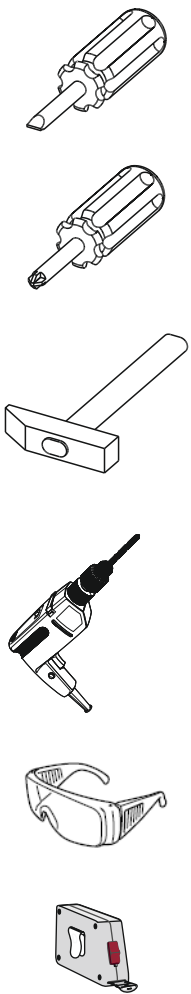
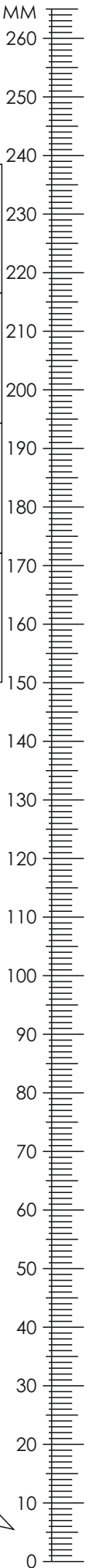




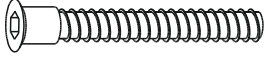


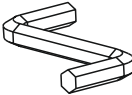

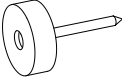
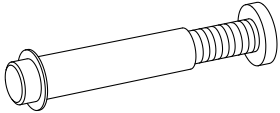
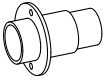

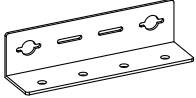
# ANGEL 92

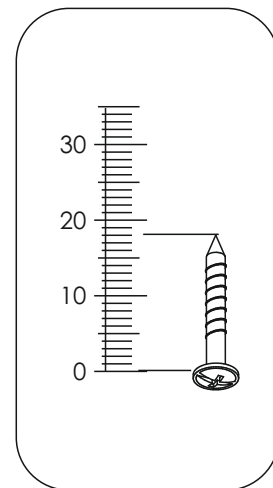




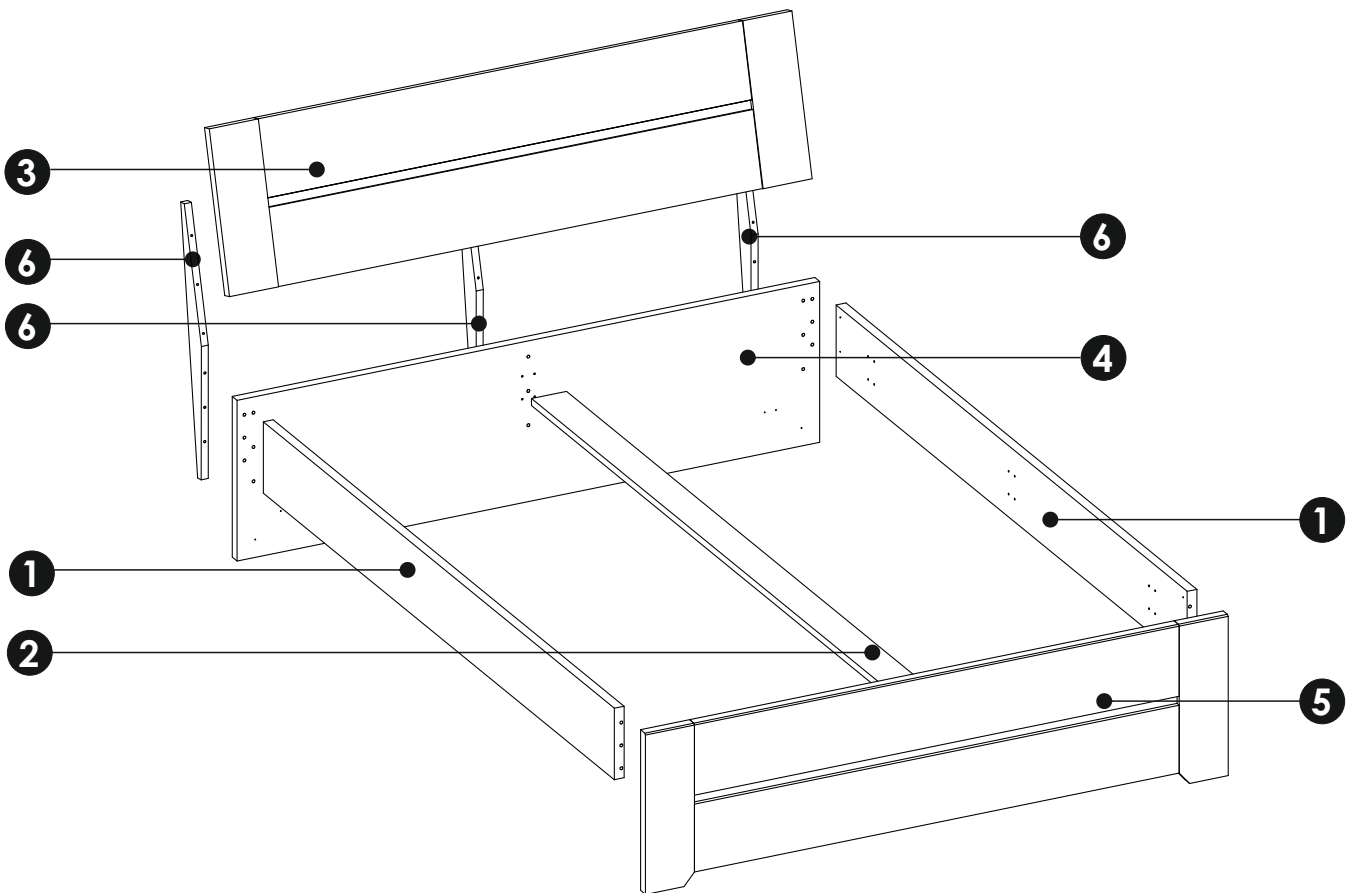
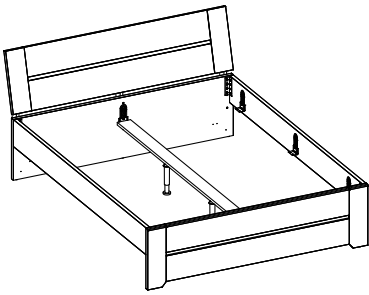
# ANGEL 92



<b>A1</b> $\varnothing 8 \times 35 \text{ mm}$ x12 	<b>C5</b> $5 \times 16 \text{ mm}$ x32 	<b>G1</b> $\varnothing 7 \times 50 \text{ mm}$ x9 
<b>I8</b> $4 \times 20 \text{ mm}$ x36 	<b>J6</b> $4 \times 35 \text{ mm}$ x9 	<b>M</b> x1 
<b>N2</b> $3,5 \times 16 \text{ mm}$ x16 	<b>O2</b> x5 	<b>O20</b> x2 
<b>O21</b> x2 	<b>X5</b> x8 	<b>X6</b> x4 

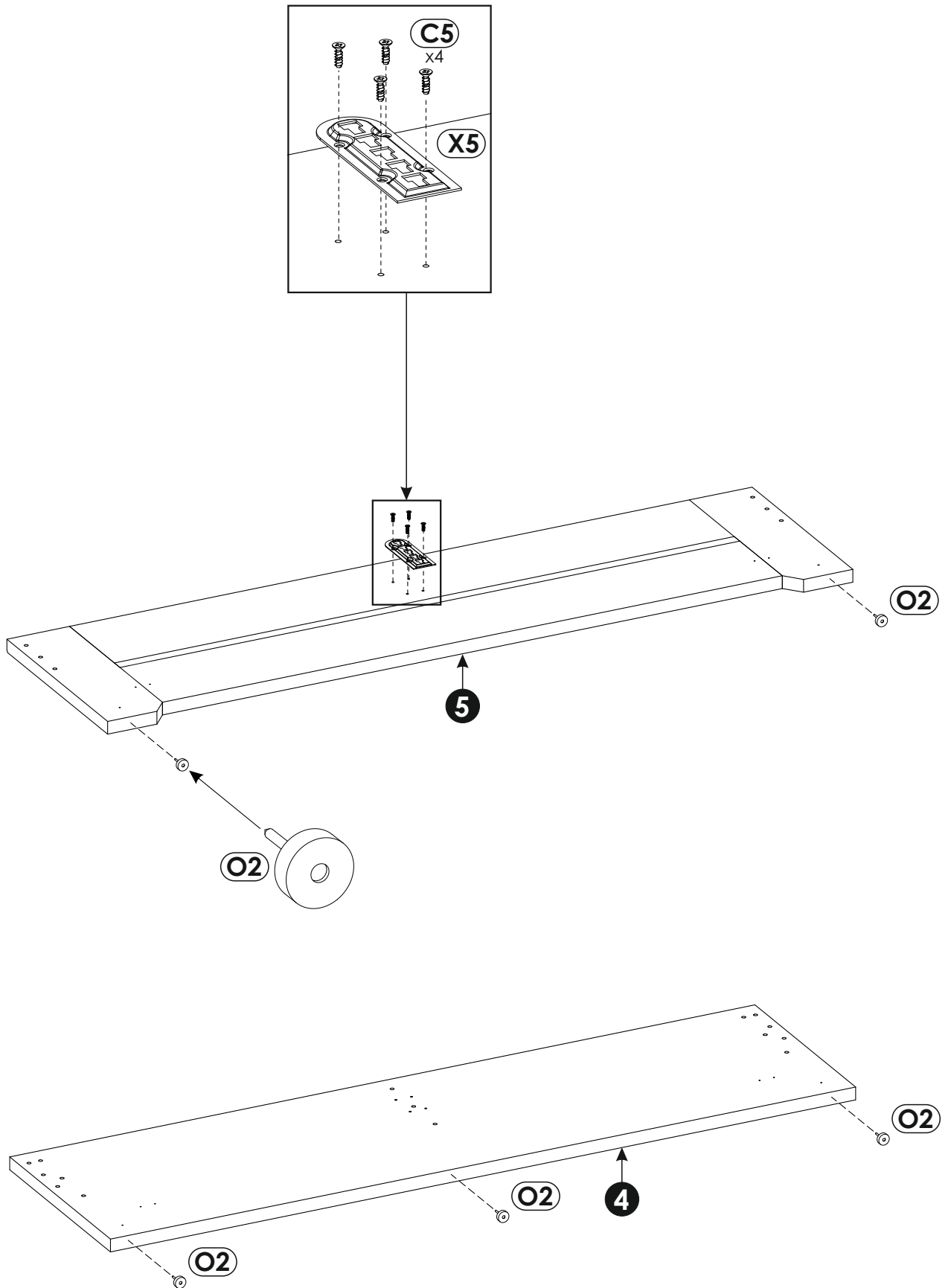


# ANGEL 92

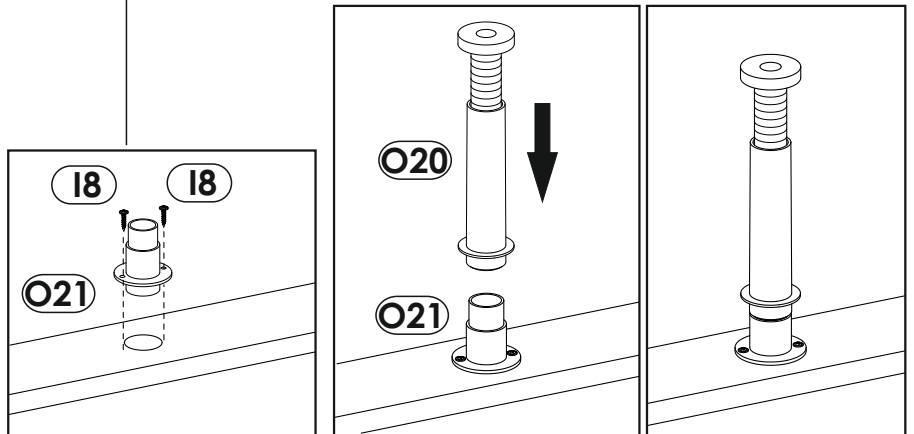
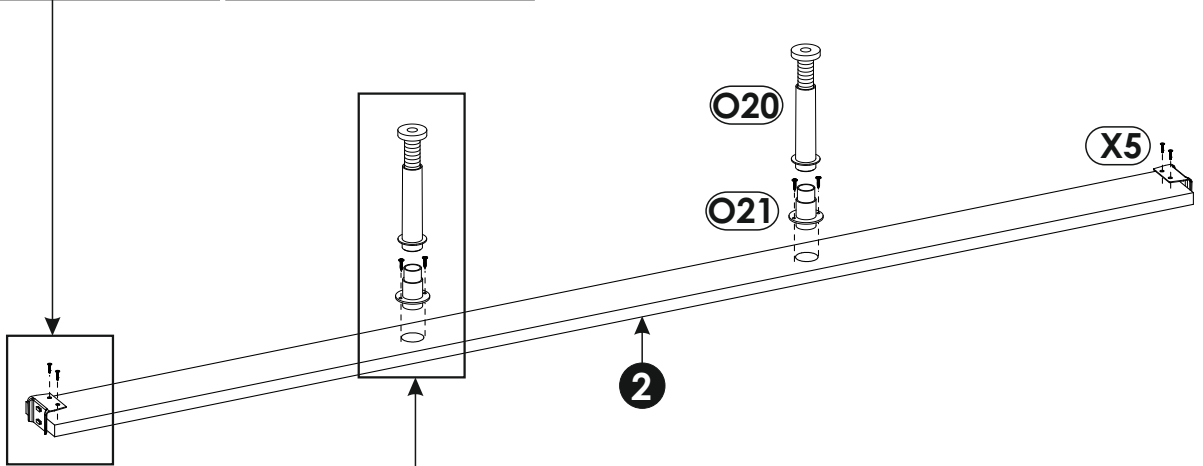
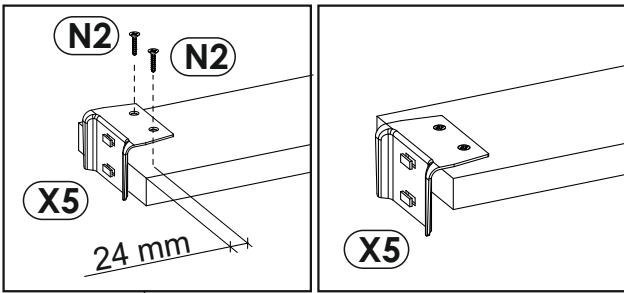
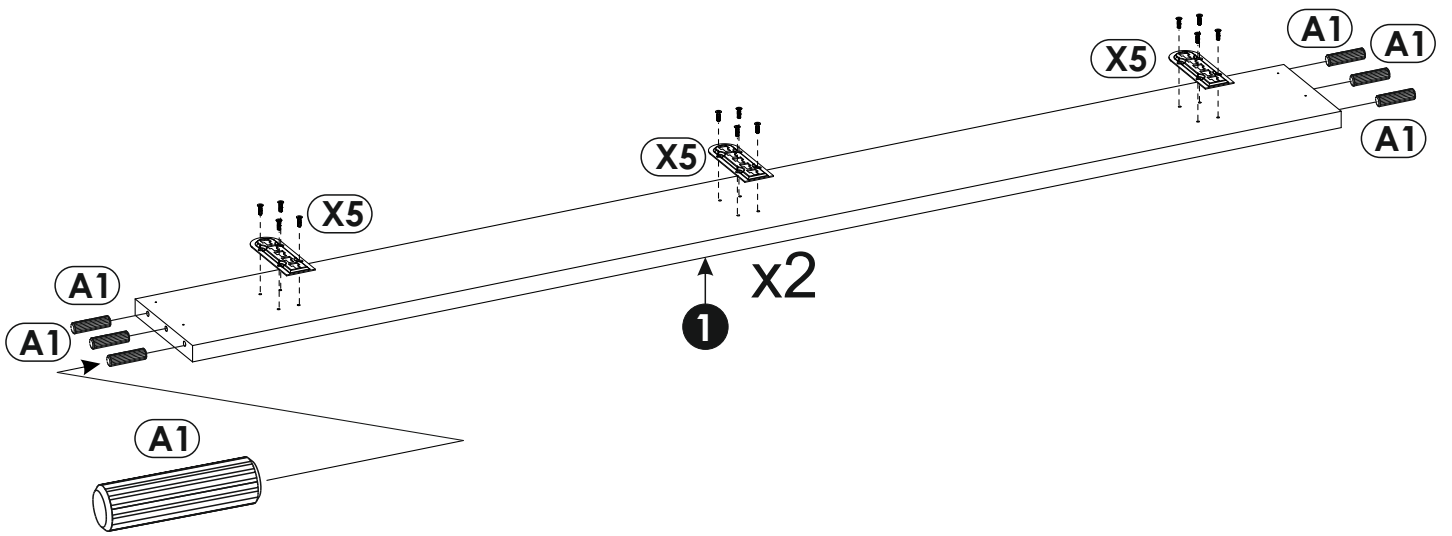


<b>1</b>	2005	200	28	x2	1/3
<b>2</b>	1988	100	20	x1	1/3
<b>3</b>	1664	439	28	x1	2/3
<b>4</b>	1664	450	28	x1	3/3
<b>5</b>	1664	450	28	x1	2/3
<b>6</b>	740	70	20	x3	1/3

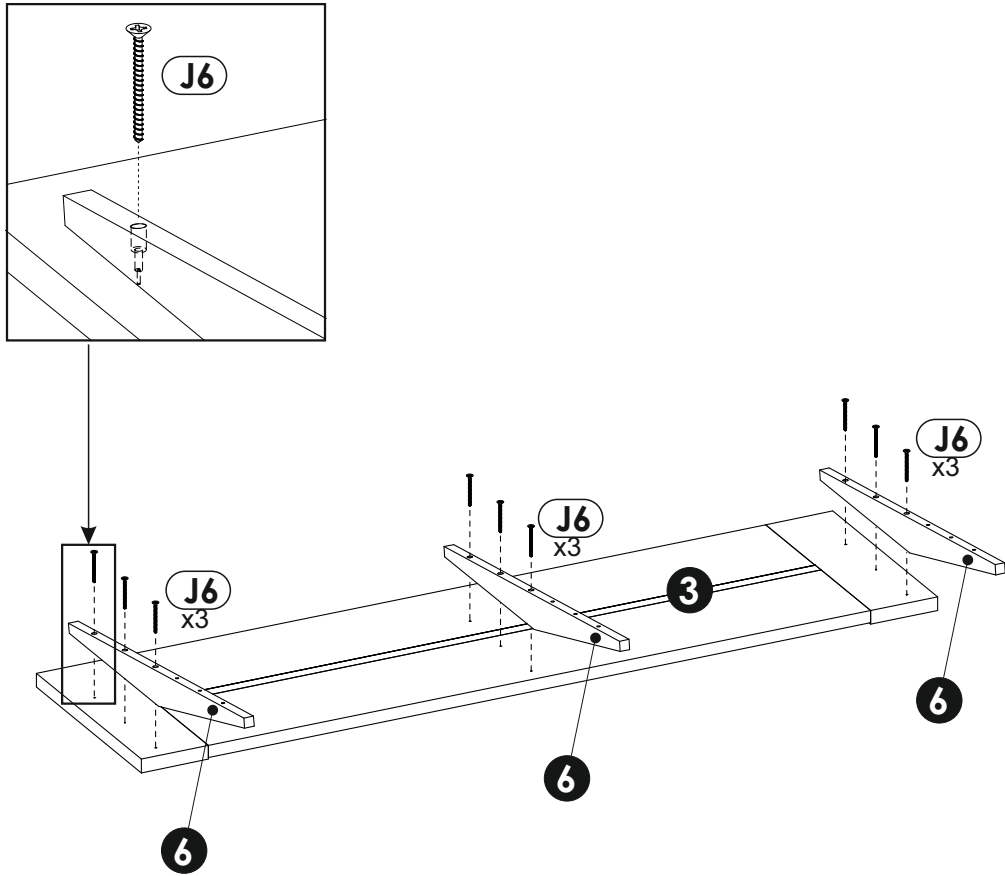
1 ▶



2 ▶



3 ▶



4 ▶

