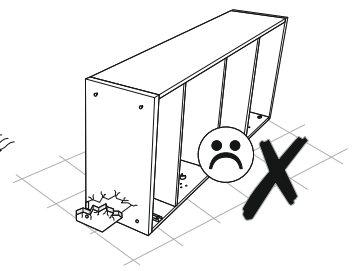
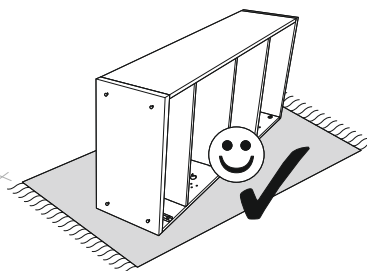
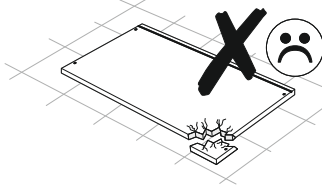
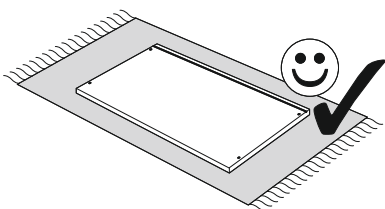
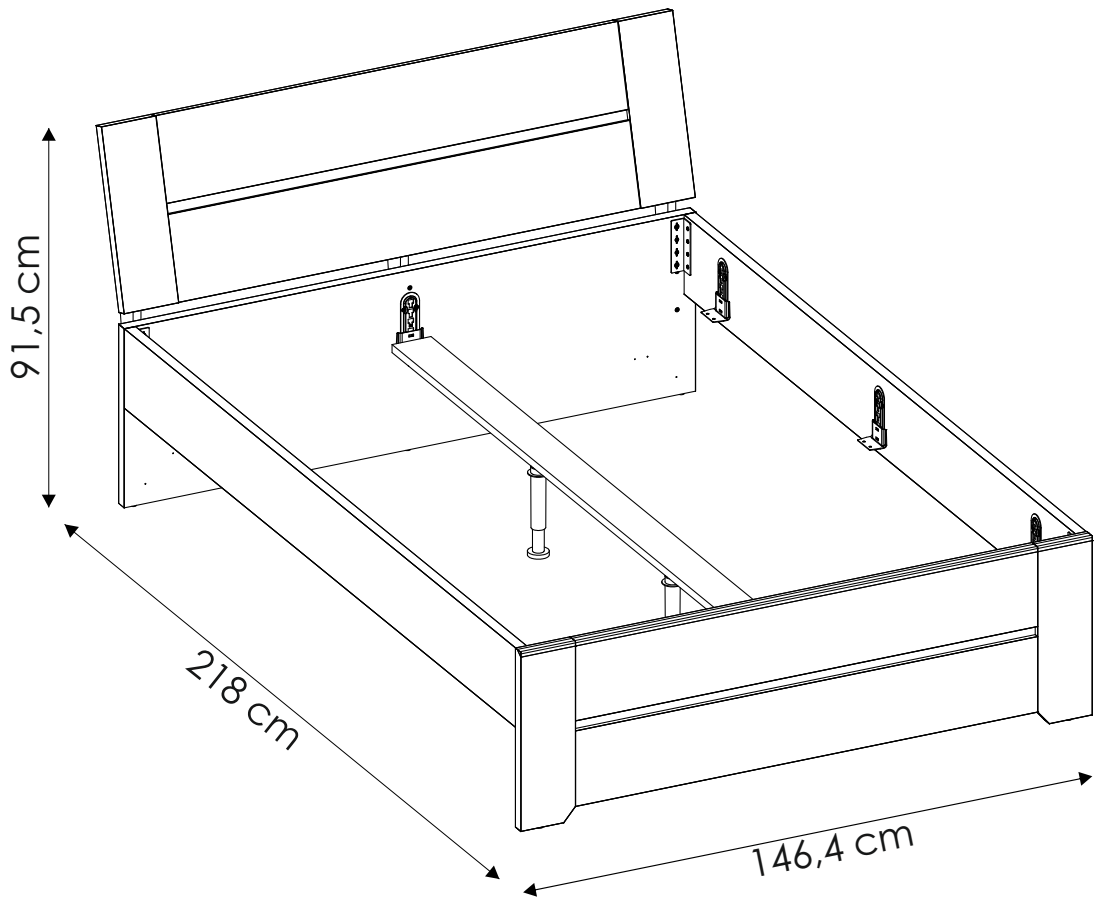
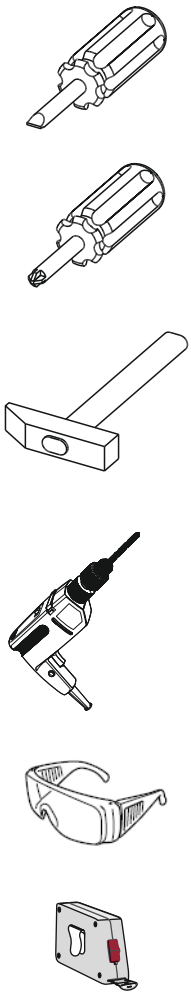
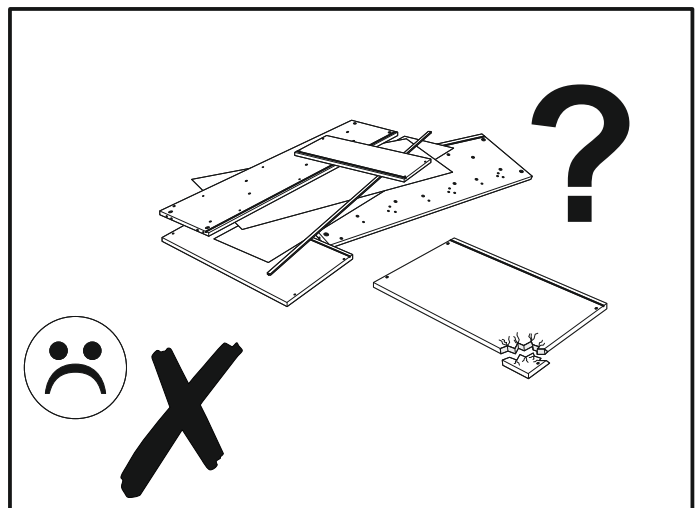
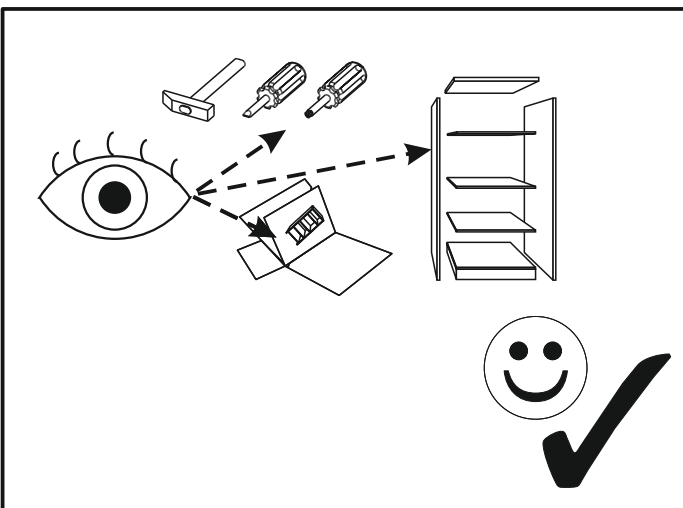
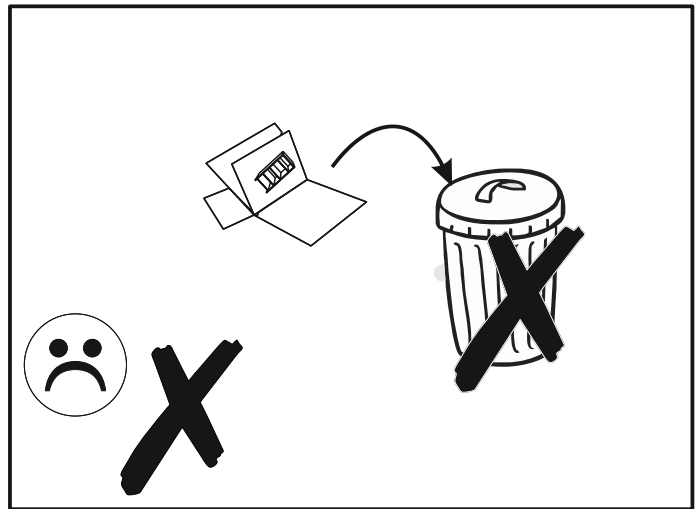
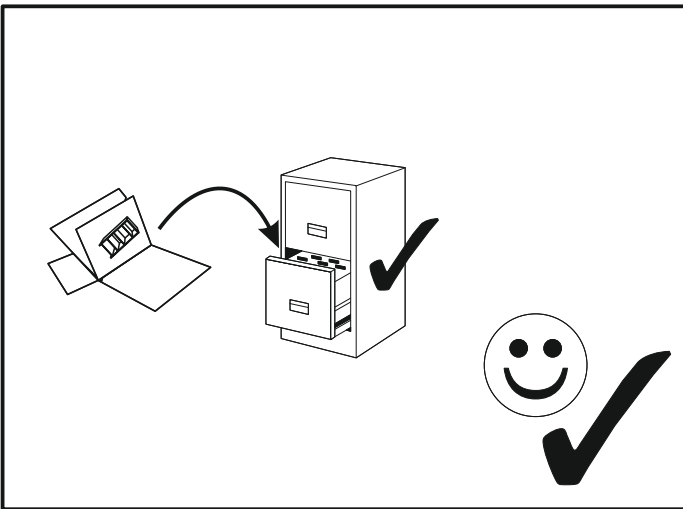
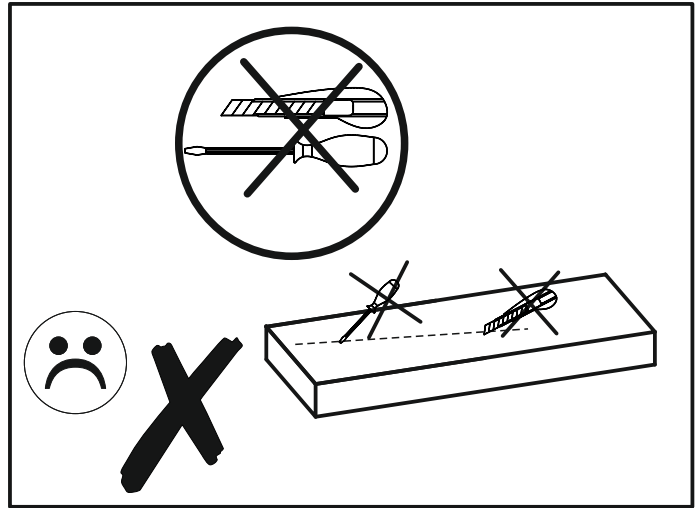
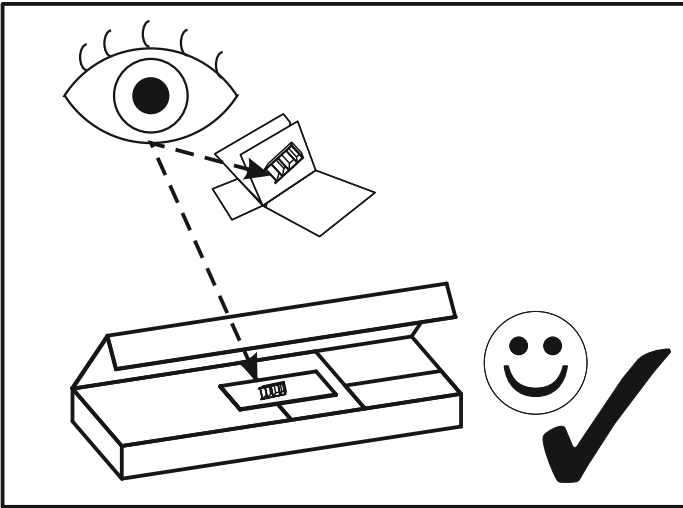
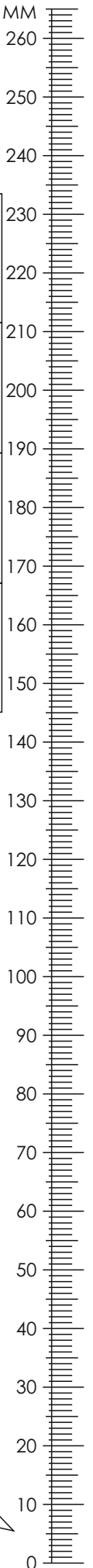


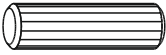

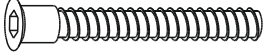


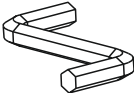

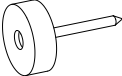
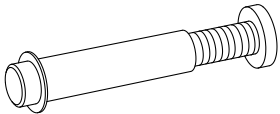
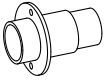
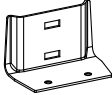
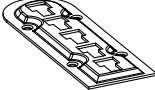
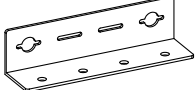
ANGEL 91

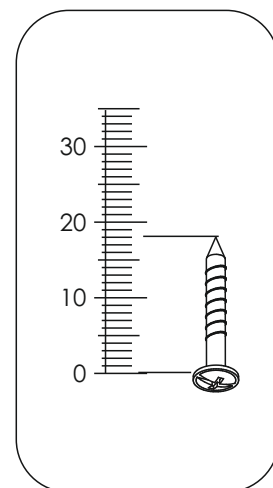




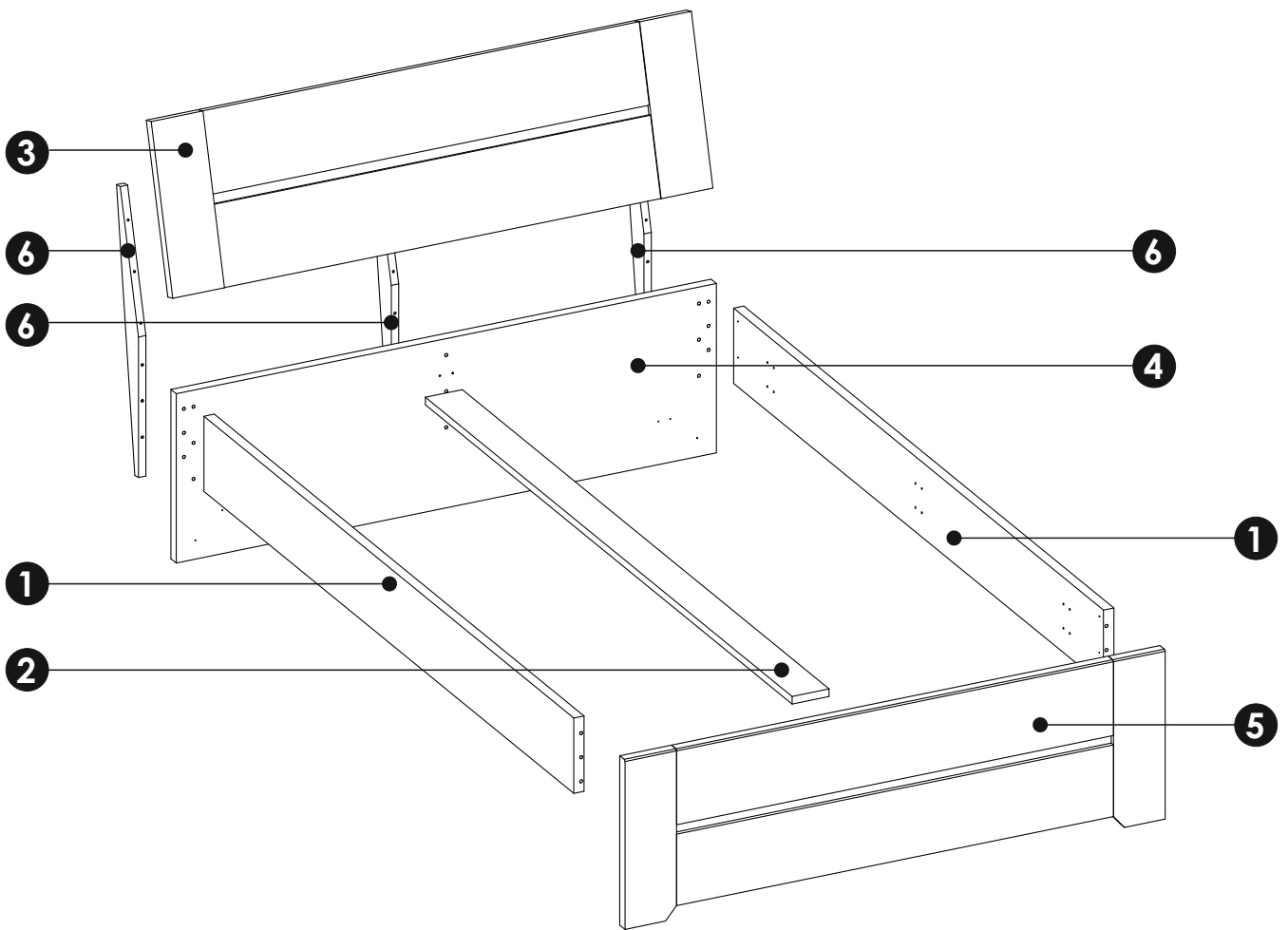
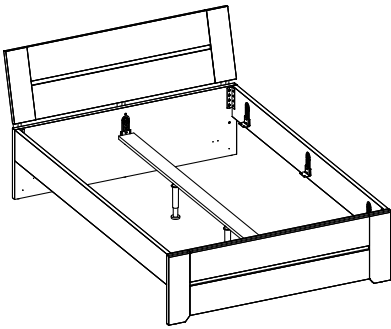
ANGEL 91



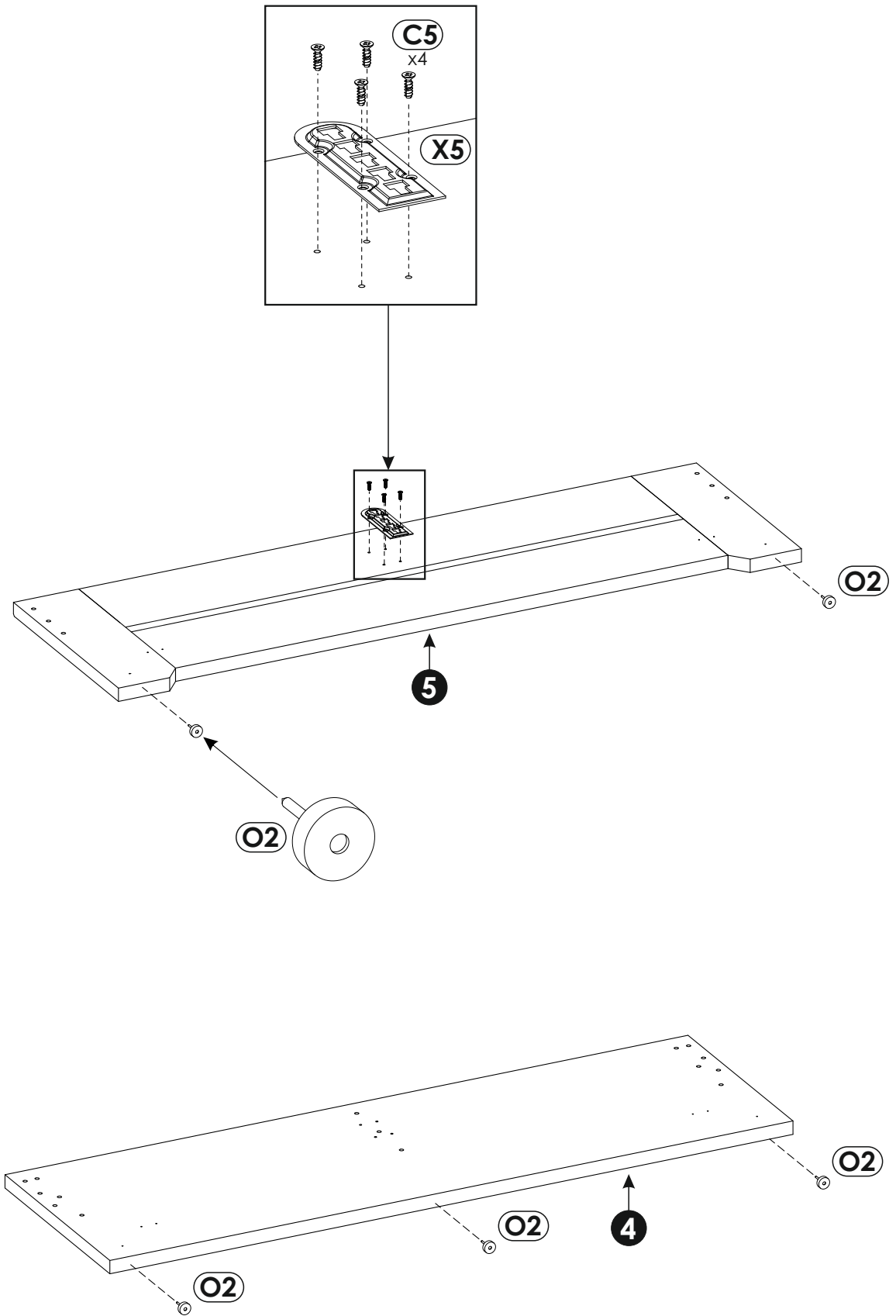
A1 $\varnothing 8 \times 35$ mm x12 	C5 5 x 16 mm x32 	G1 $\varnothing 7 \times 50$ mm x9 
I8 4 x 20 mm x36 	J6 4 x 35 mm x9 	M x1 
N2 3,5 x 16 mm x16 	O2 x5 	O20 x2 
O21 x2 	X5 x8  	X6 x4 



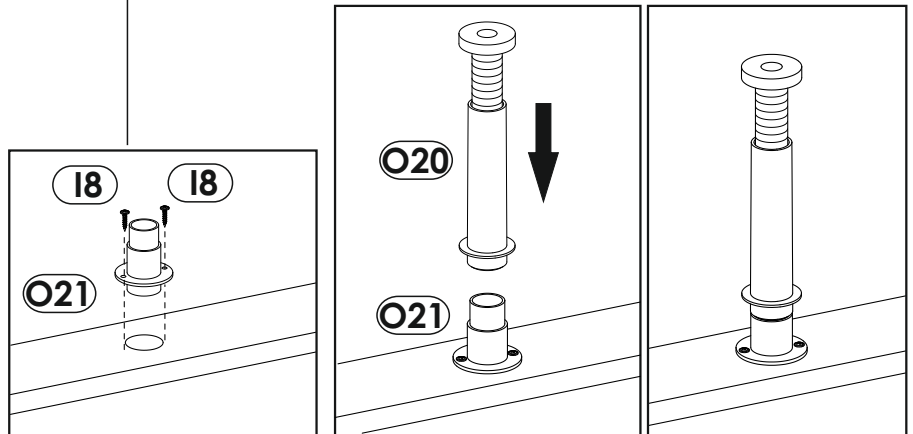
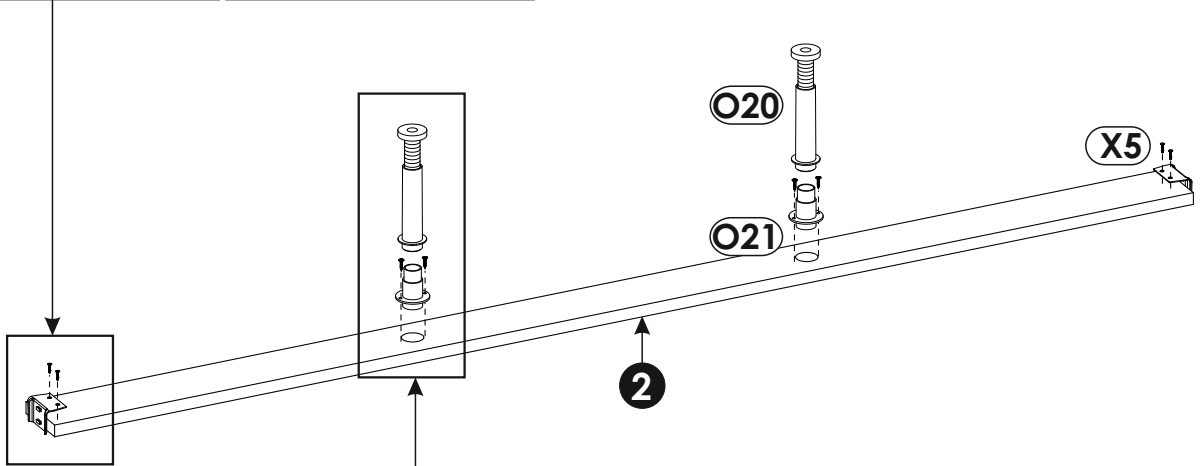
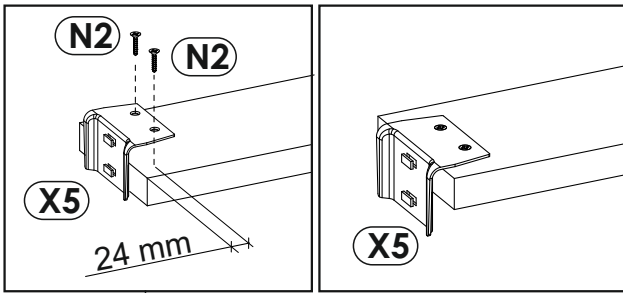
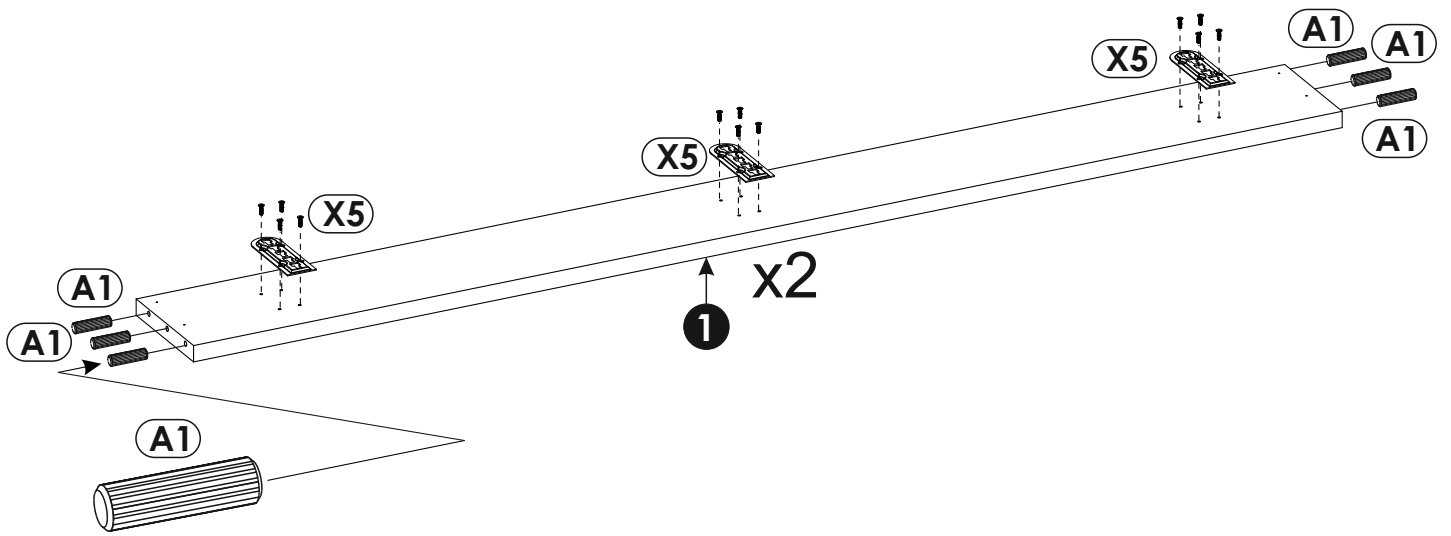
ANGEL 91



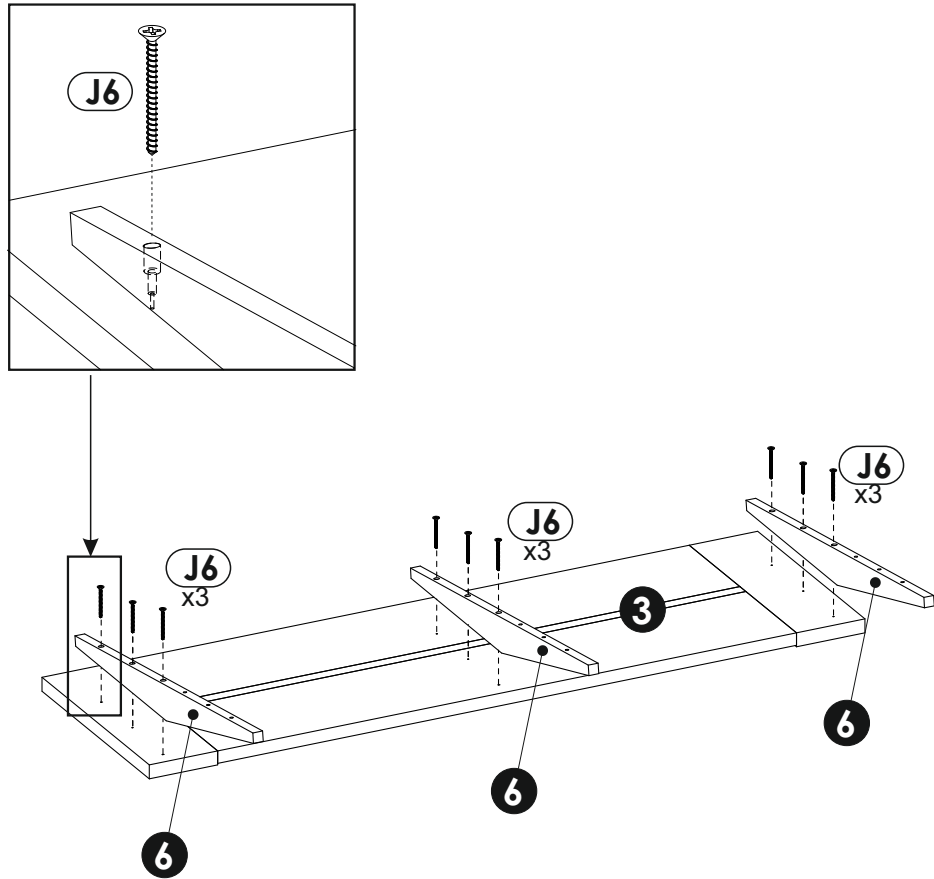
1	2005	200	28	x2	1/3
2	1988	100	20	x1	1/3
3	1464	439	28	x1	2/3
4	1464	450	28	x1	3/3
5	1464	450	28	x1	2/3
6	740	70	20	x3	1/3



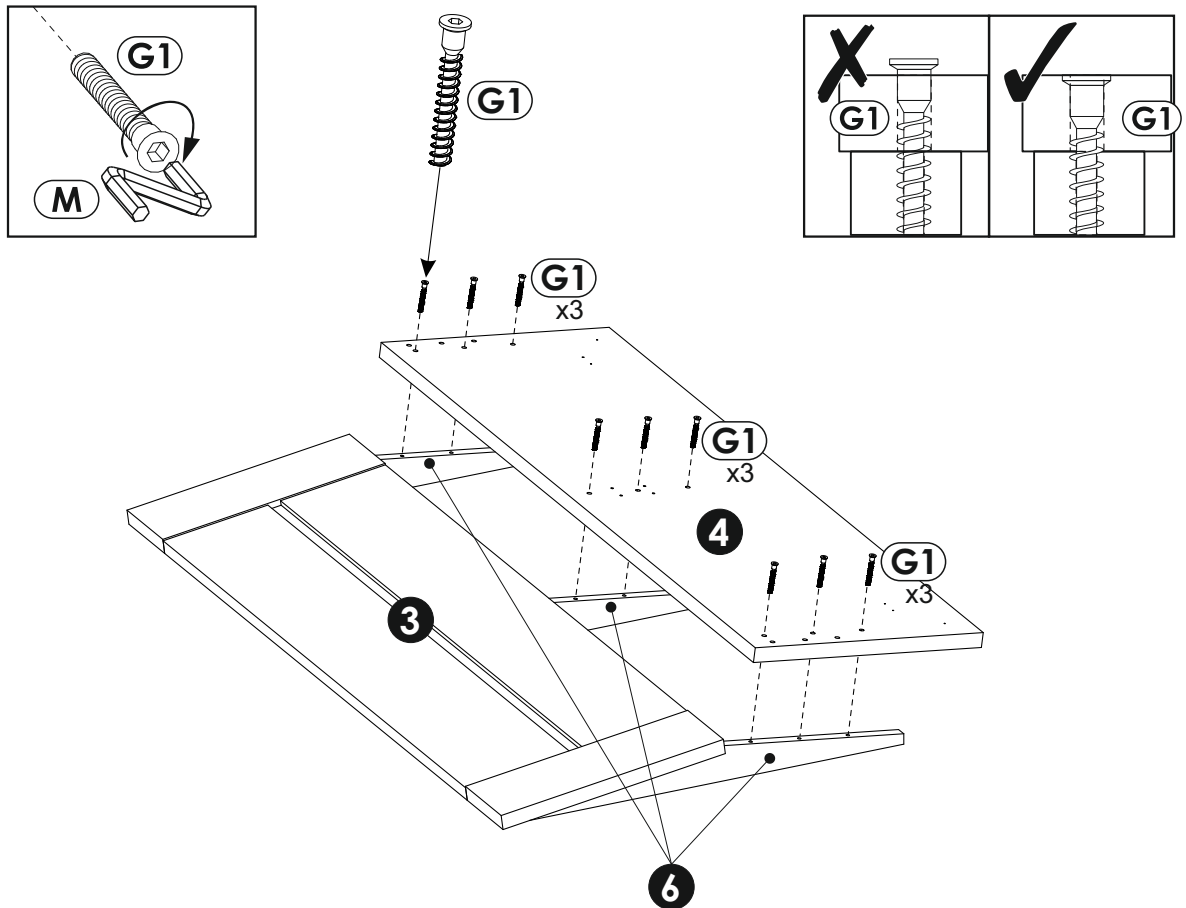
2 ▶



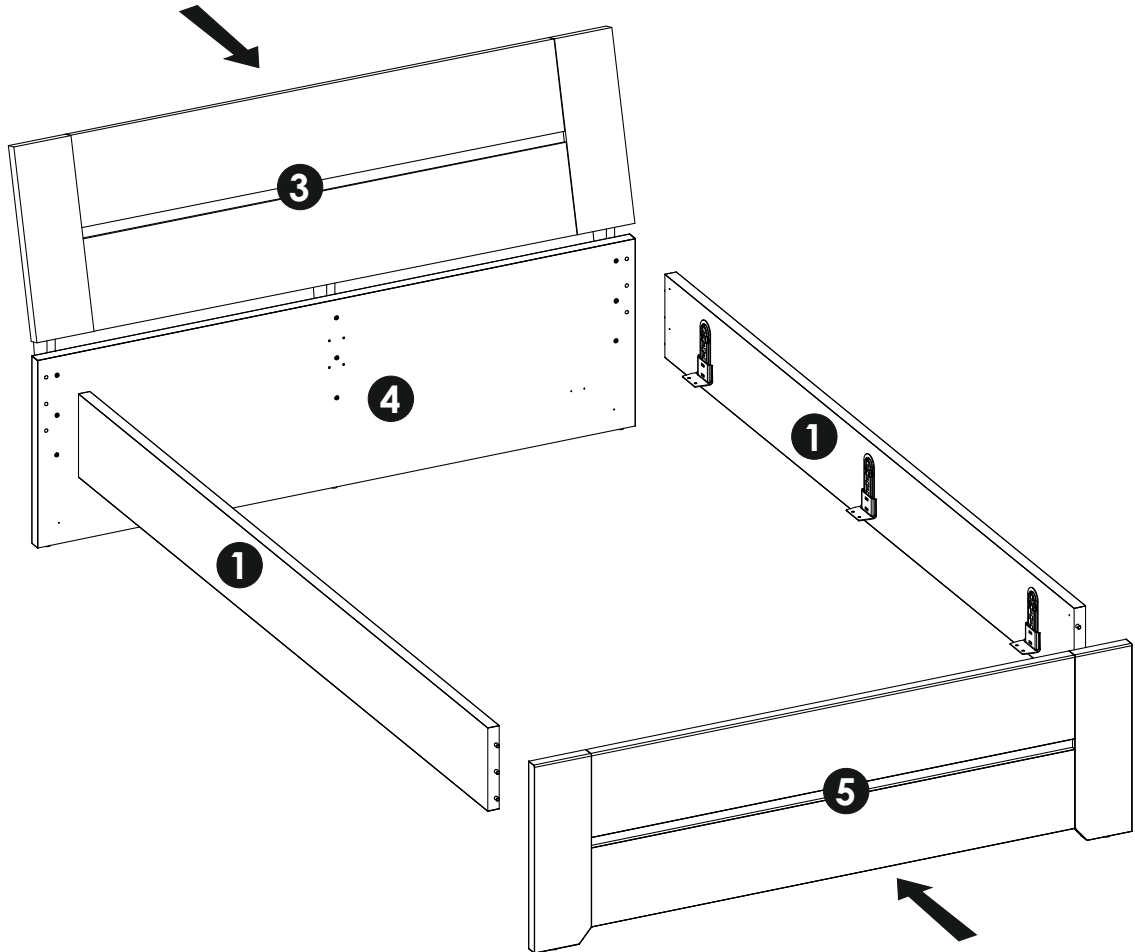
3 ▶



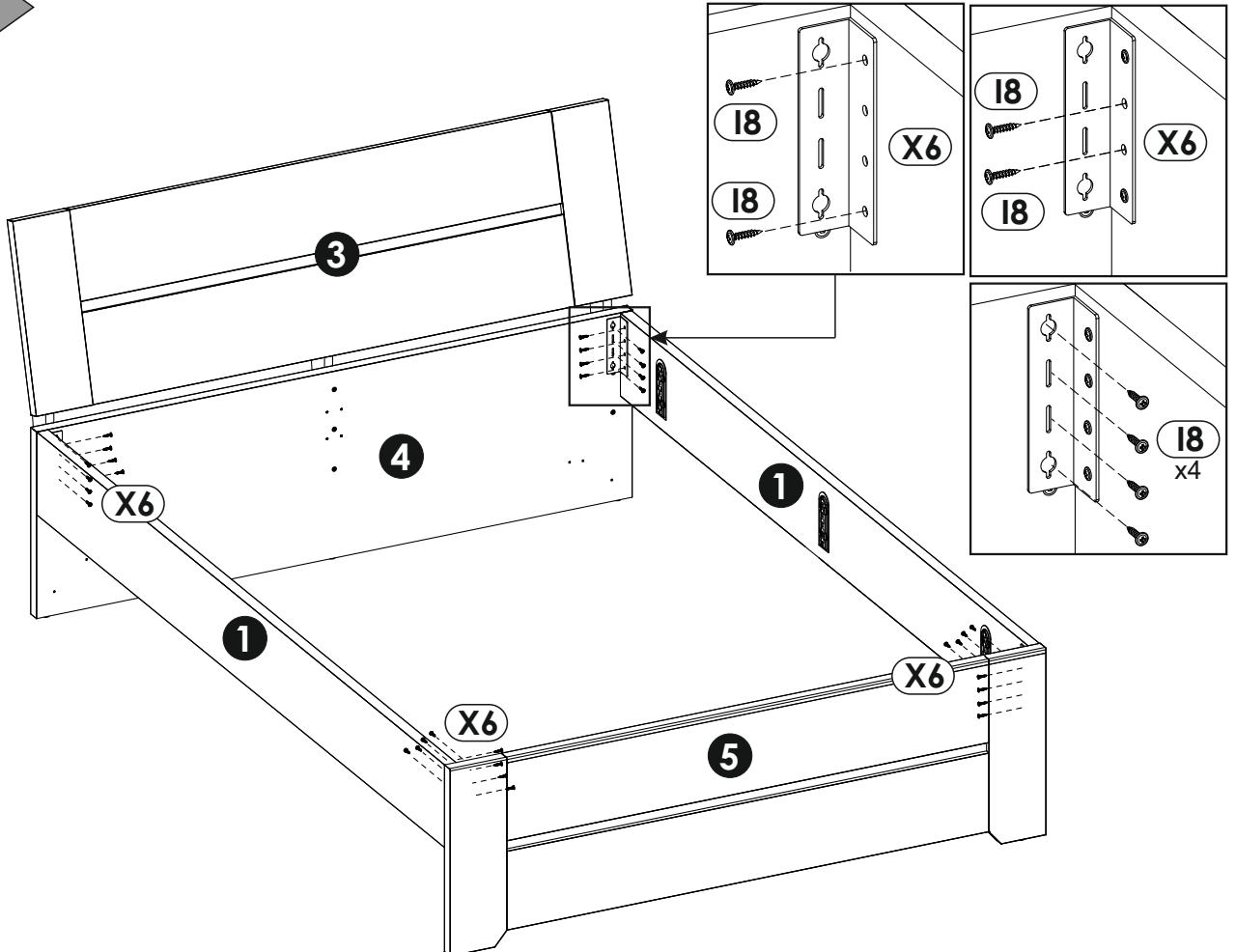
4 ▶



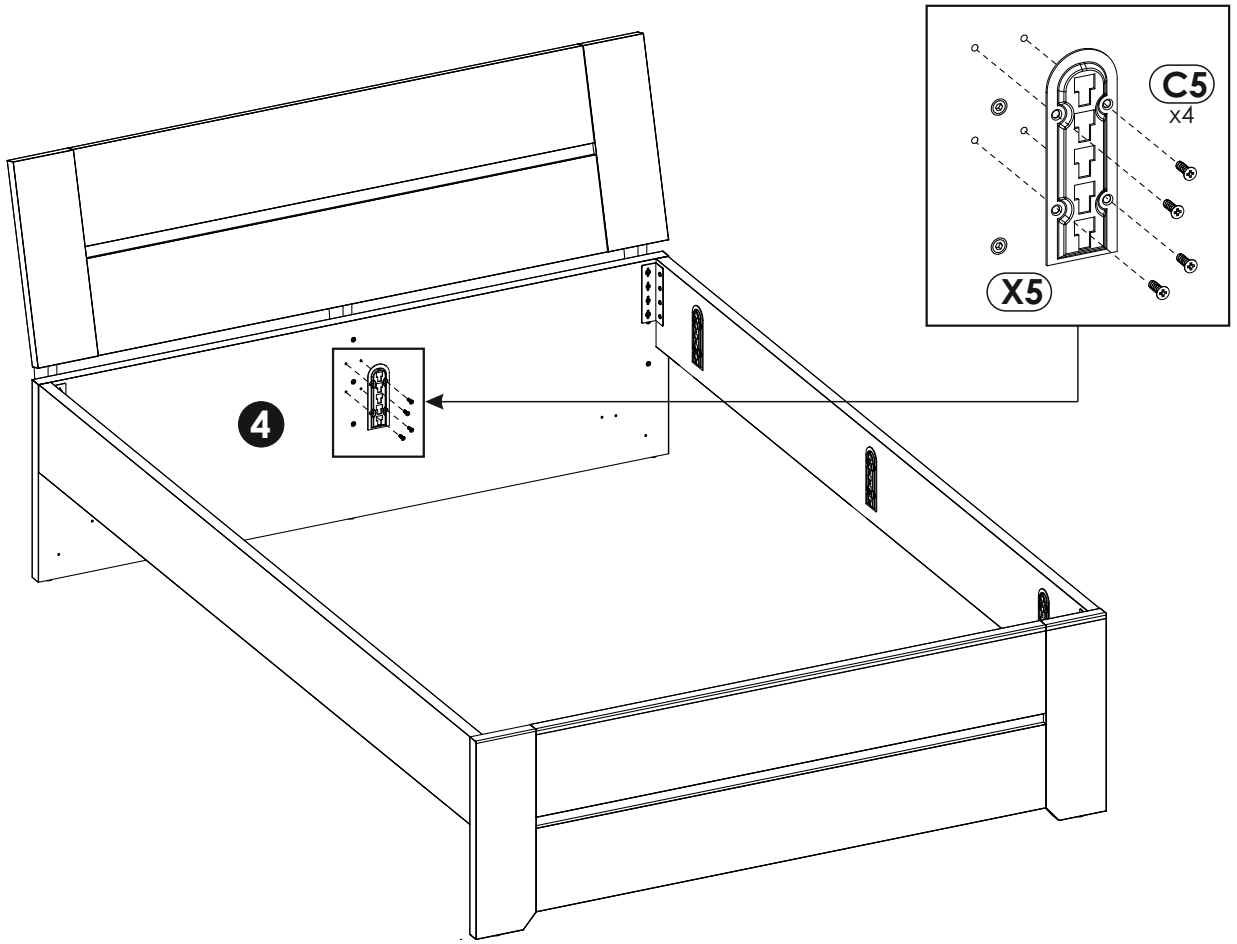
5 ▶



6 ▶



7 ▶



8 ▶

