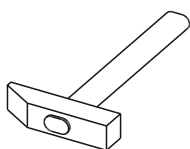
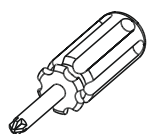
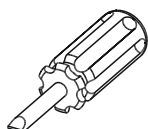
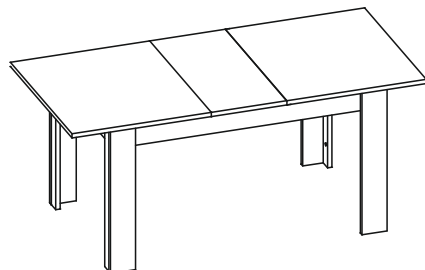


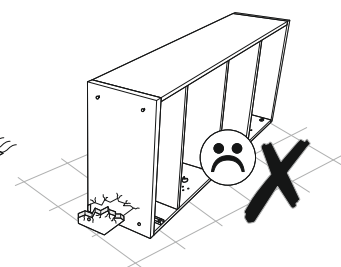
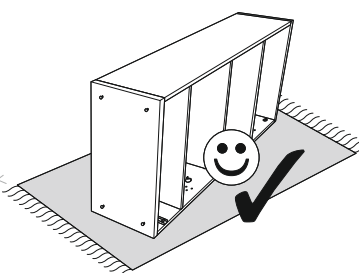
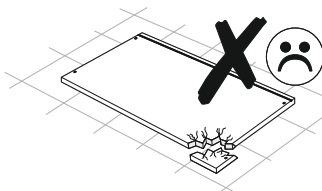
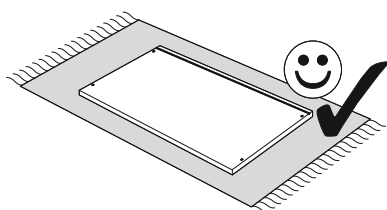
# LYON LYOT03

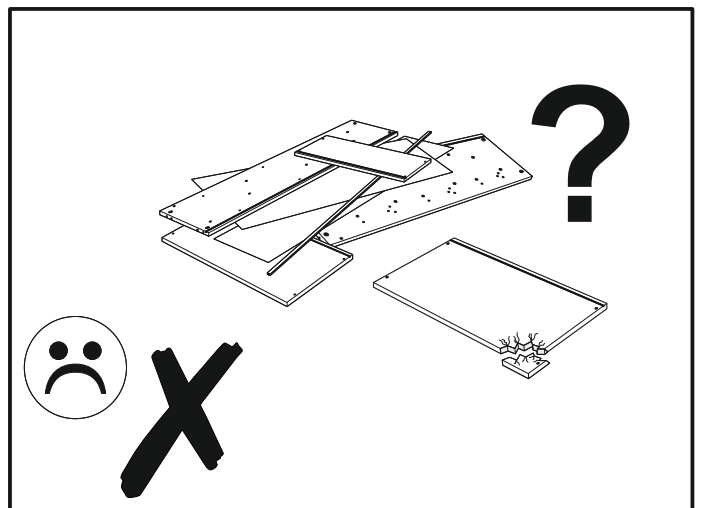
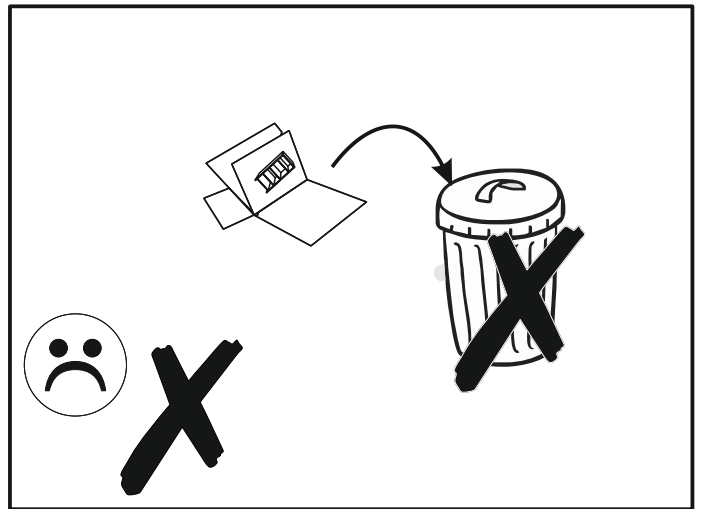


76,6cm

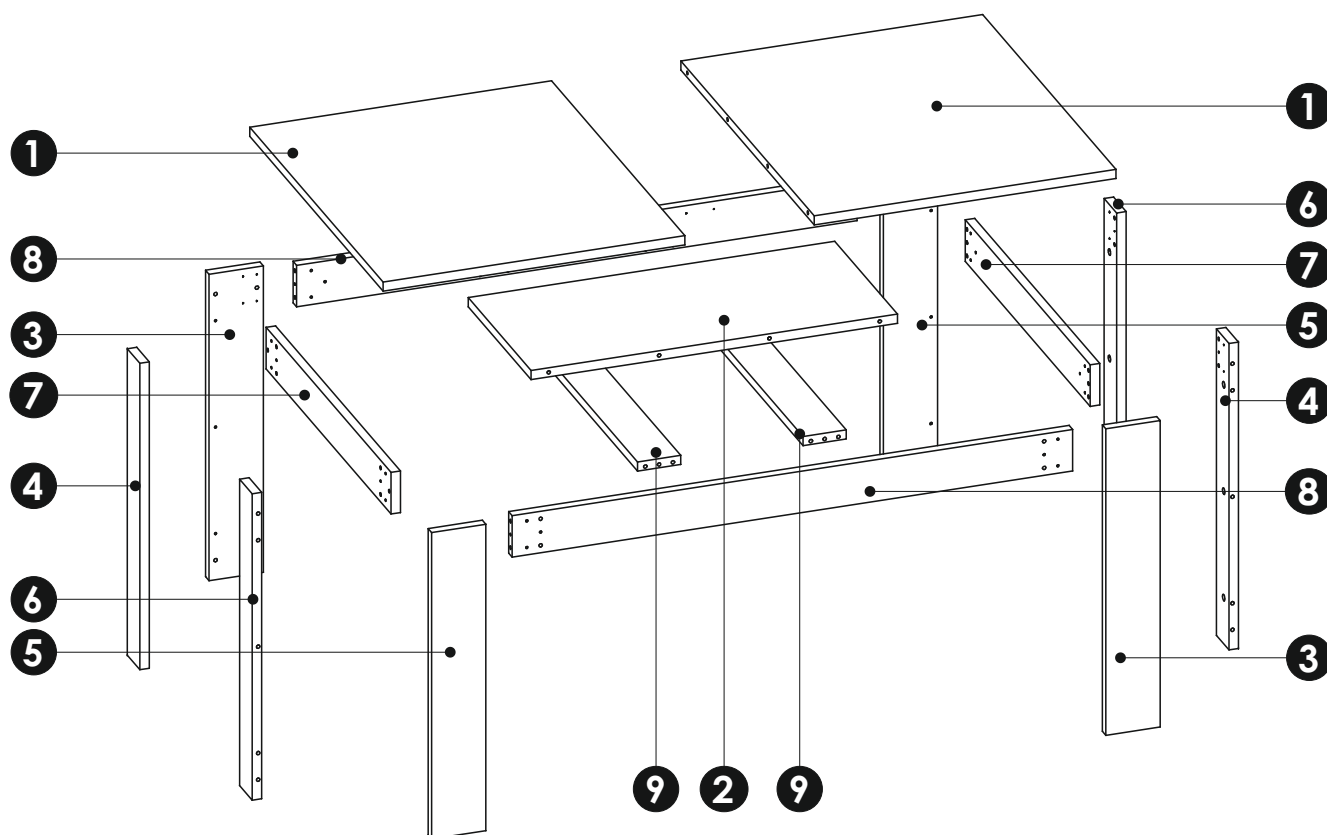
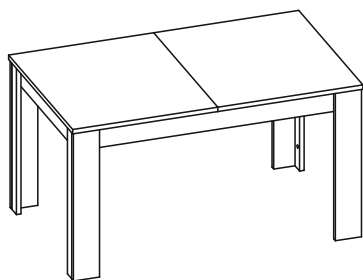
85cm

140,0cm/180,0cm





# LYON LYOT03

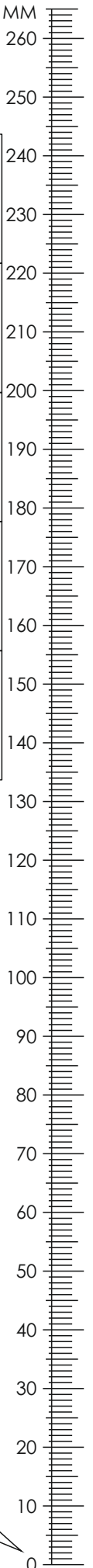






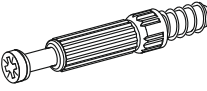



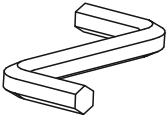
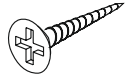
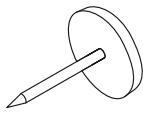

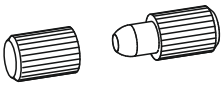
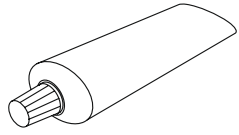
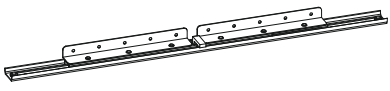
<b>1</b>	850	700	22	x2	2/2
<b>2</b>	850	400	22	x1	2/2
<b>3</b>	737	126	22	x2	1/2

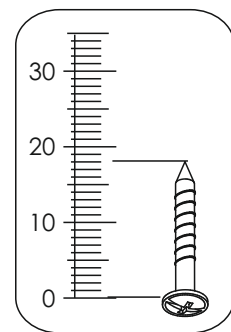
<b>4</b>	737	80	22	x2	1/2
<b>5</b>	737	126	22	x2	1/2
<b>6</b>	737	80	22	x2	1/2

<b>7</b>	796	100	22	x2	1/2
<b>8</b>	1300	100	22	x2	1/2
<b>9</b>	752	100	22	x2	2/2

# LYON LYOT03

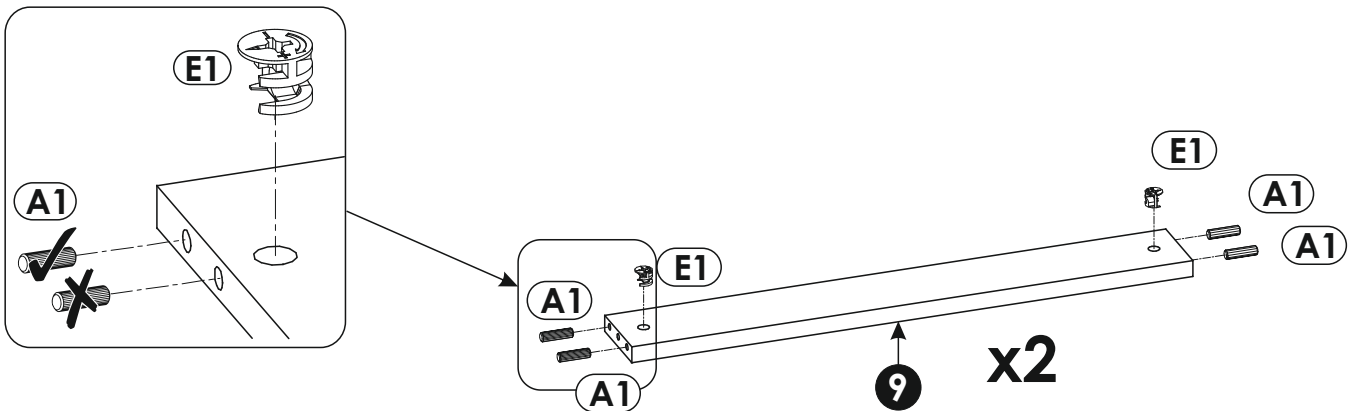
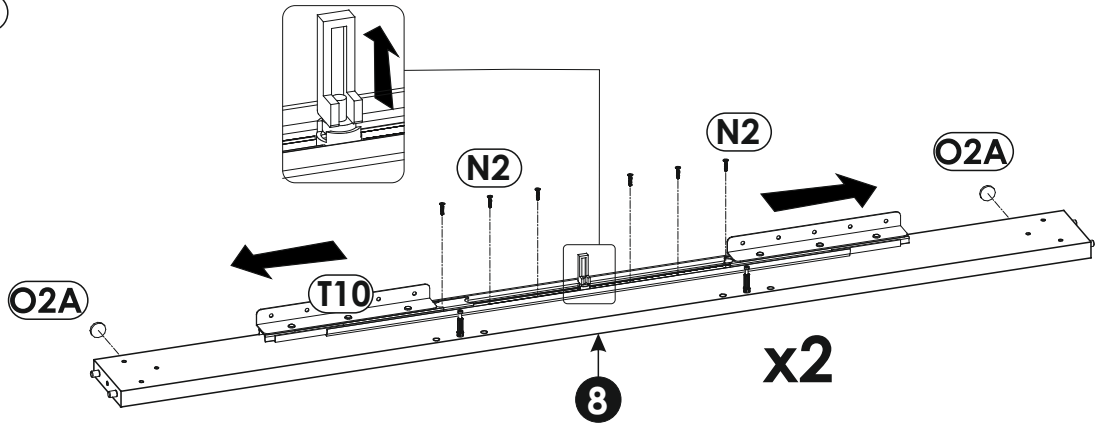
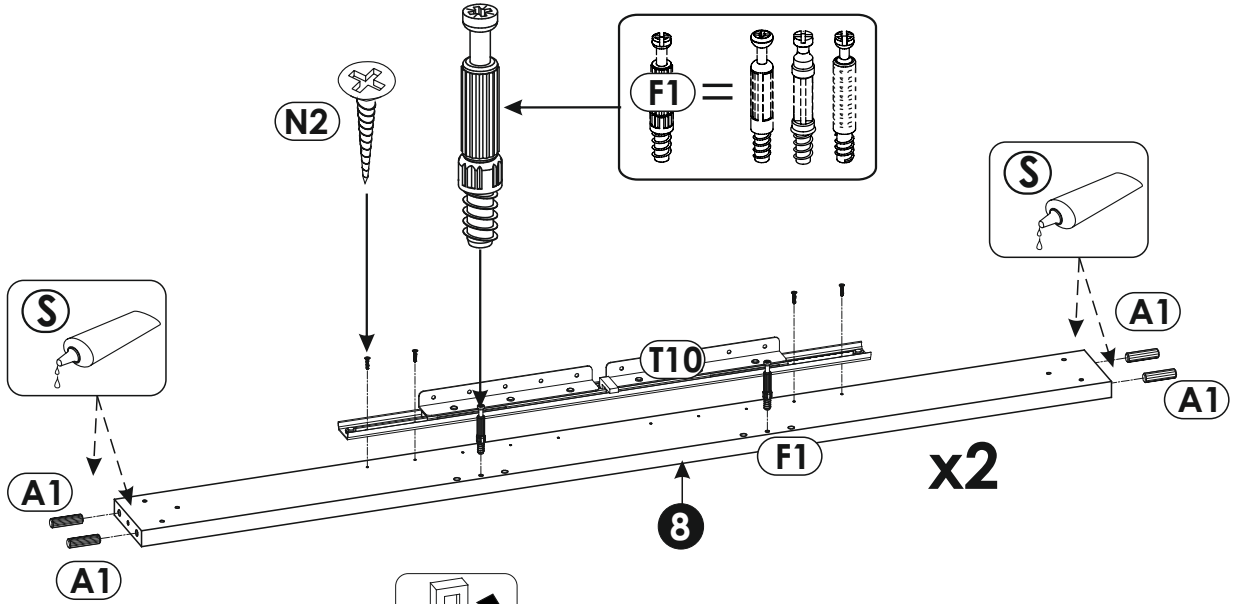


<b>A0</b> 8 x 24 mm x16 	<b>A1</b> 8 x 35 mm x24 	<b>E1</b> 15 x 12 mm x16 
<b>E0</b>  x16	<b>F1</b> 6 x 34 mm x16 	<b>G2</b> 7 x 60 mm x4 
<b>I1</b> 4 x 20 mm x20 	<b>I12</b> 4 x 40 mm x24 	<b>M</b>  x1
<b>N2</b> 3,5 X 16 mm x20 	<b>O2</b>  x8	<b>O2A</b> ø20 x4 
<b>R8</b>  x8	<b>S</b>  x1	<b>T10</b> L-700 x2 

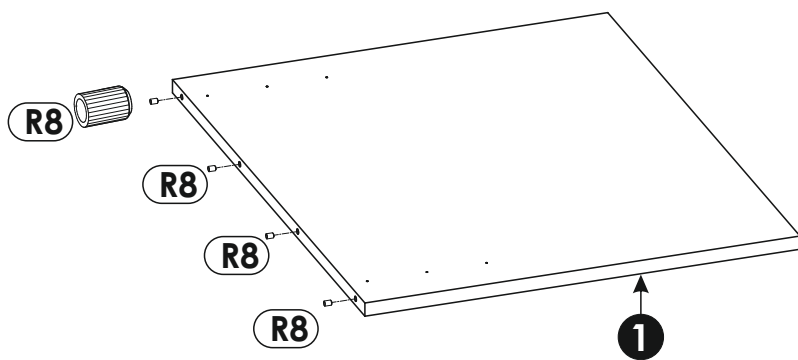
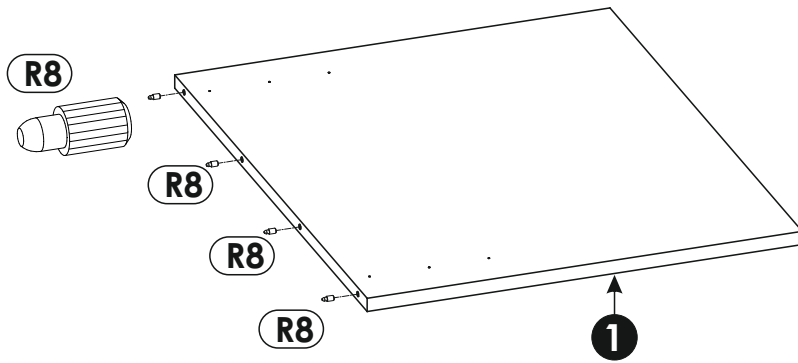
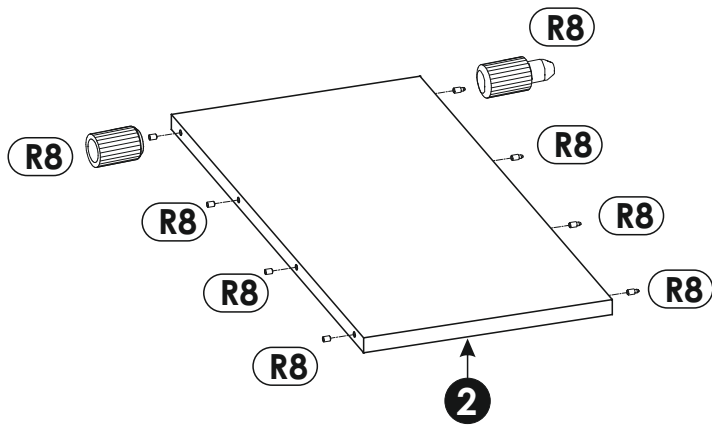




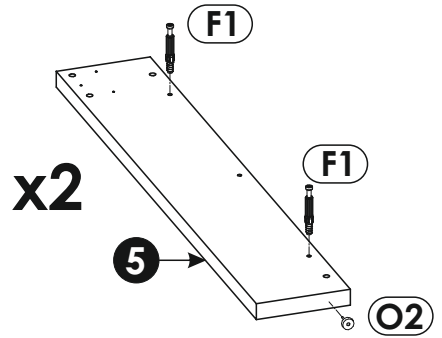
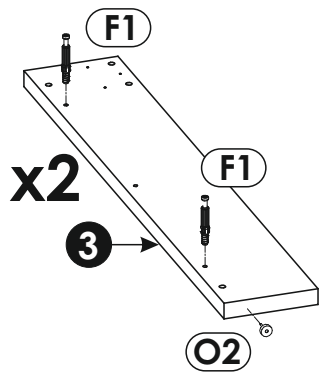
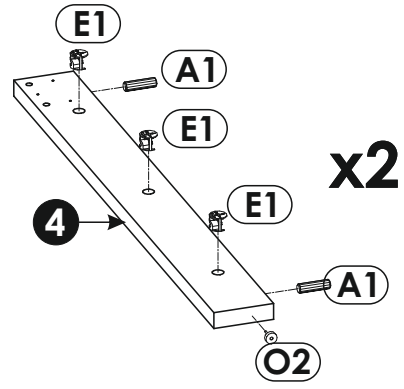
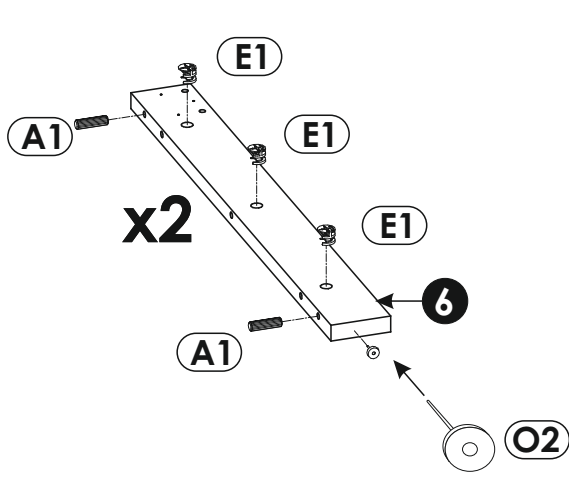
1 ▶



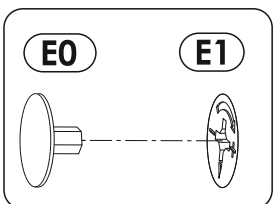
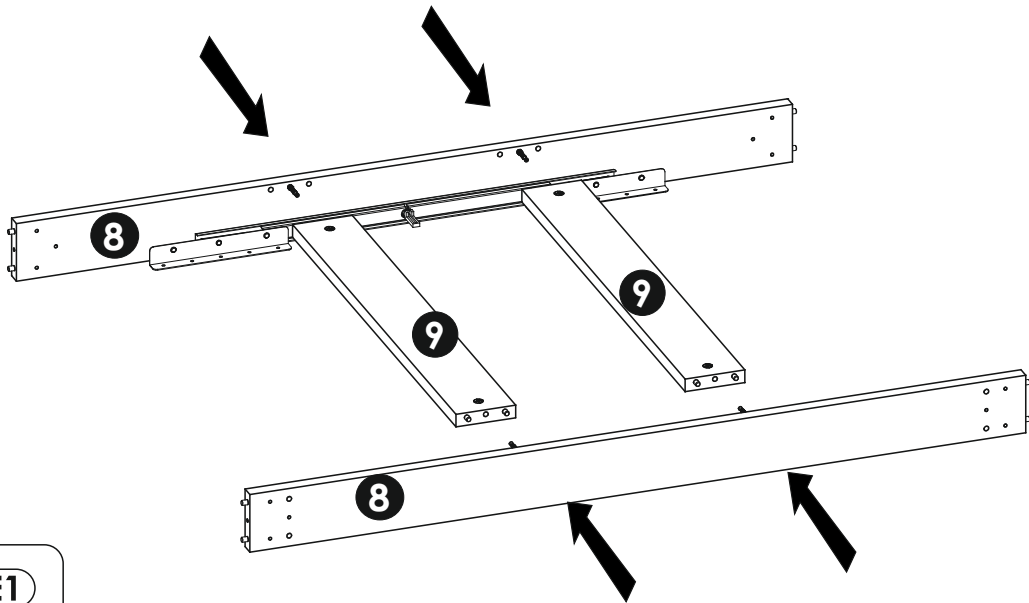
2▶



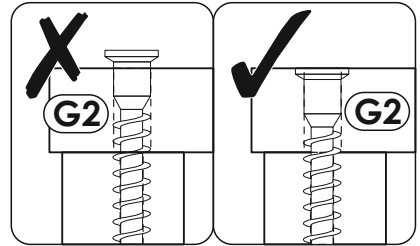
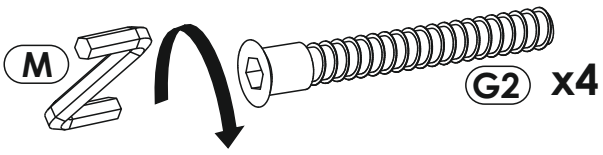
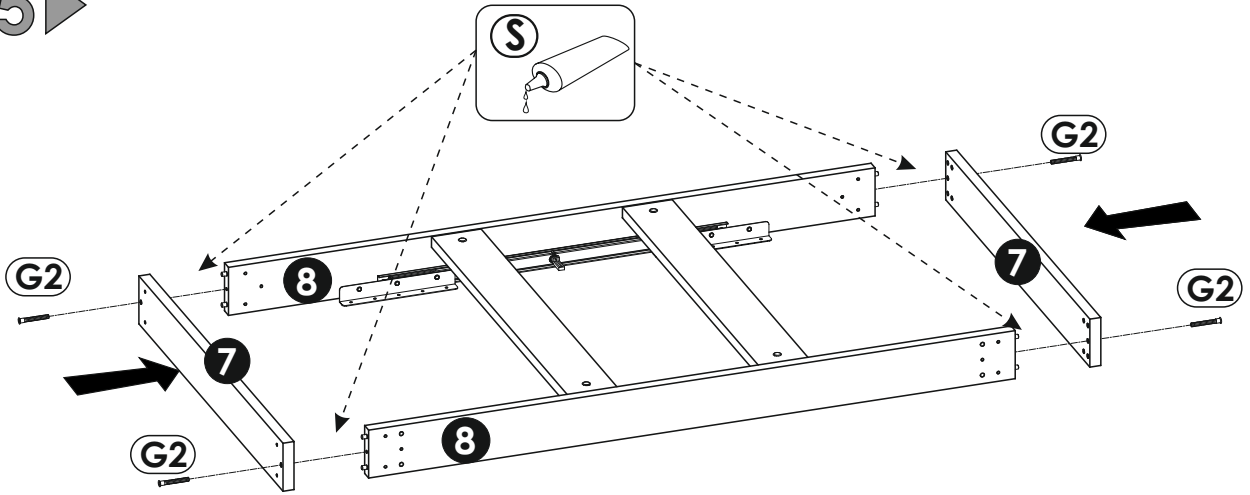
3 ▶



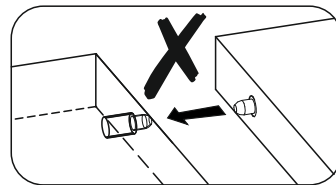
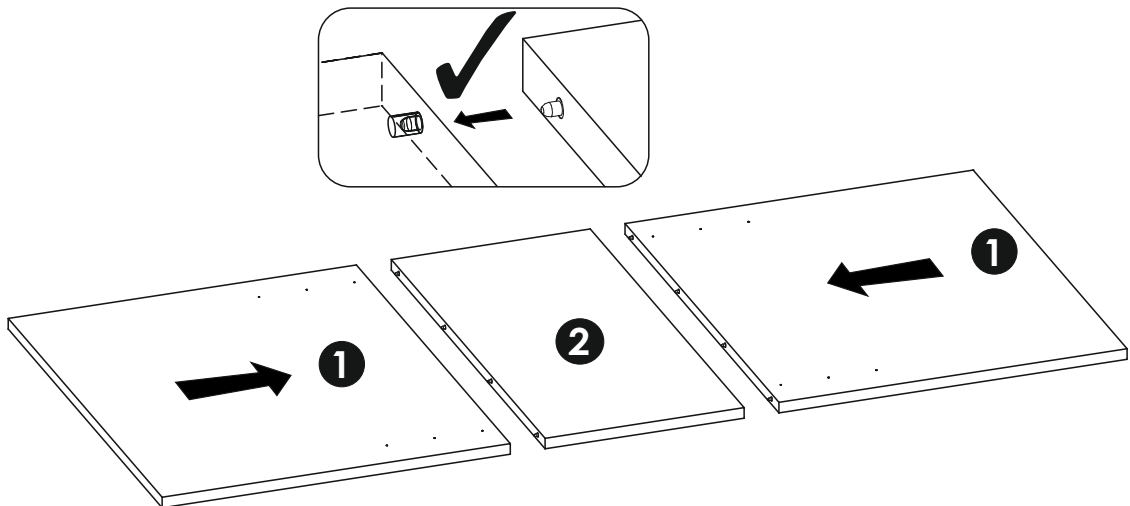
4 ▶



5 ▶

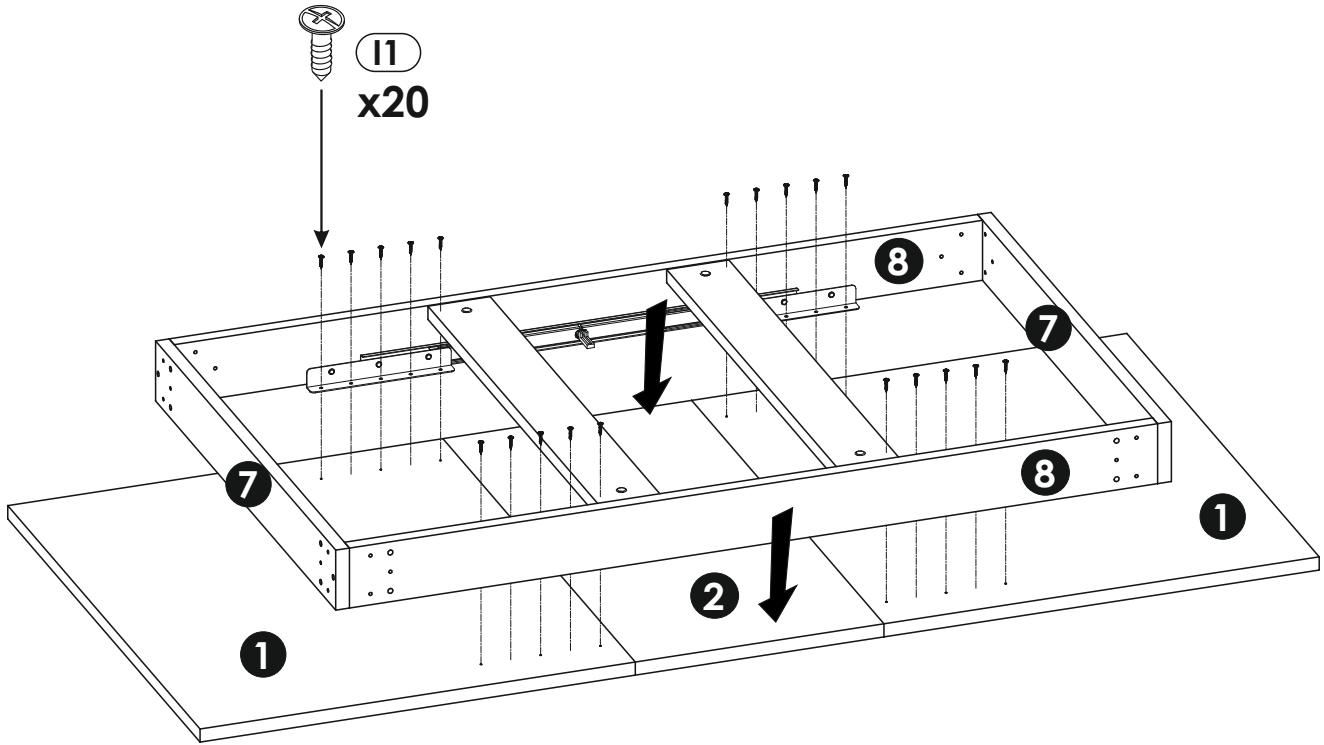


6 ▶

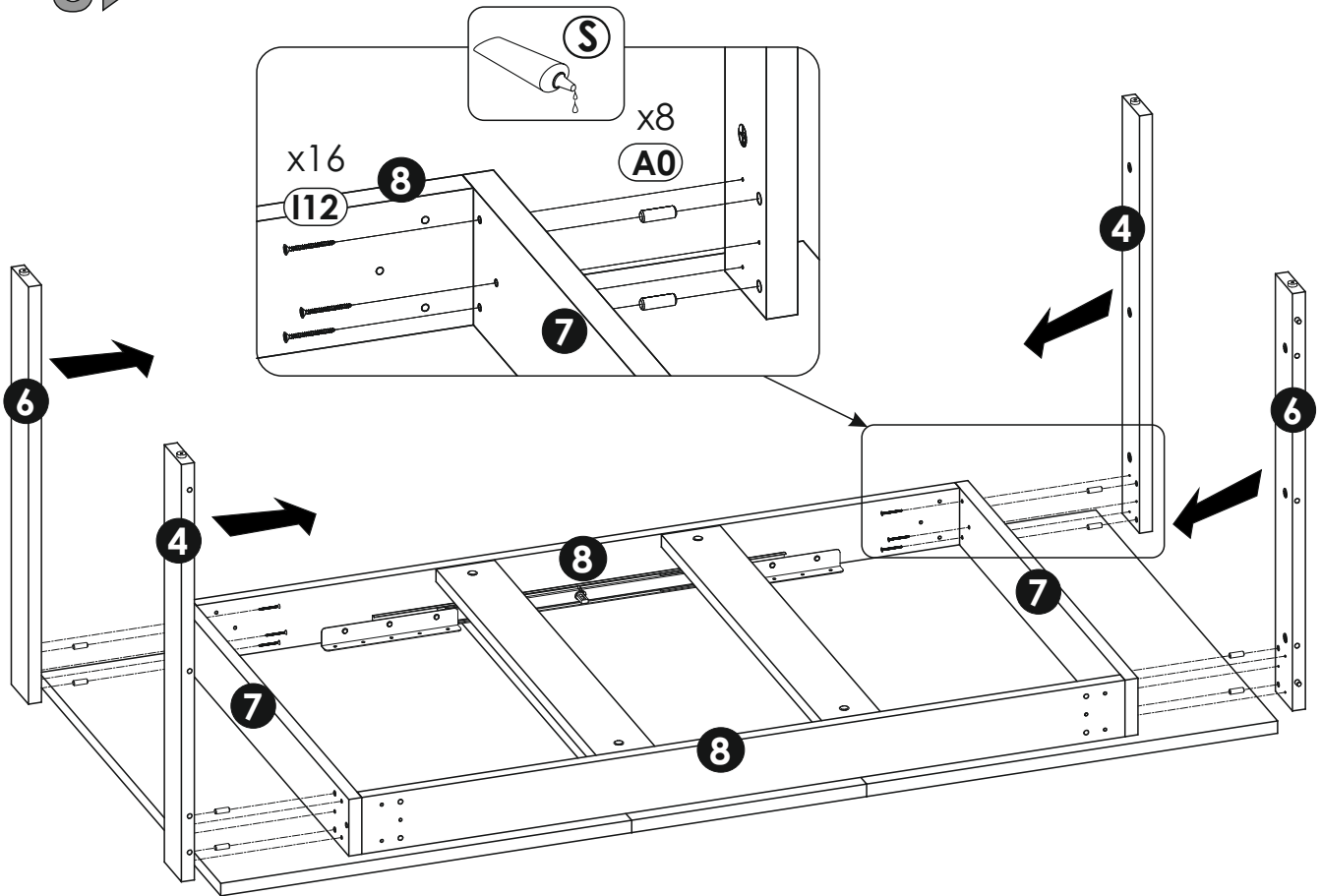


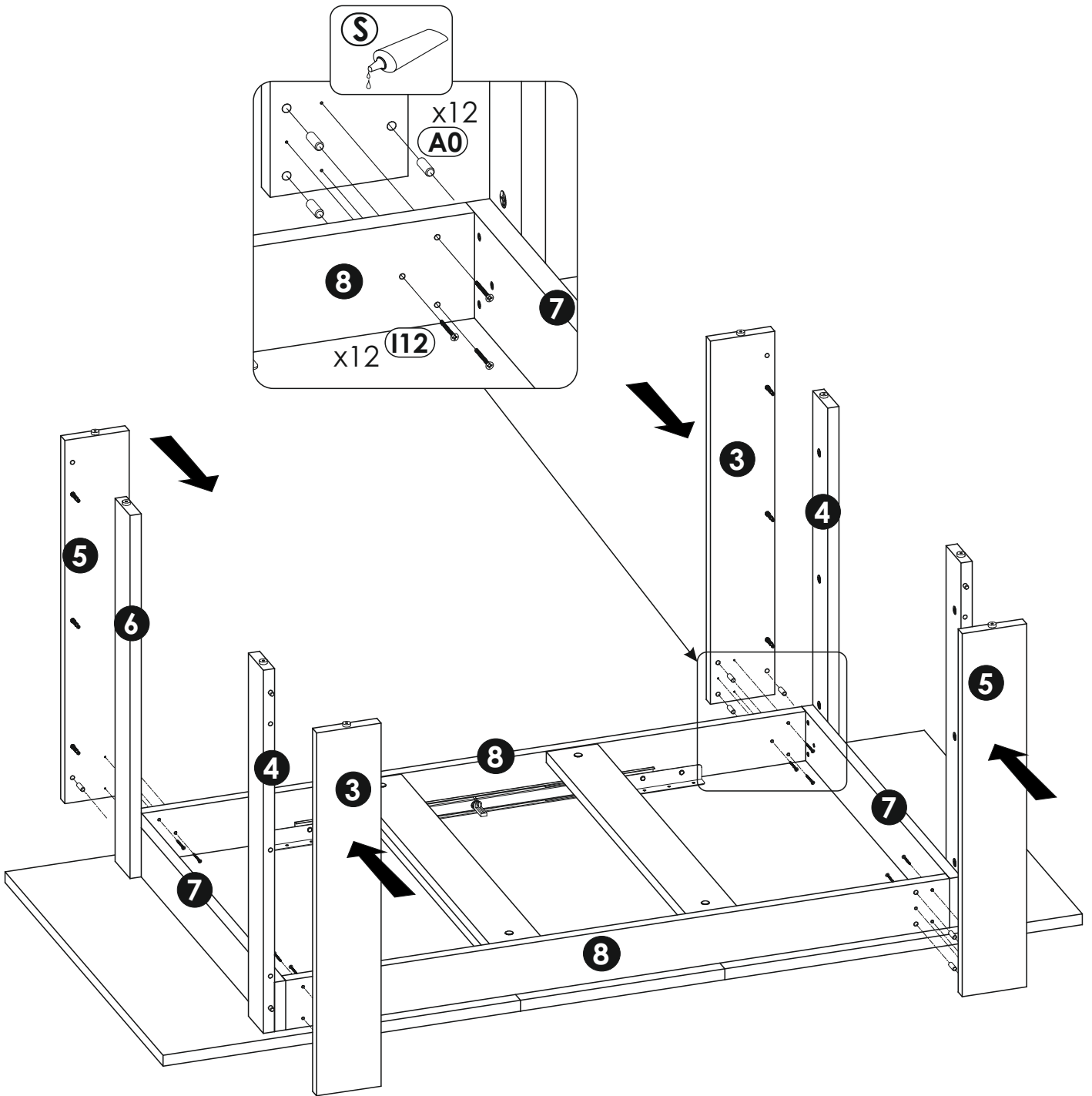


7 ▶

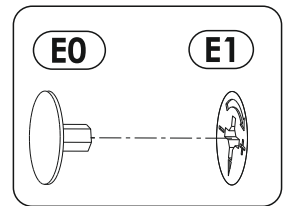


8 ▶

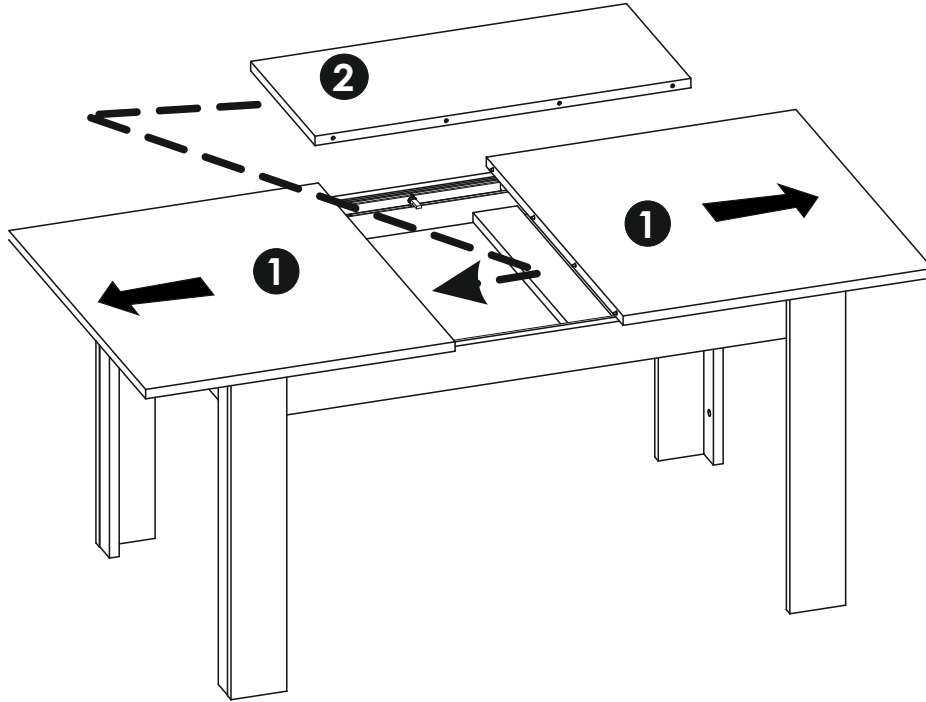




30min



10 ▶



11 ▶

