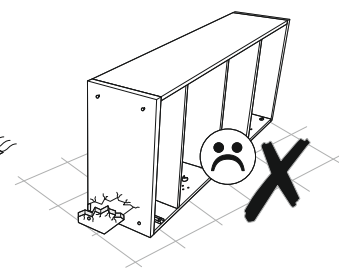
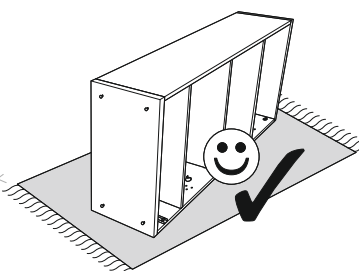
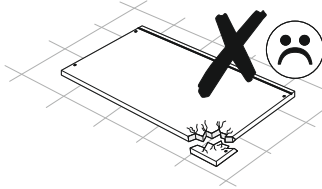
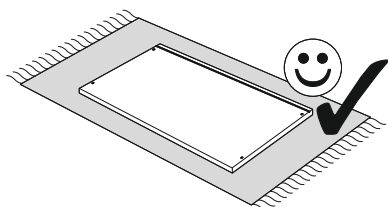
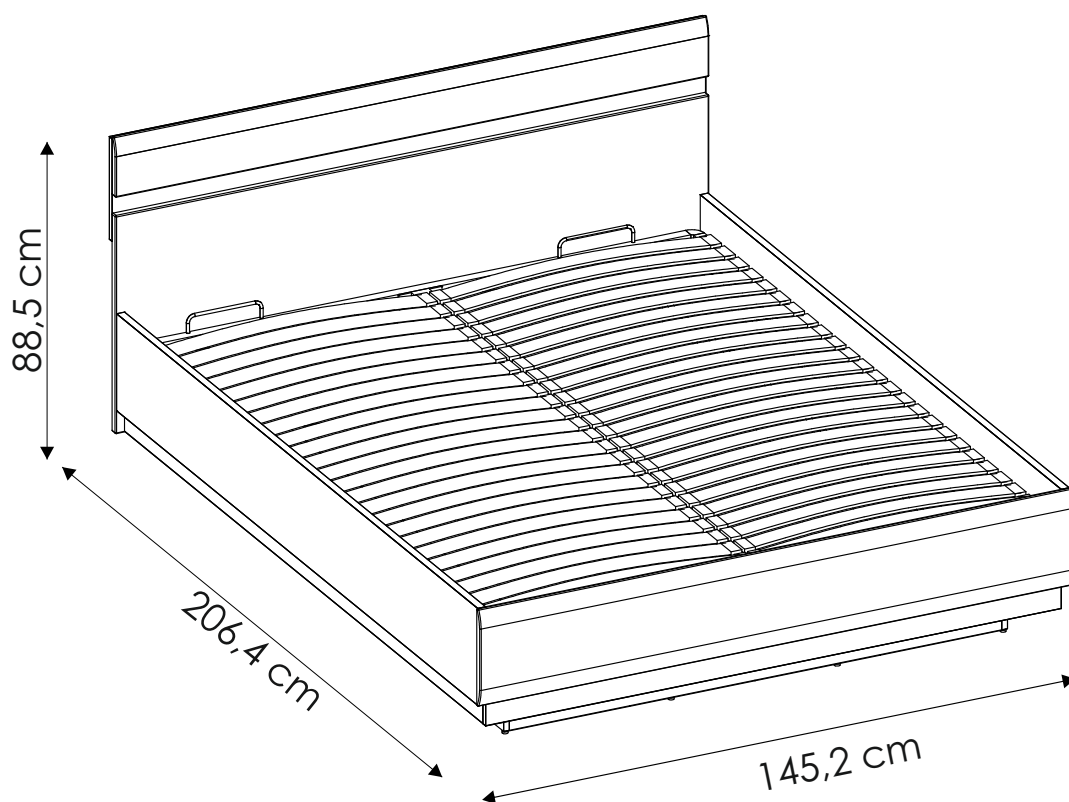
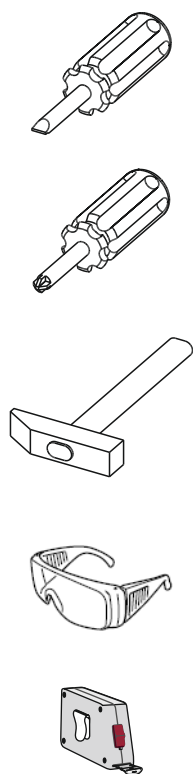
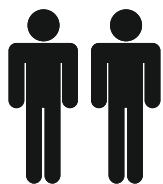
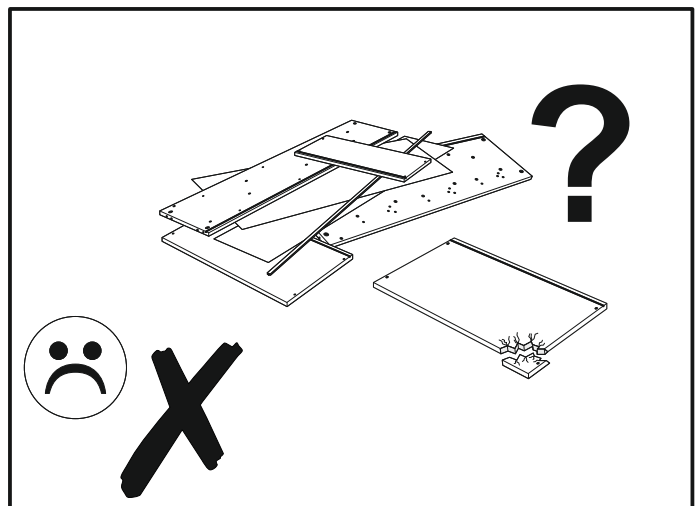
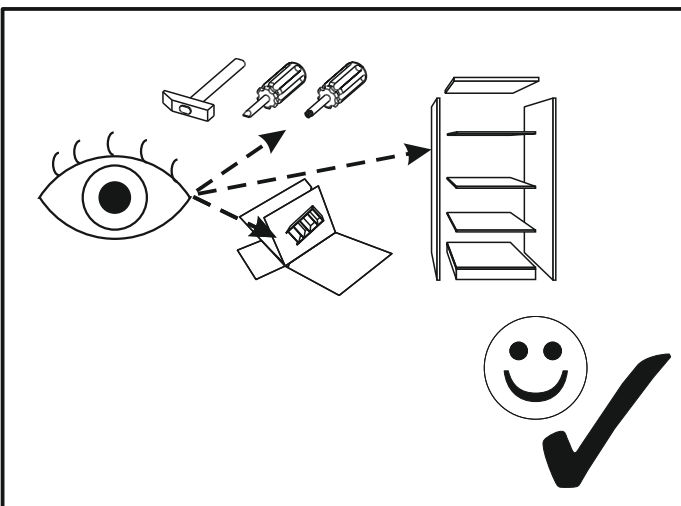
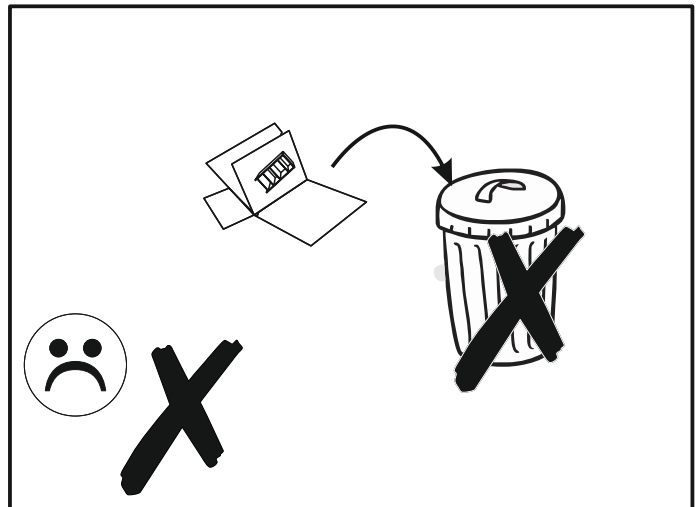
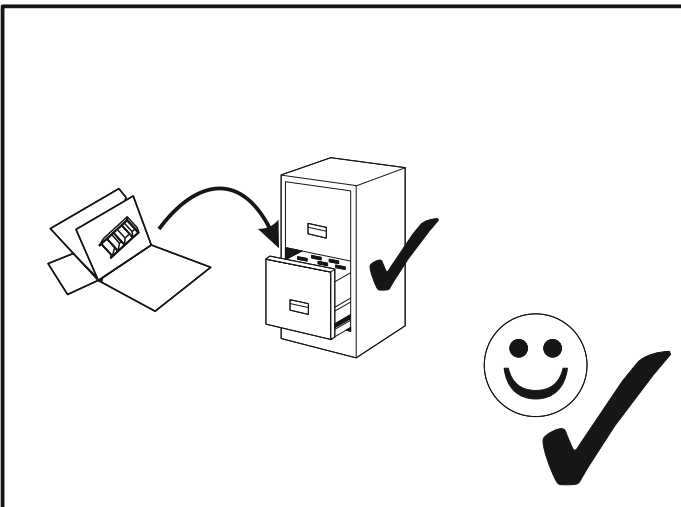
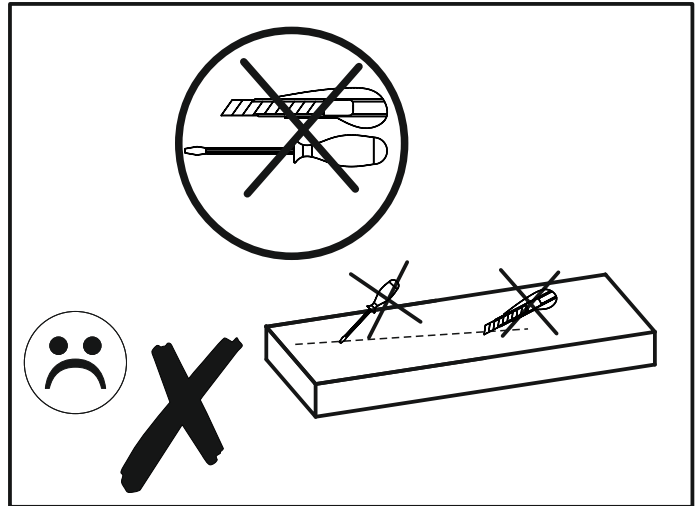
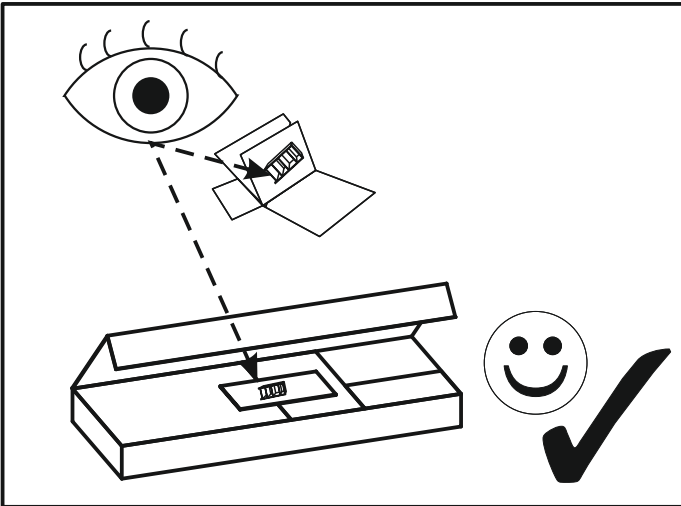
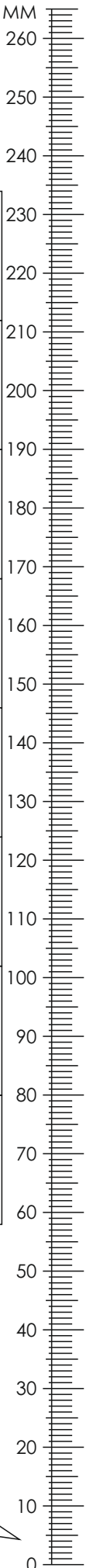





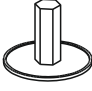








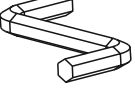
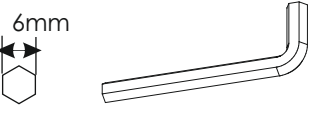
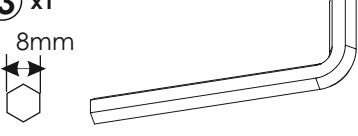

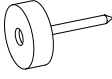
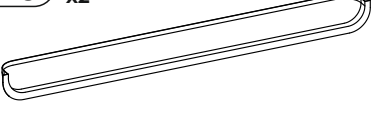




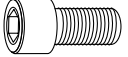

LINATE TYP 97

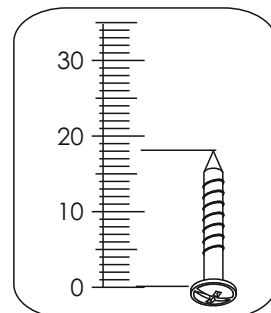
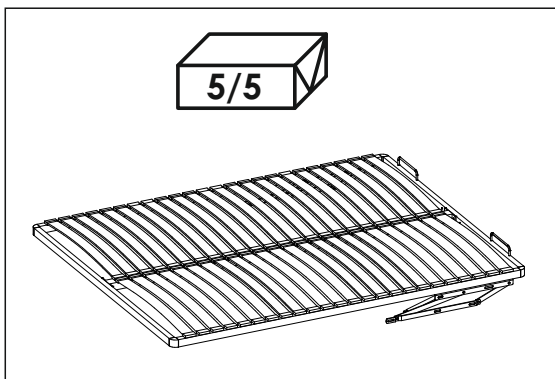




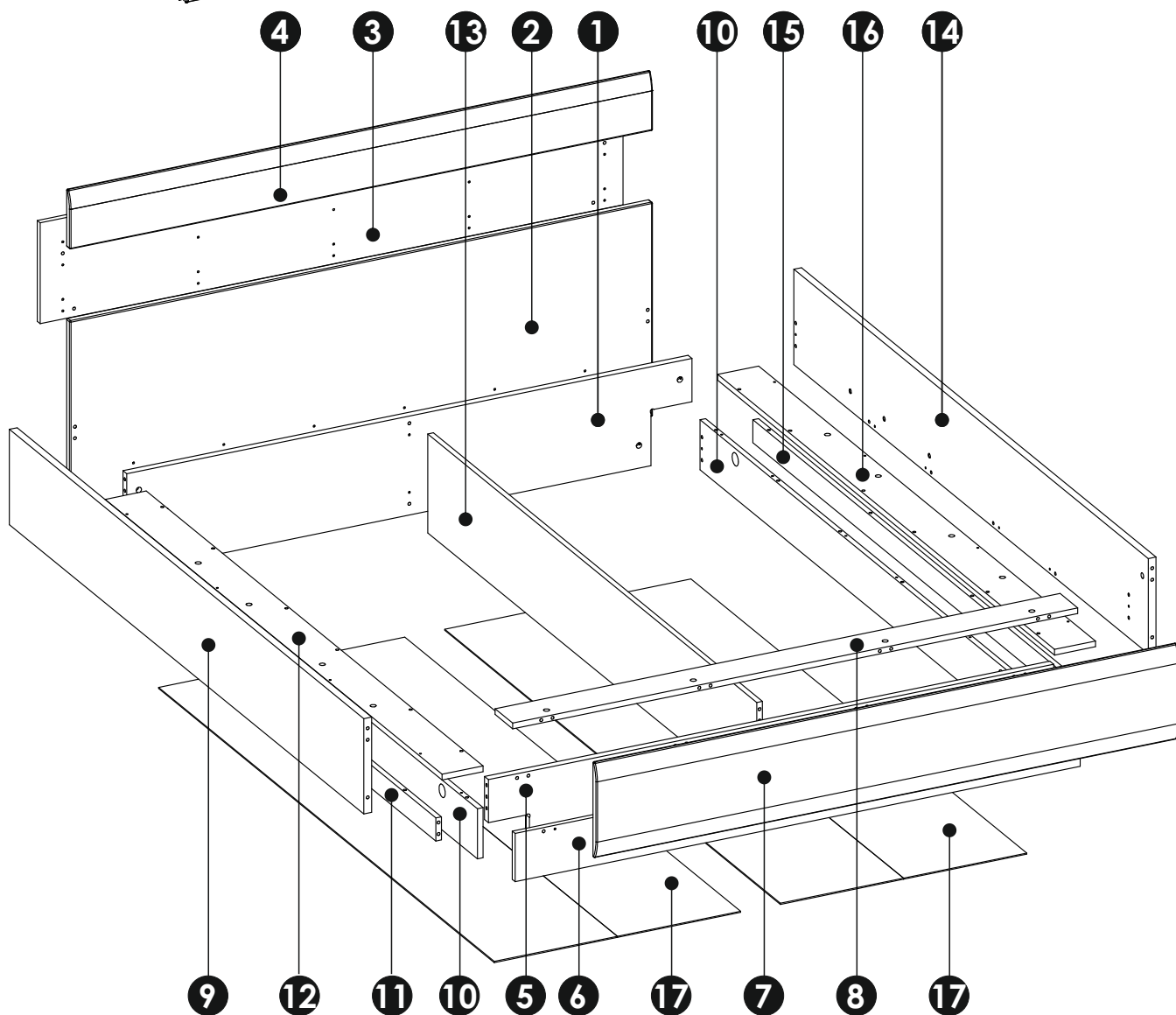
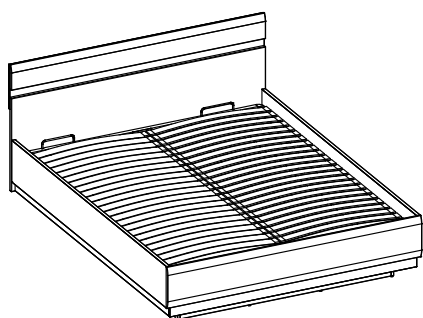
LINATE TYP 97



A0 x6 $\phi 8 \times 24$ mm 	A1 x66 $\phi 8 \times 35$ mm 	E0 x18 
E022 x10 	E1 x28 	F1 x28 
G0 x20 	G1 x20 $\phi 7 \times 50$ mm 	I6 x8 3.5 x 40 mm 
I7 x6 4 x 35 mm 	I17 x10 3 x 13mm 	J6 x24 4 x 30 mm 
M x1 	M2 x1 6mm 	M3 x1 8mm 
N1 x55 3 x 16mm 	O2 x17 	P40 x2 
R1 x13 	R5 x2 	R22 x6 
S18 x6 	S19 x6 M8x25 	W16 x4 



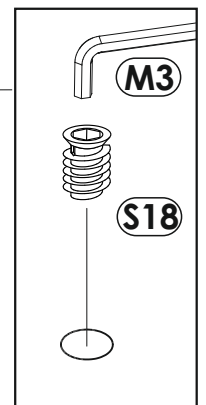
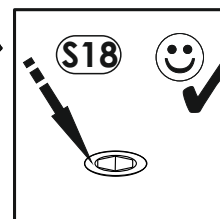
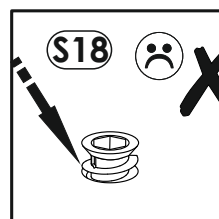
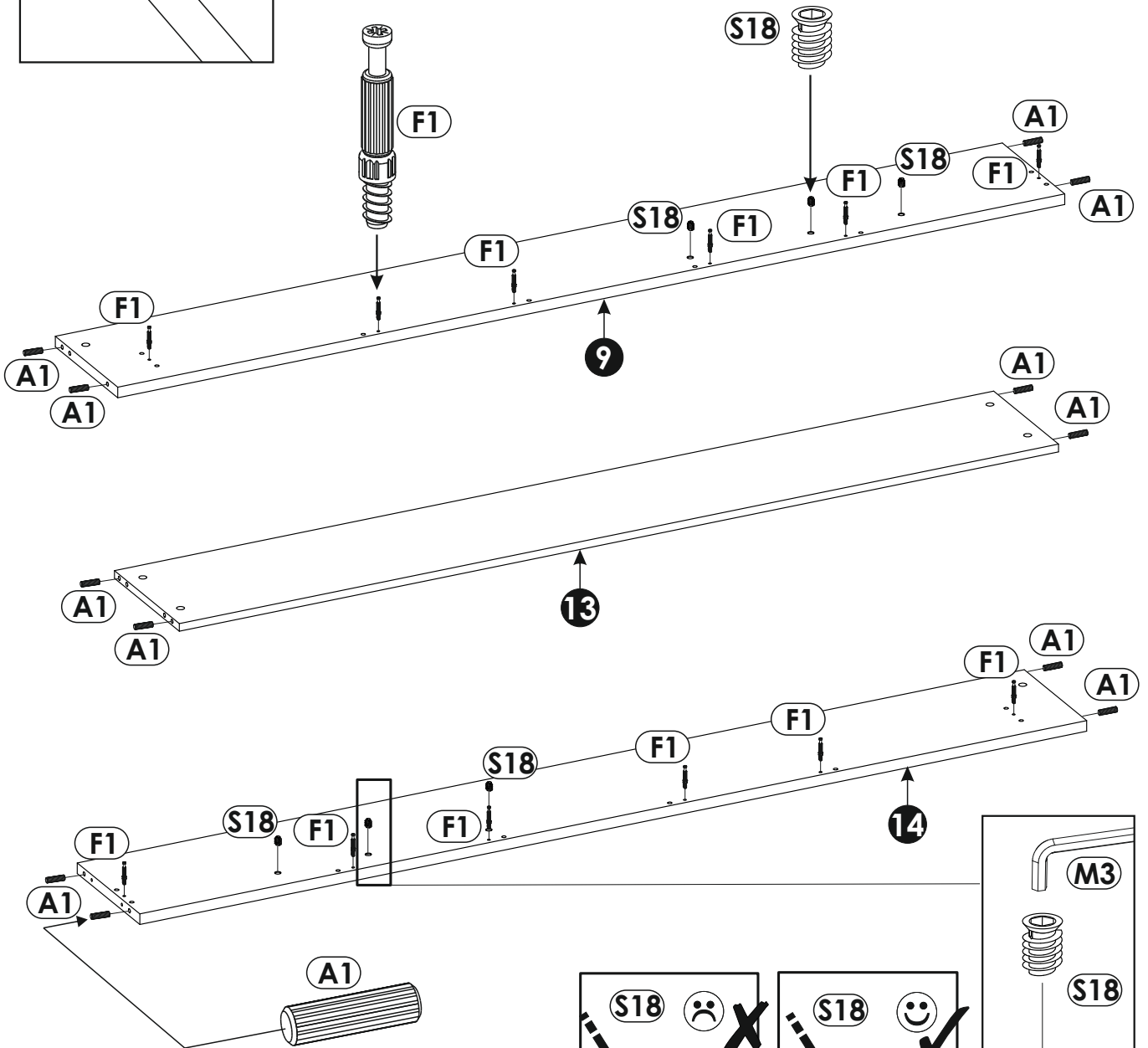
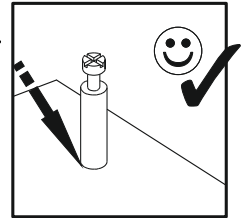
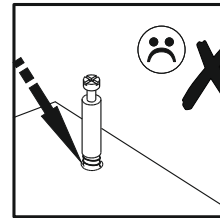
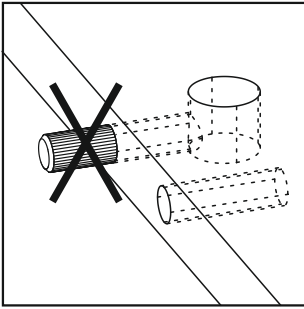
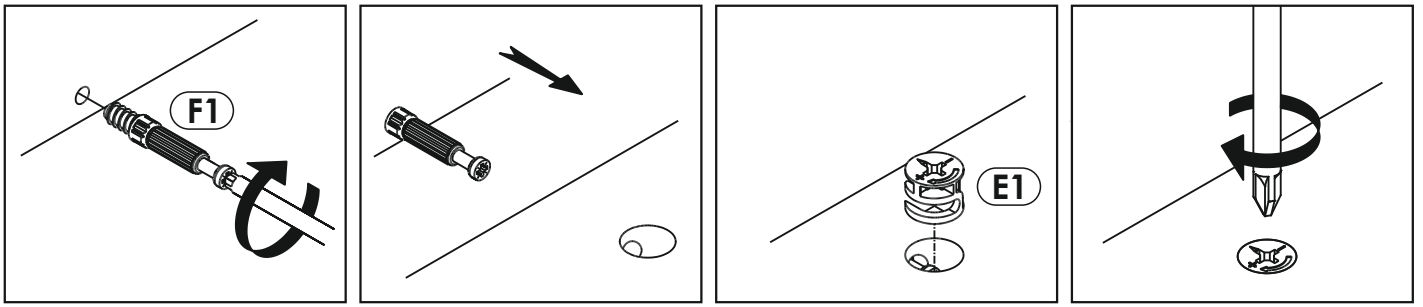
LINATE TYP 97



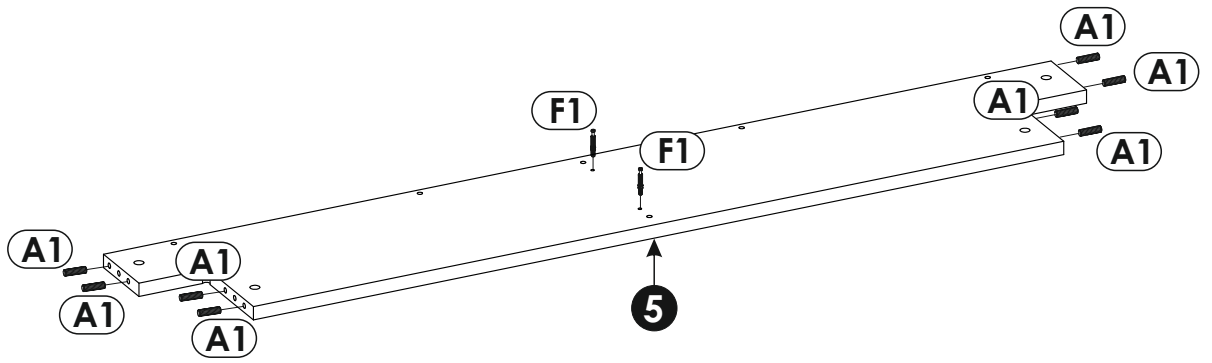
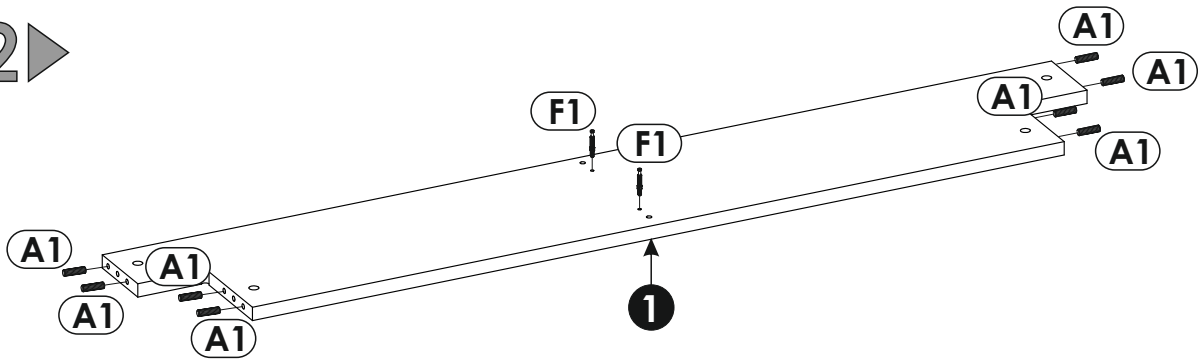
1	1402	275	22	x1	1/5
2	1452	595	19	x1	4/5
3	1452	280	16	x1	1/5
4	1452	160	19	x1	4/5
5	1402	275	22	x1	1/5
6	1402	134	16	x1	1/5

7	1452	265	19	x1	4/5
8	1402	100	16	x1	1/5
9	2010	265	22	x1	3/5
10	1910	139	16	x2	2/5
11	1994	64	16	x1	3/5
12	1910	116	16	x1	2/5

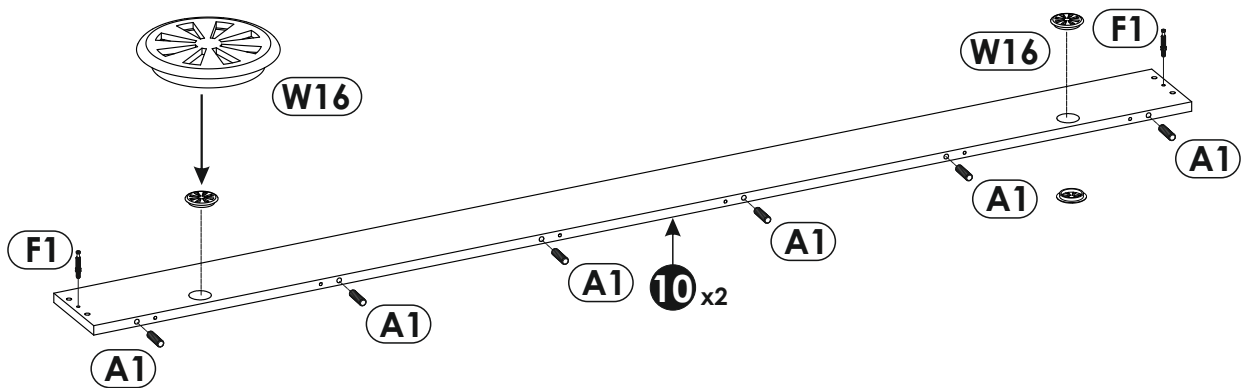
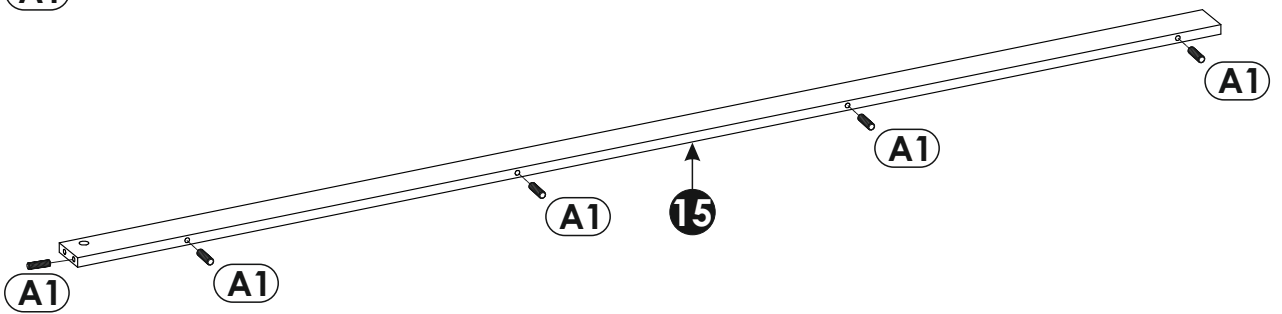
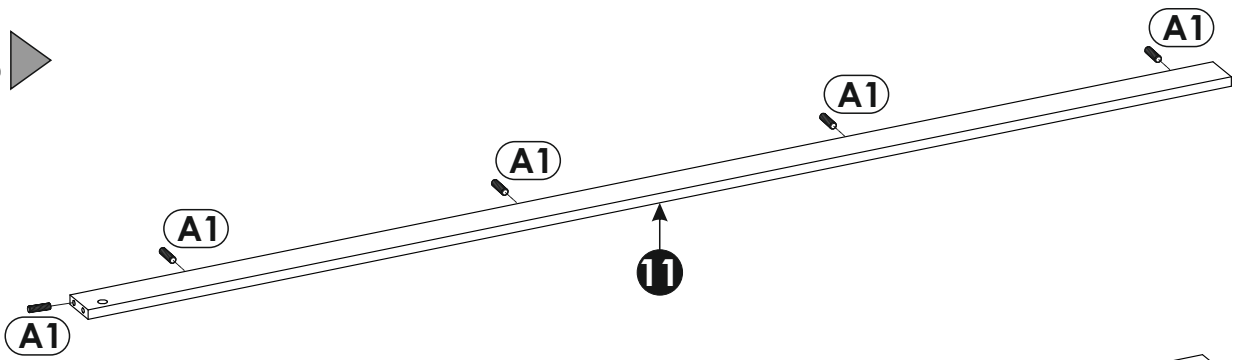
13	1866	275	16	x1	2/5
14	2010	265	22	x1	3/5
15	1994	64	16	x1	3/5
16	1910	116	16	x1	2/5
17	1904	598	3	x2	3/5



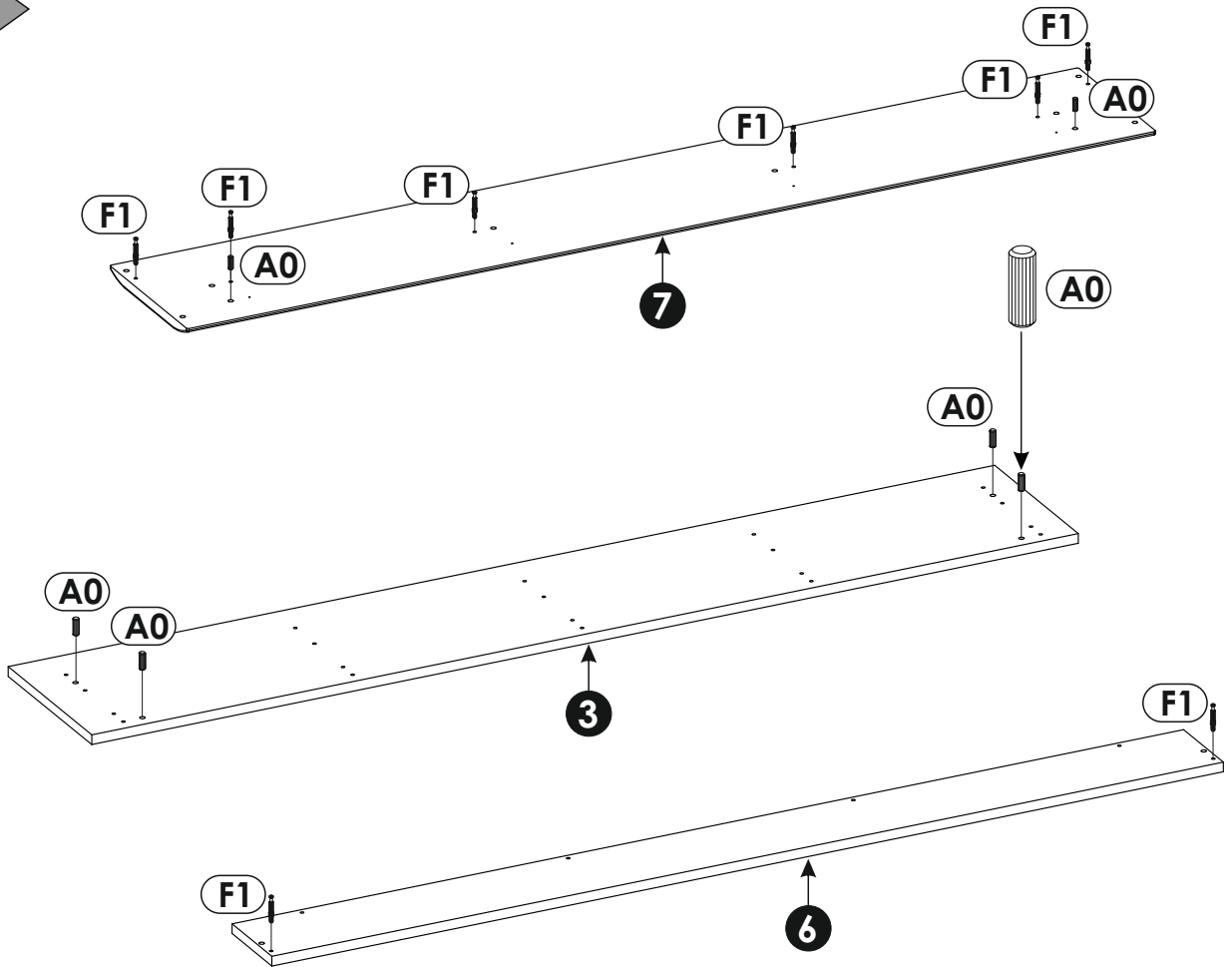
2 ▶



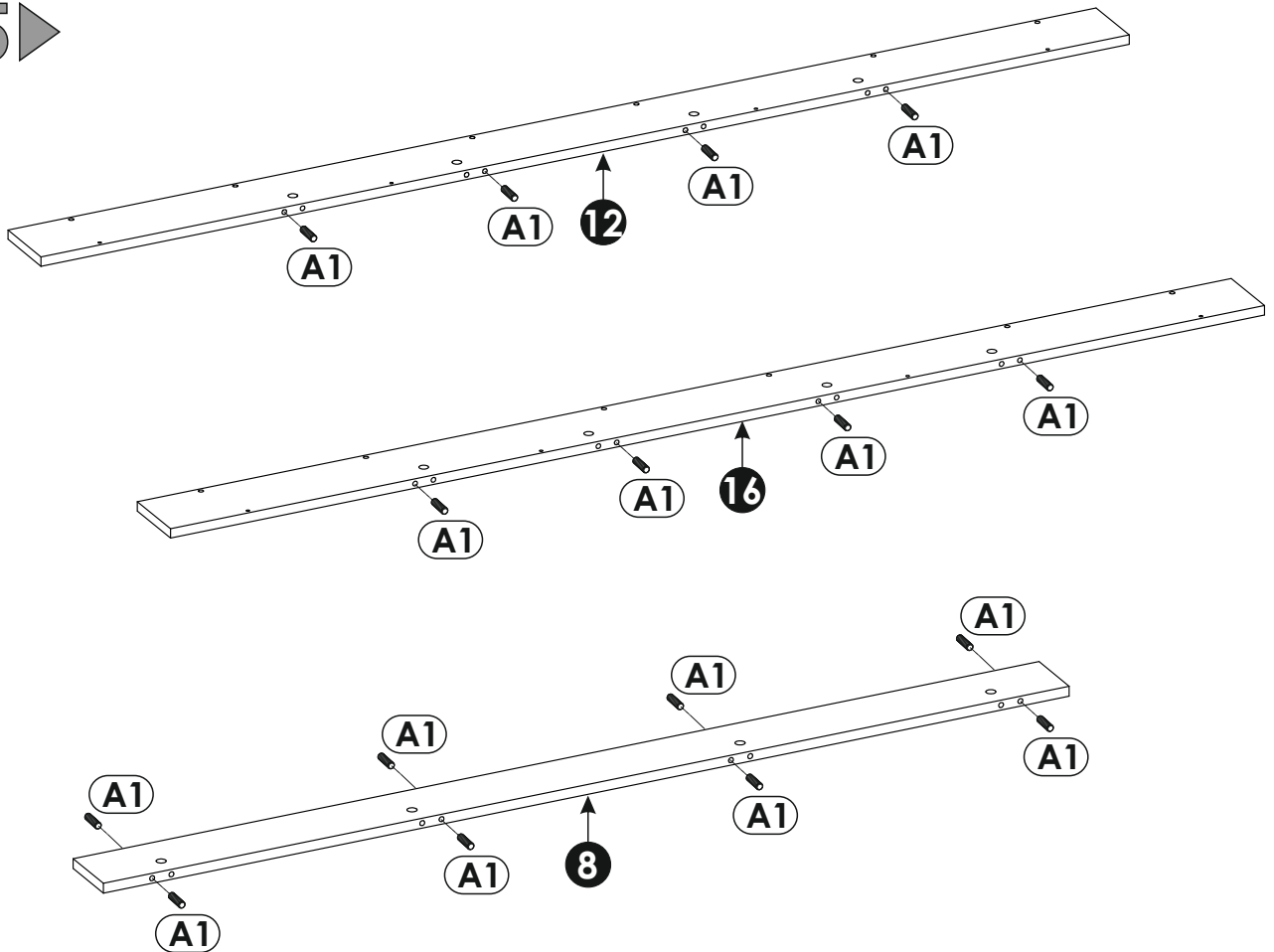
3 ▶



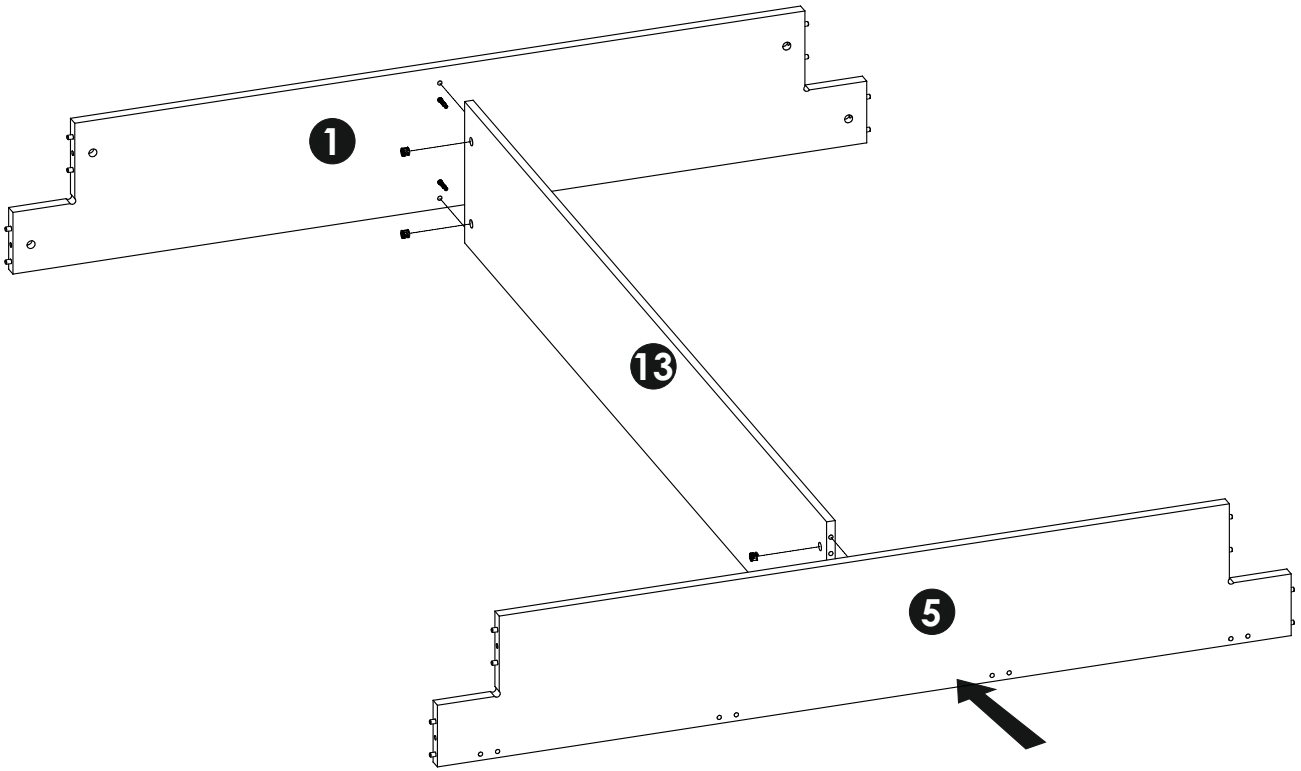
4 ▶



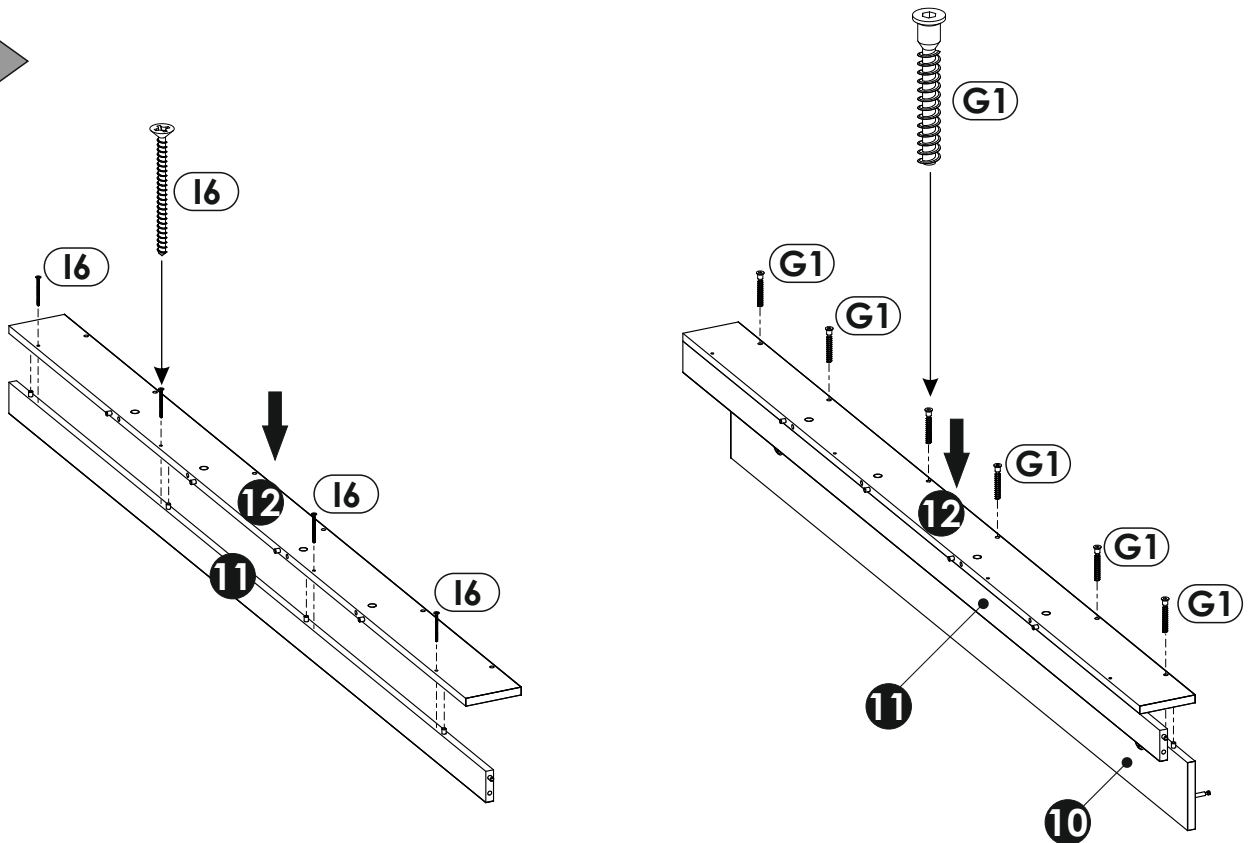
5 ▶



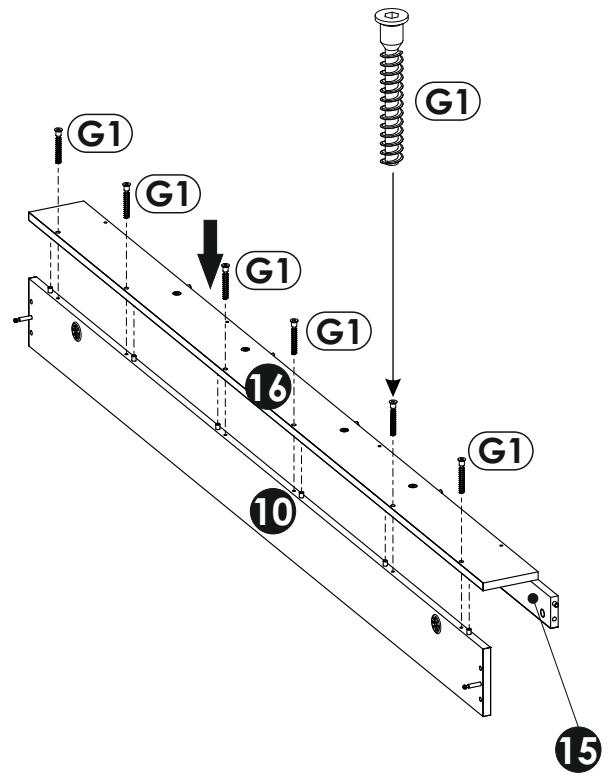
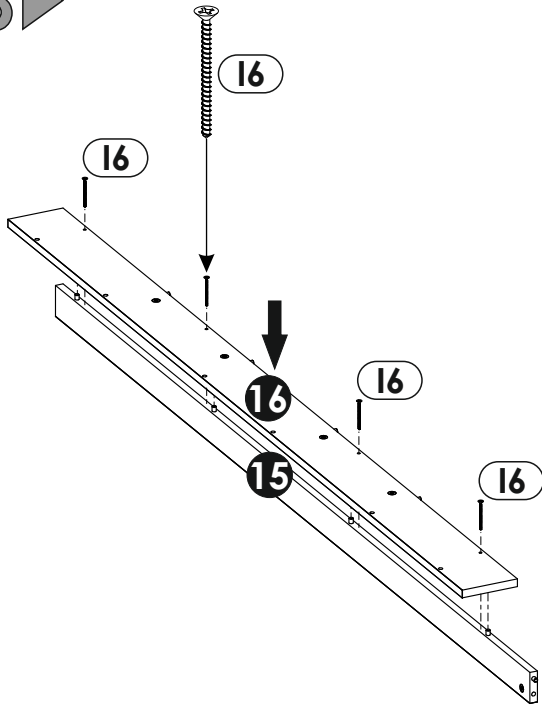
6 ▶



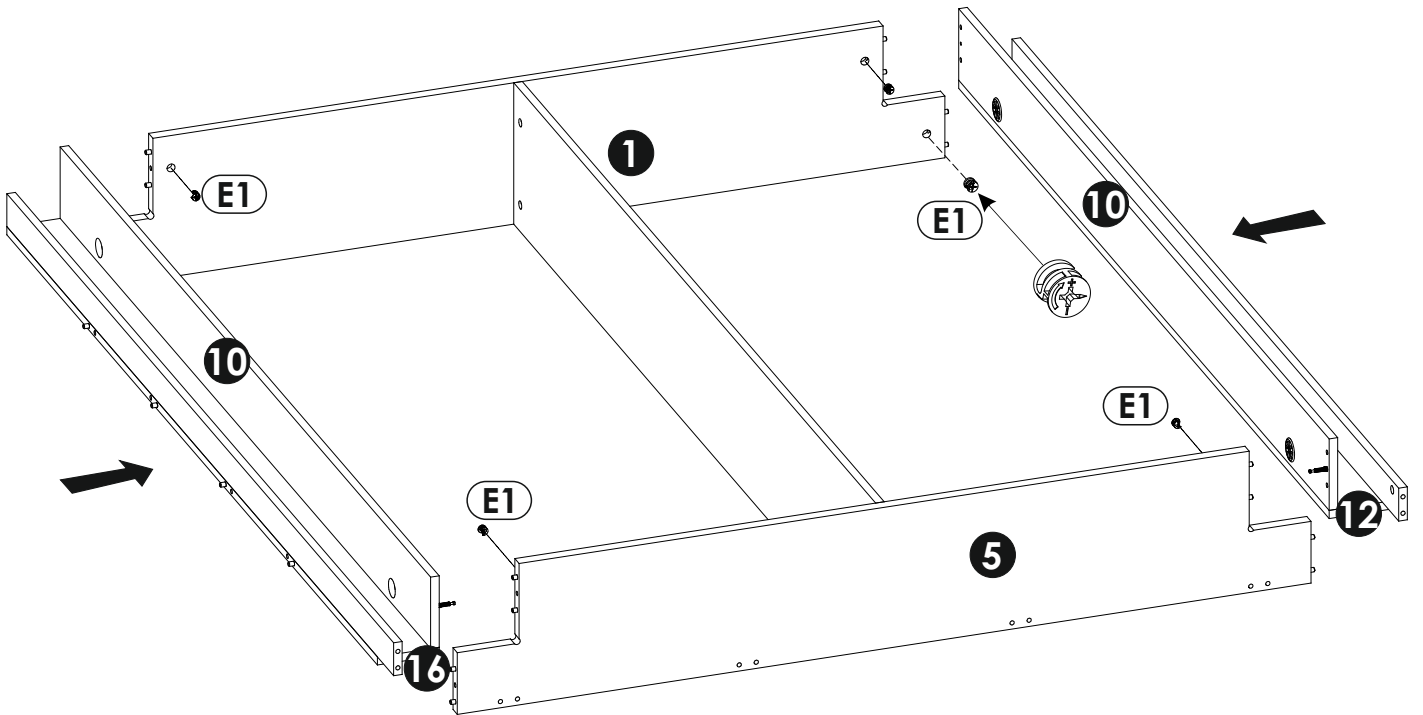
7 ▶



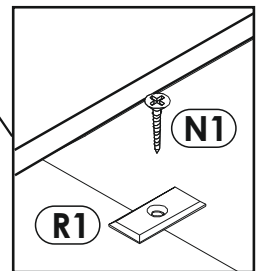
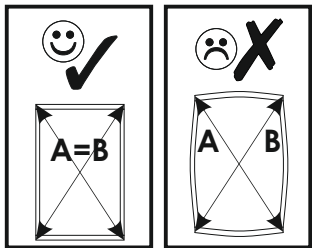
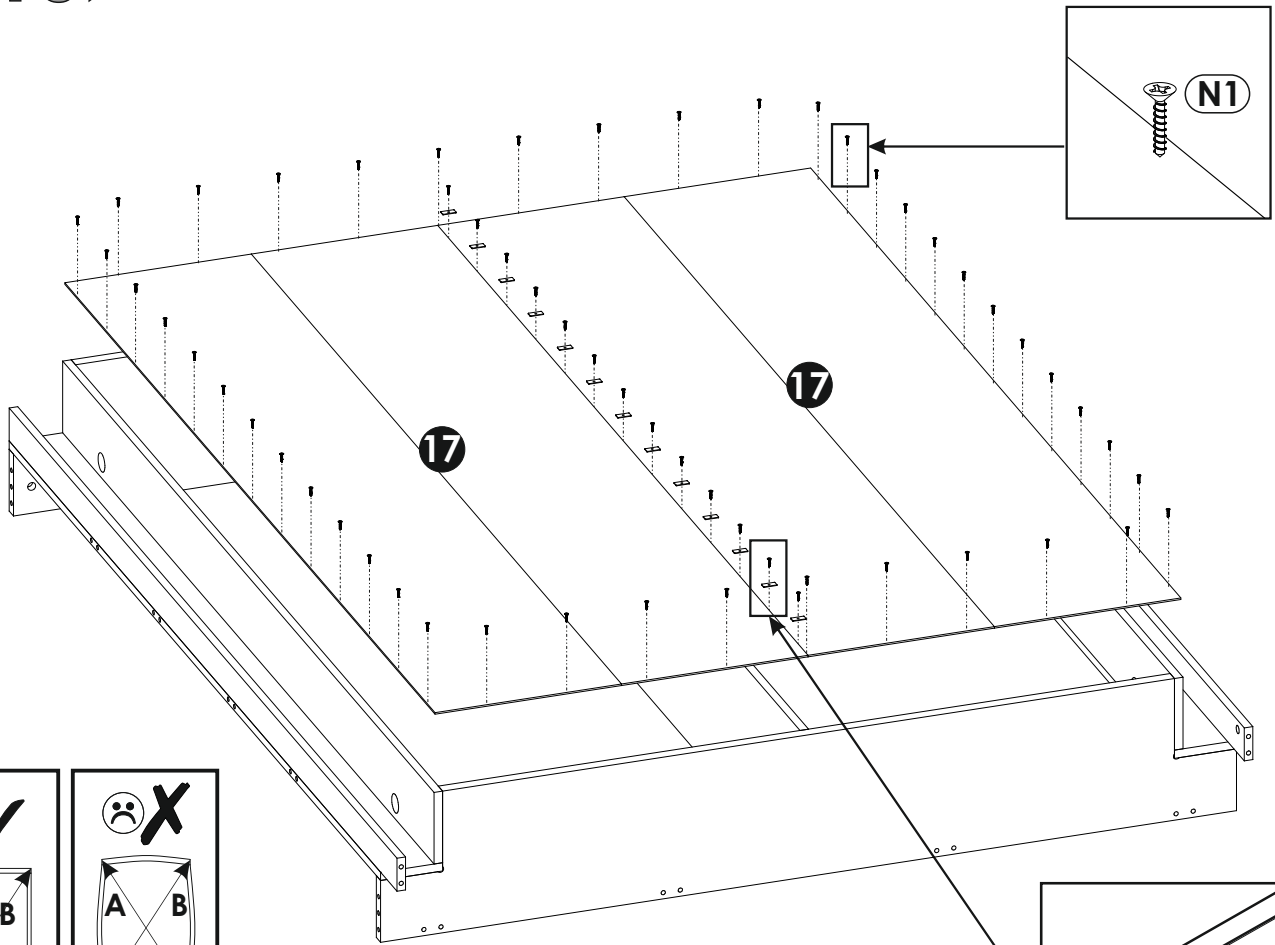
8 ▶



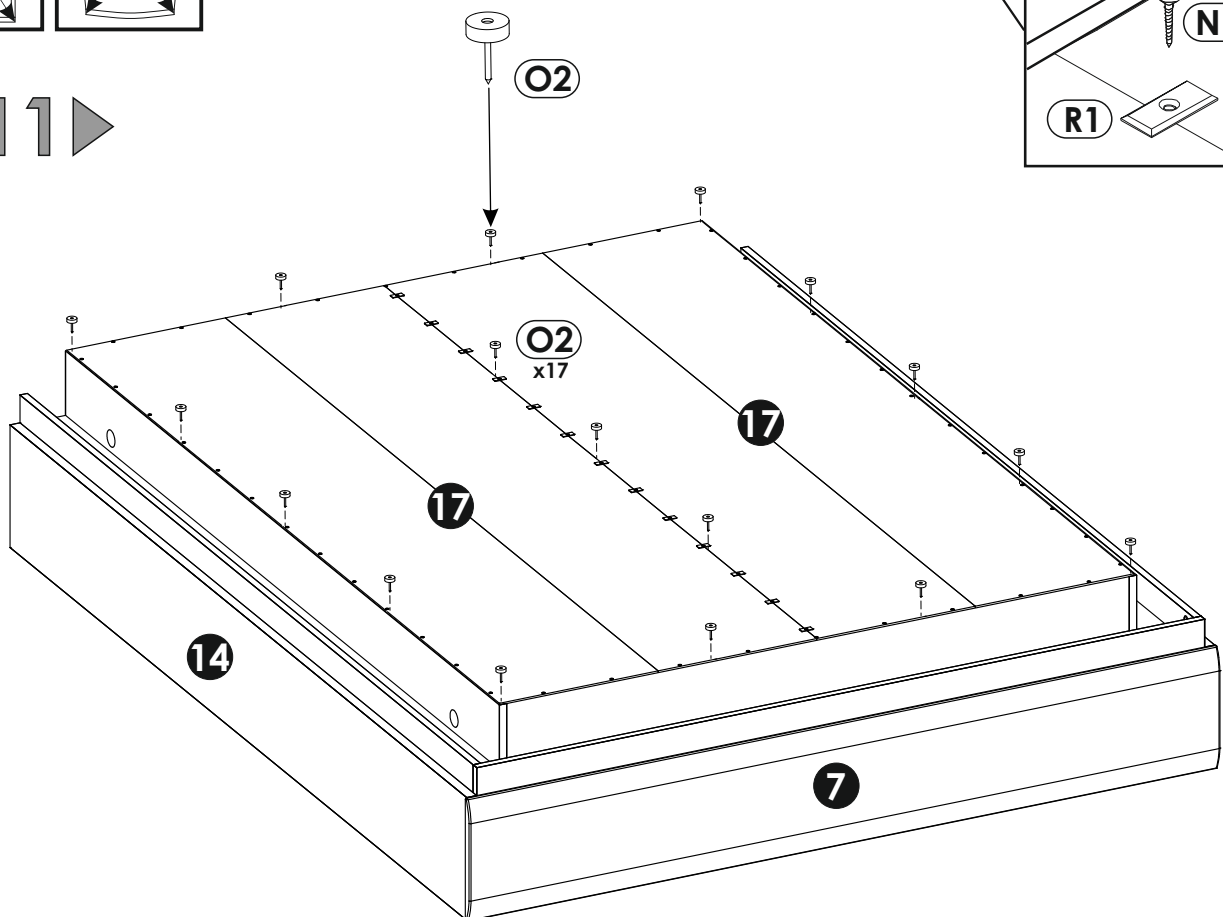
9 ▶



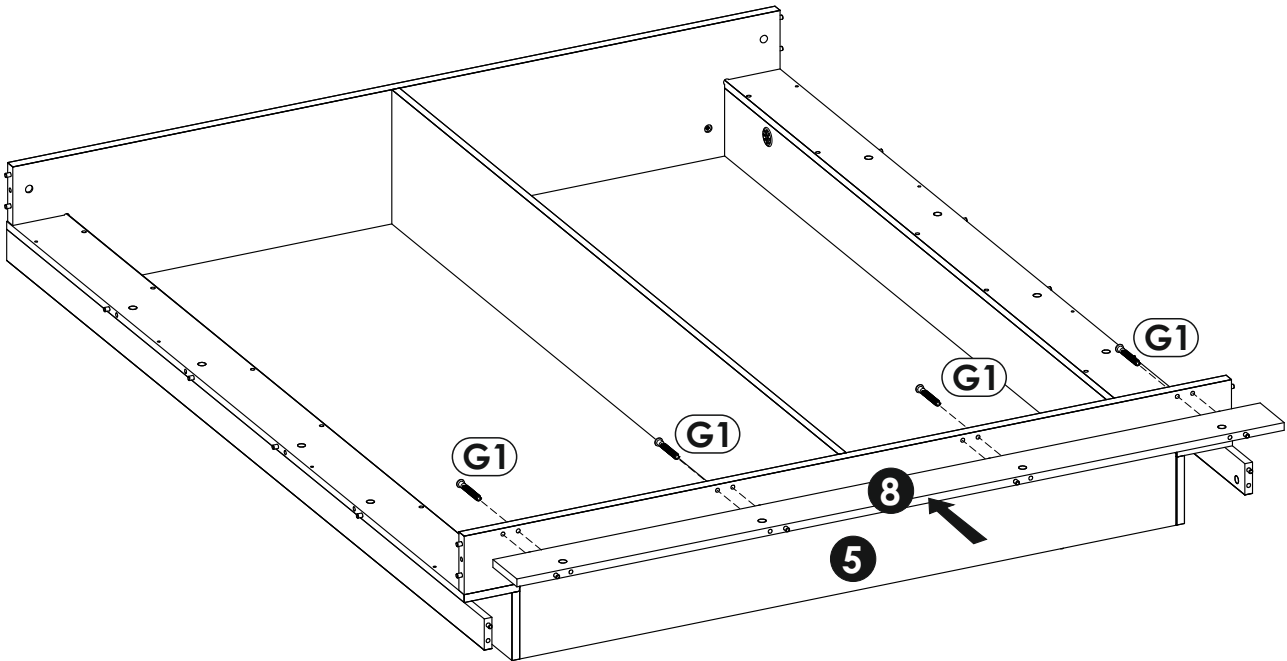
10 ▶



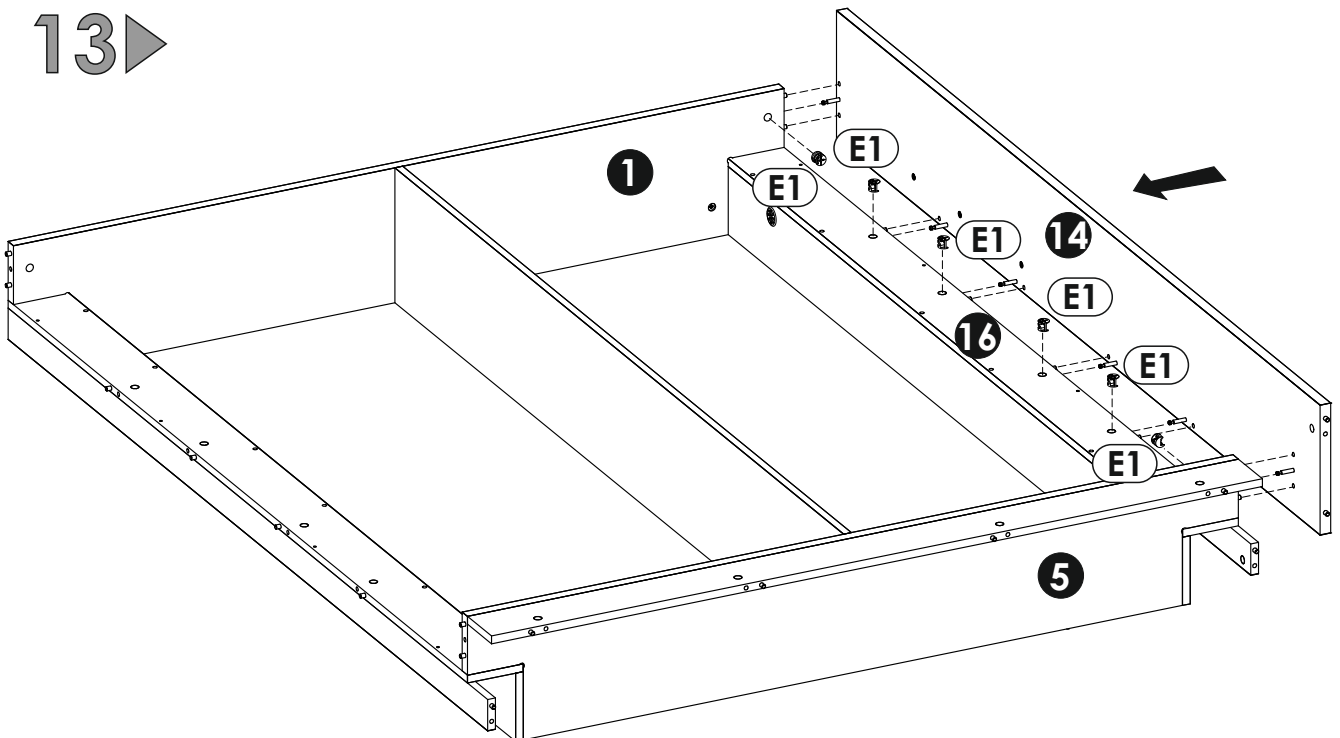
11 ▶

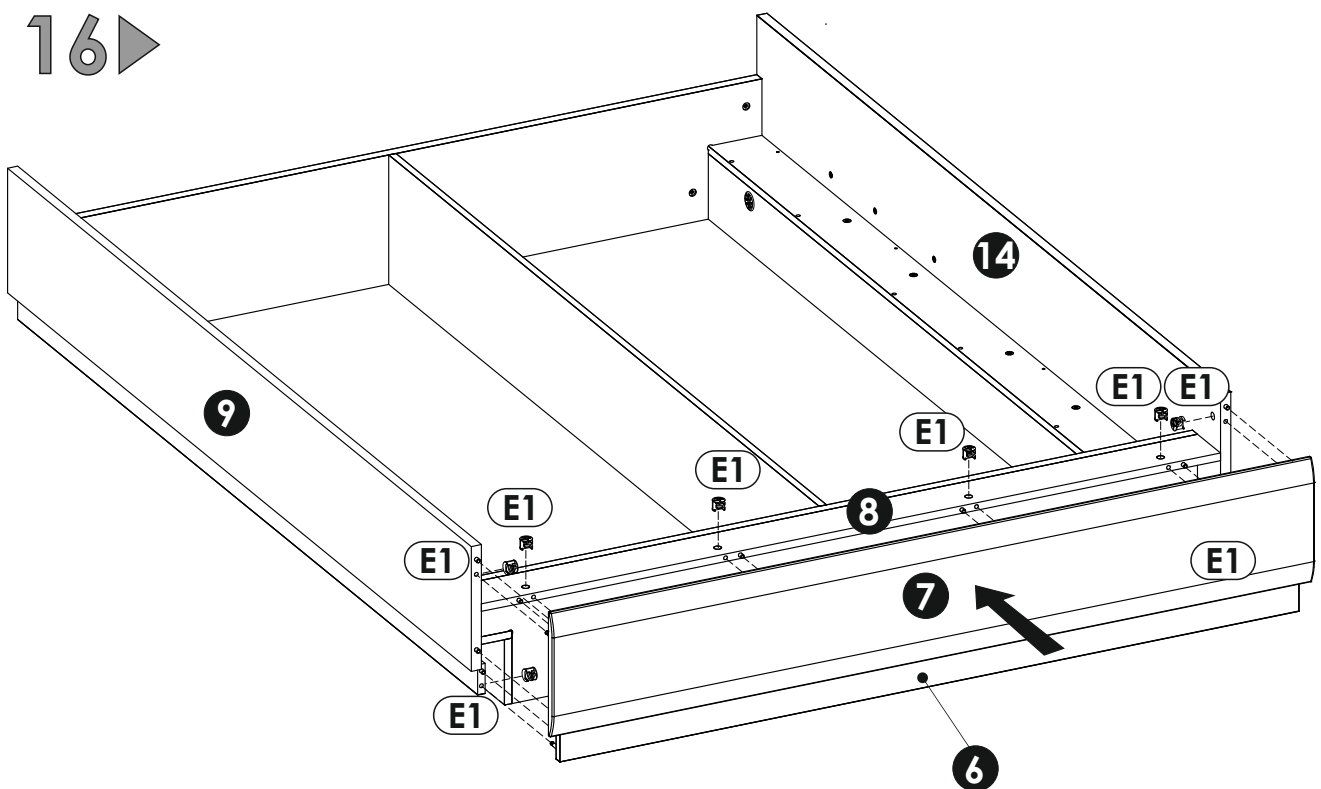
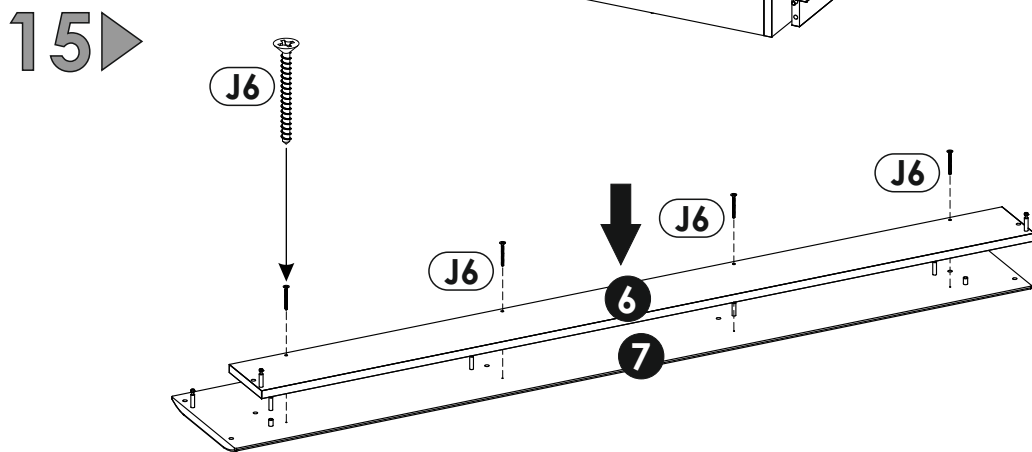
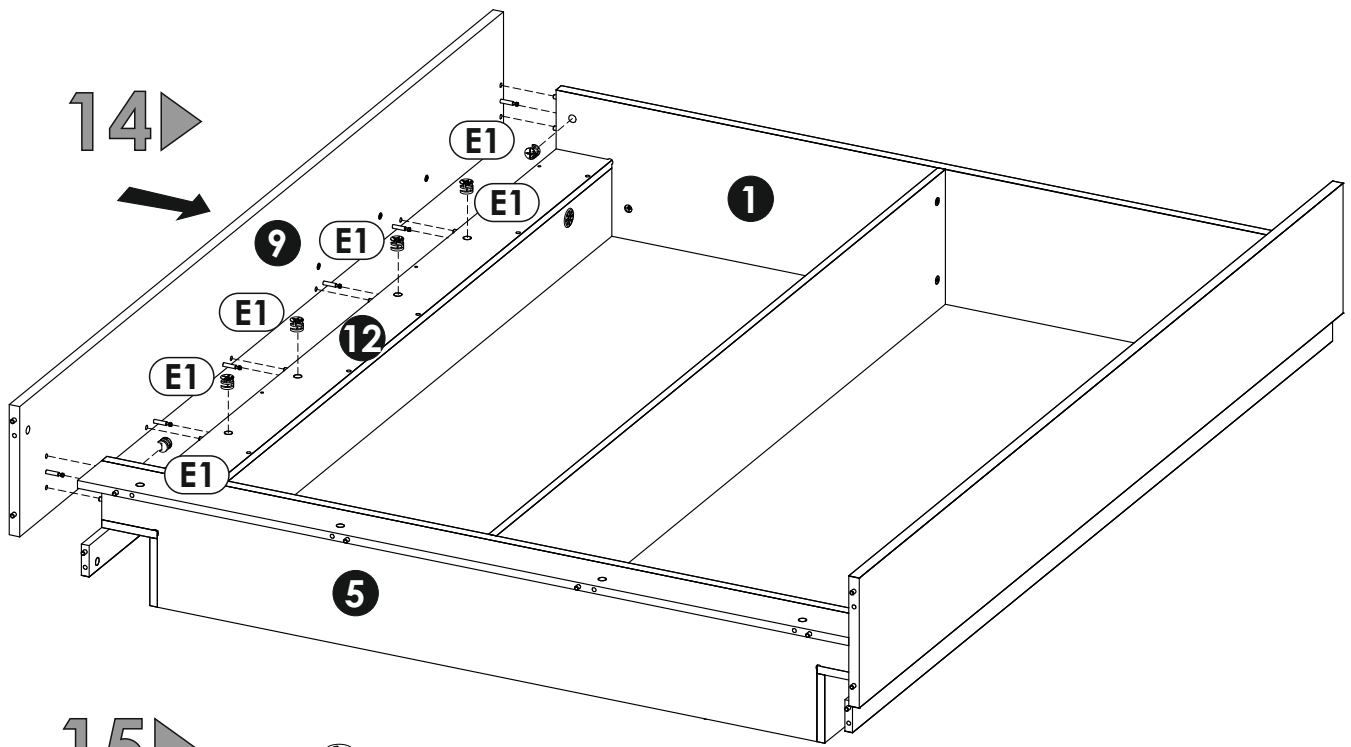


12▶

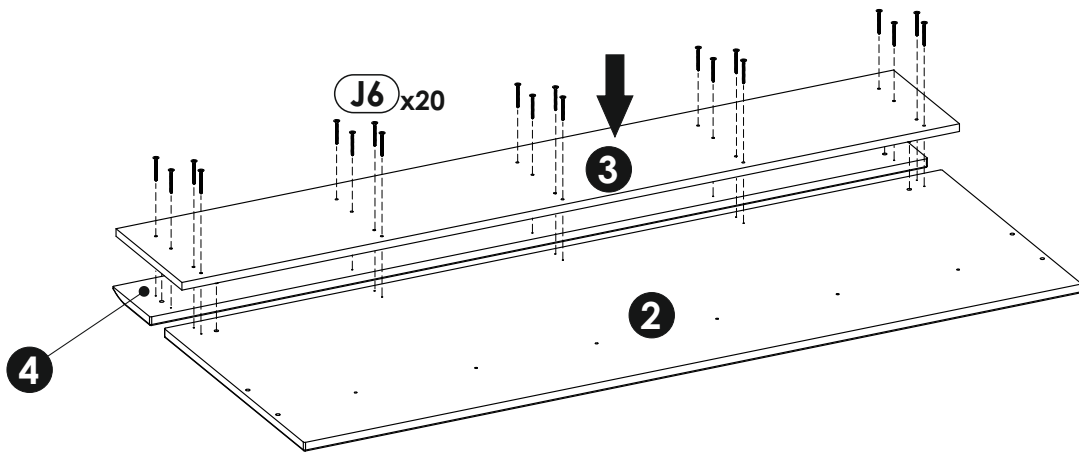


13▶

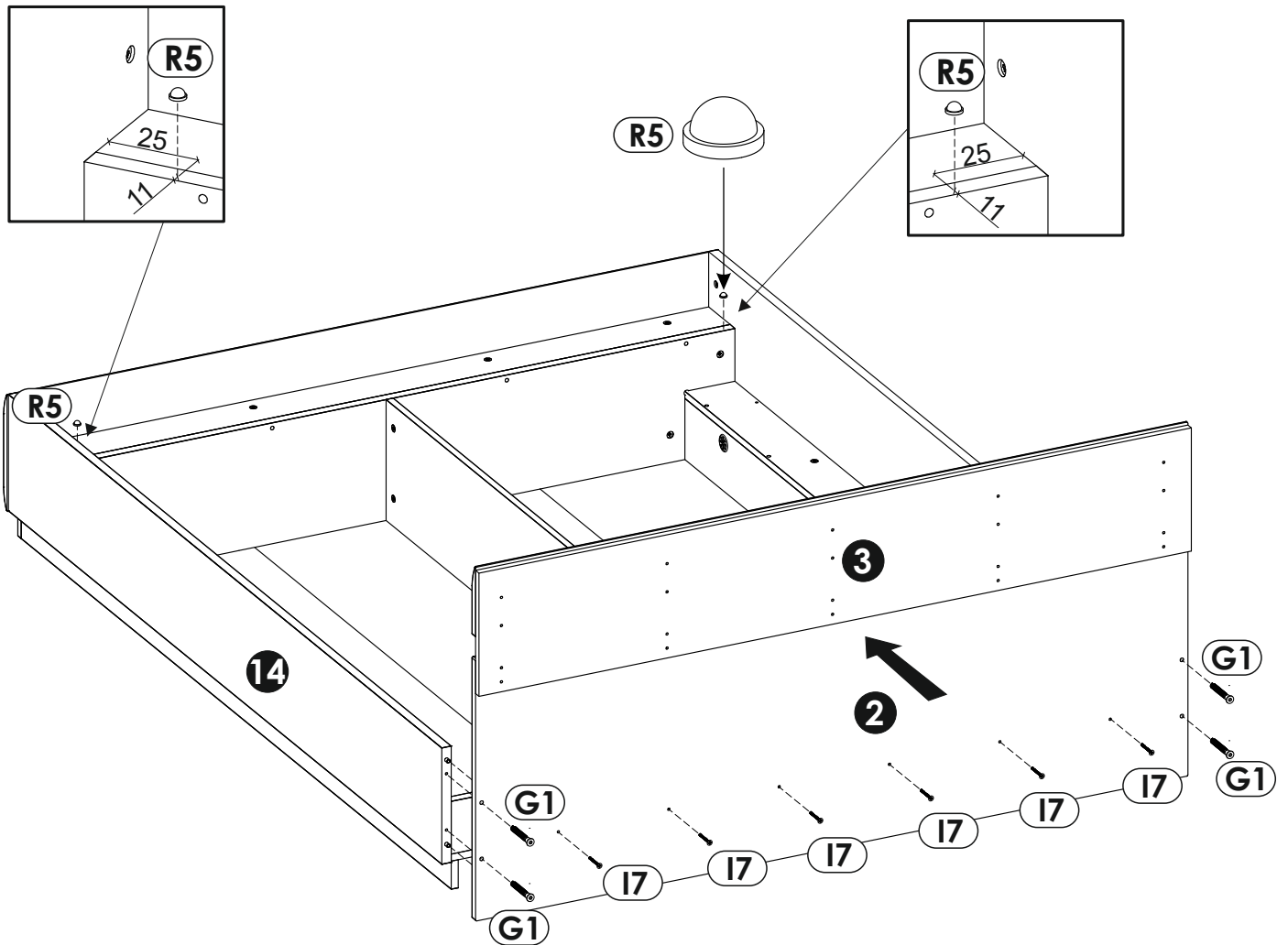




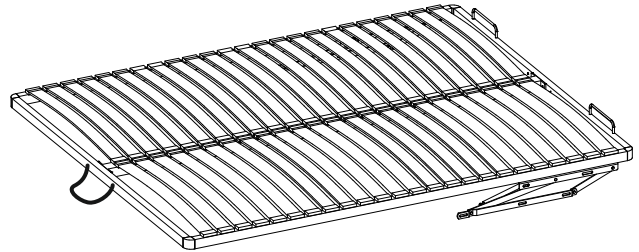
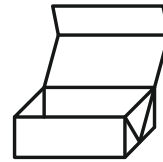
17▶



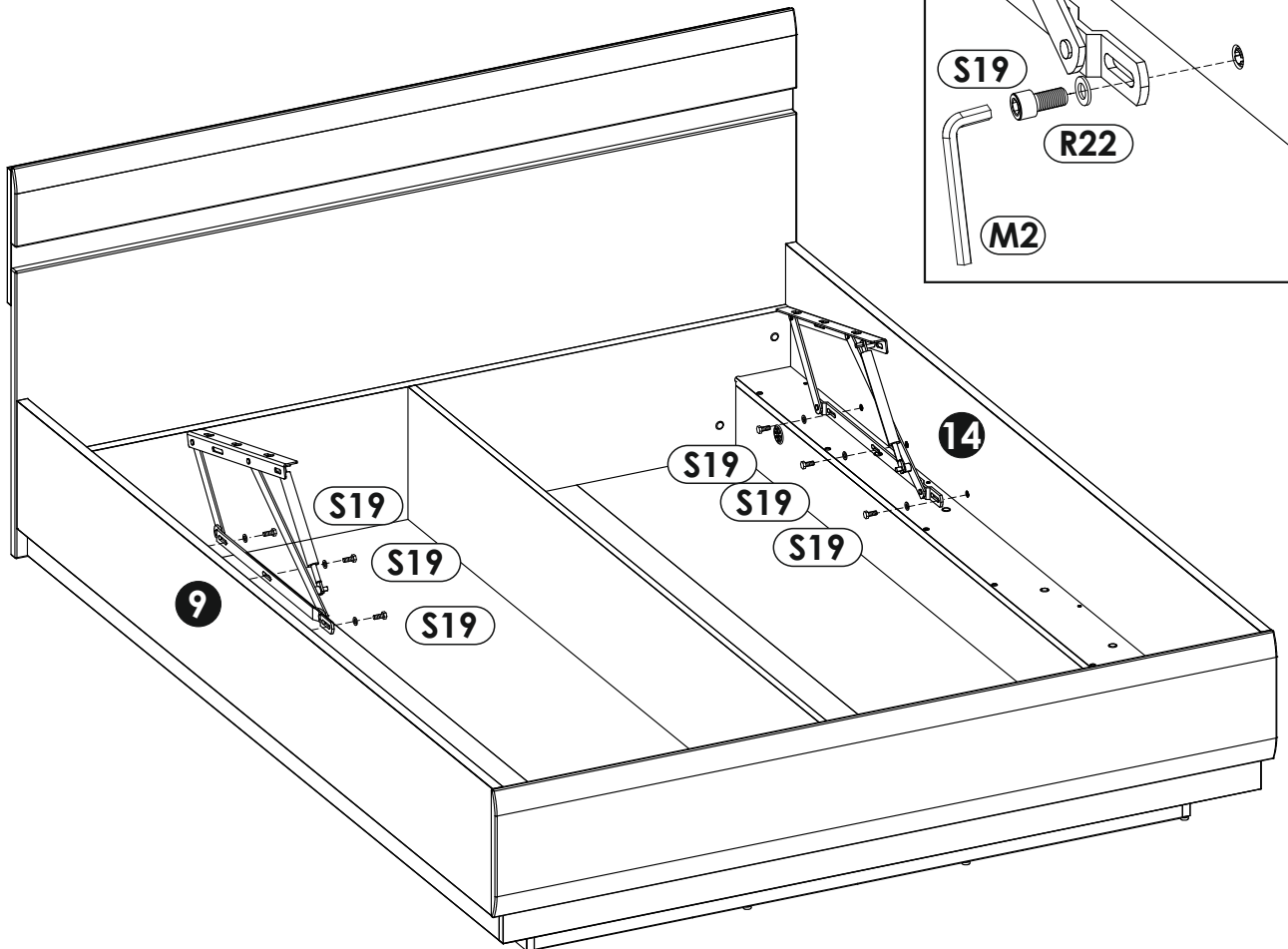
18▶



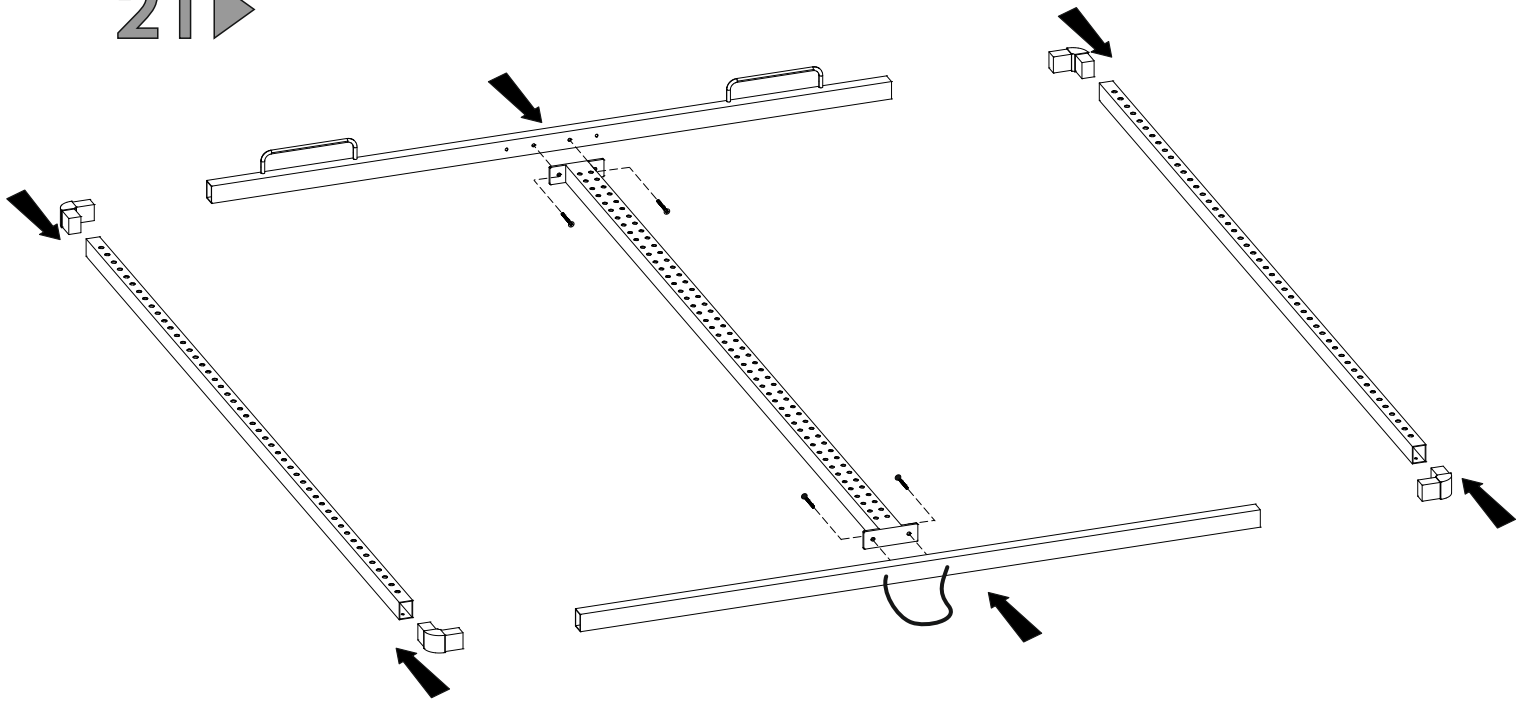
19▶



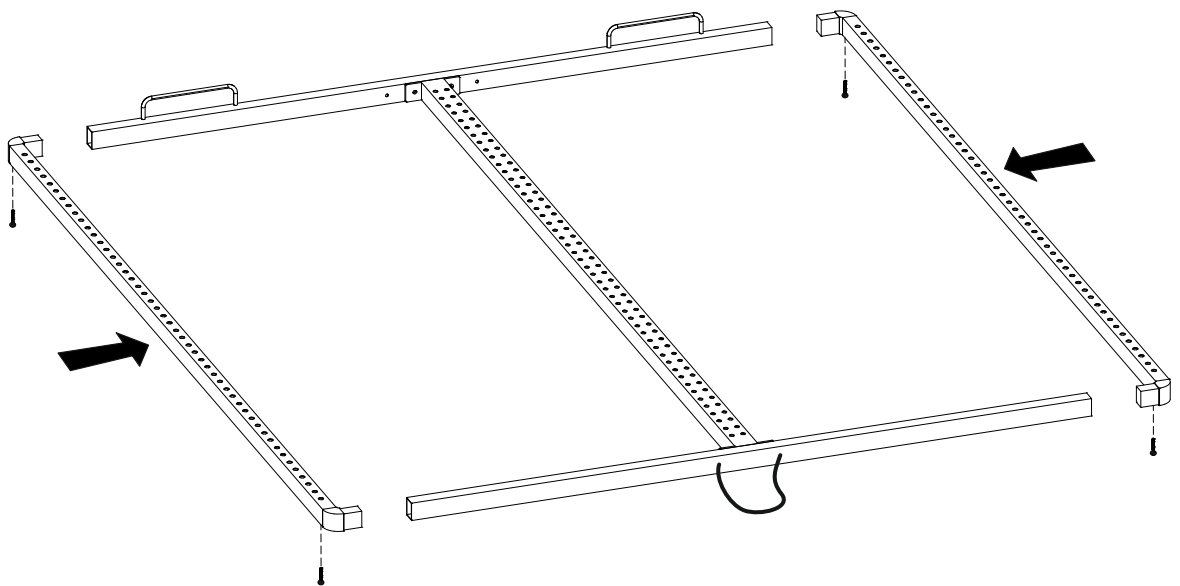
20▶



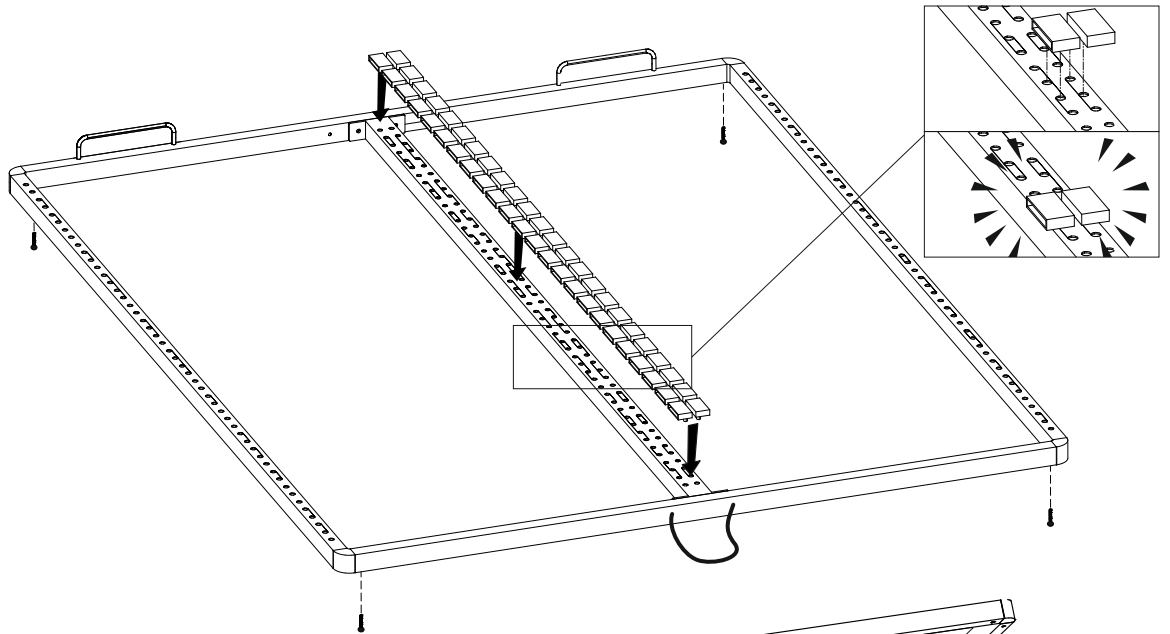
21 ▶



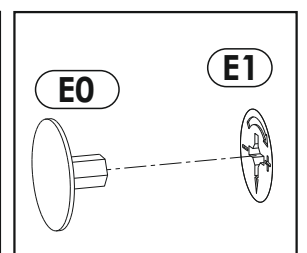
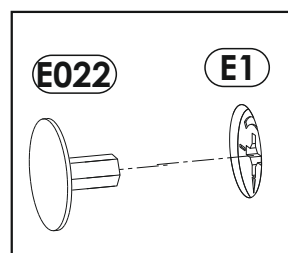
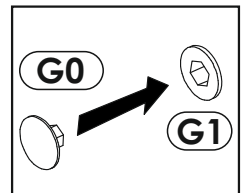
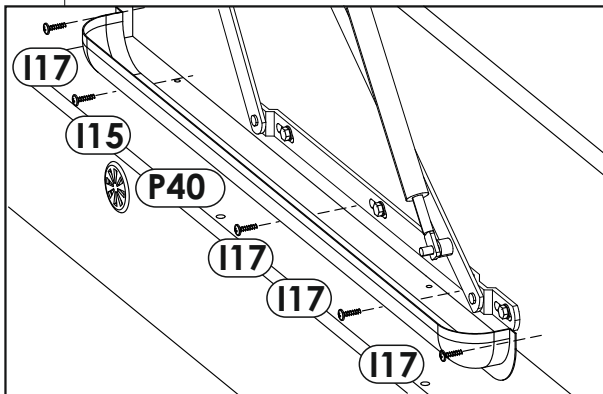
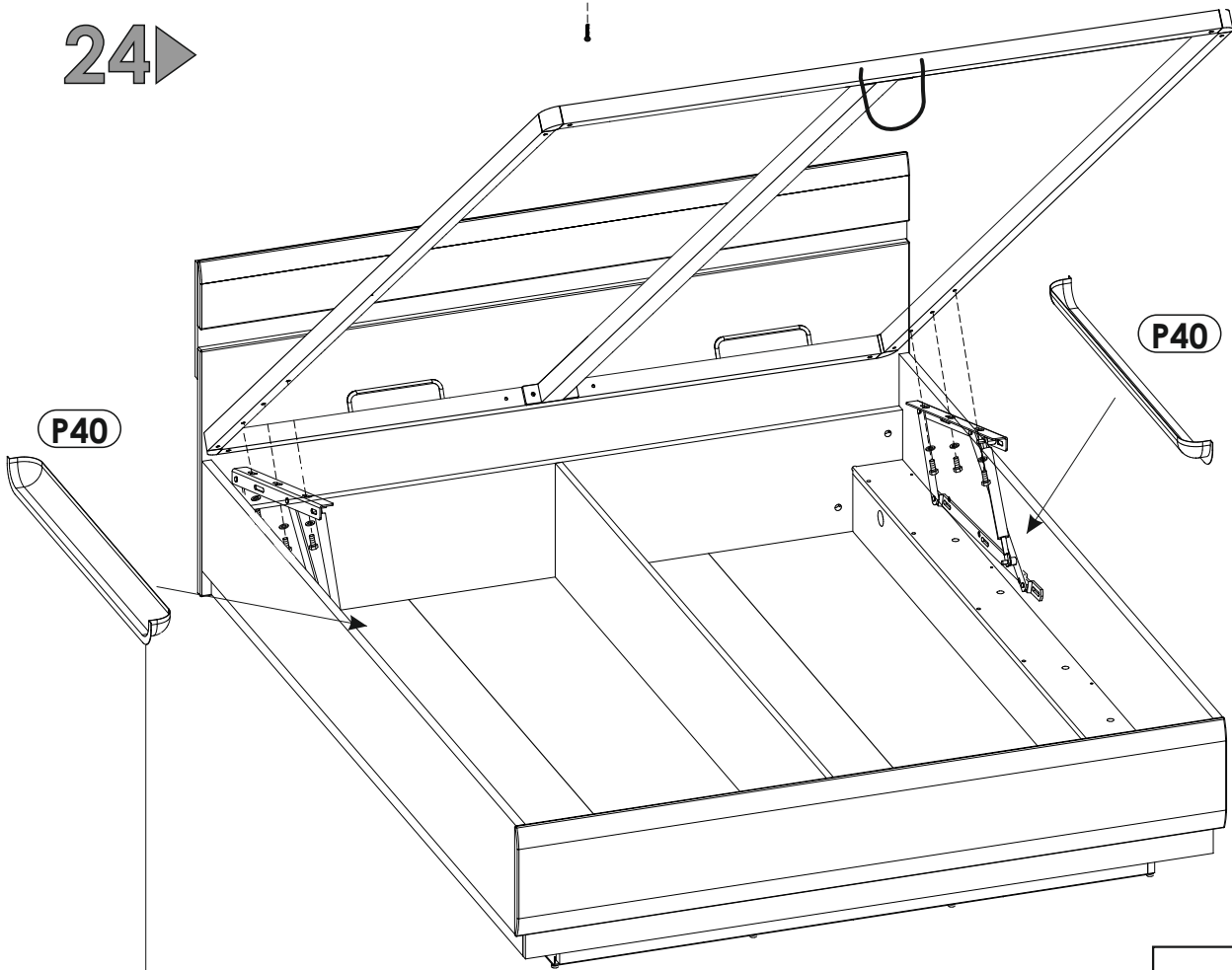
22 ▶



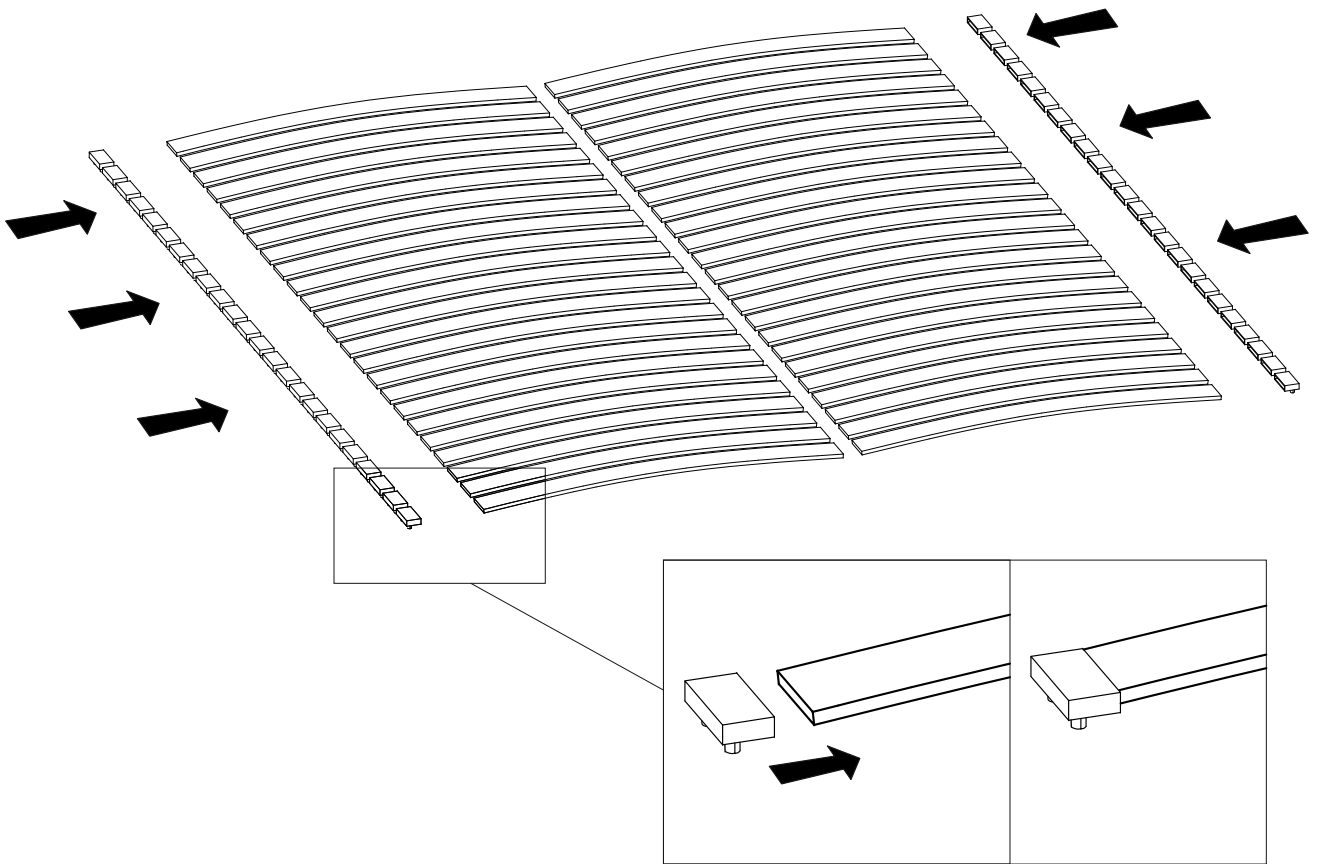
23▶



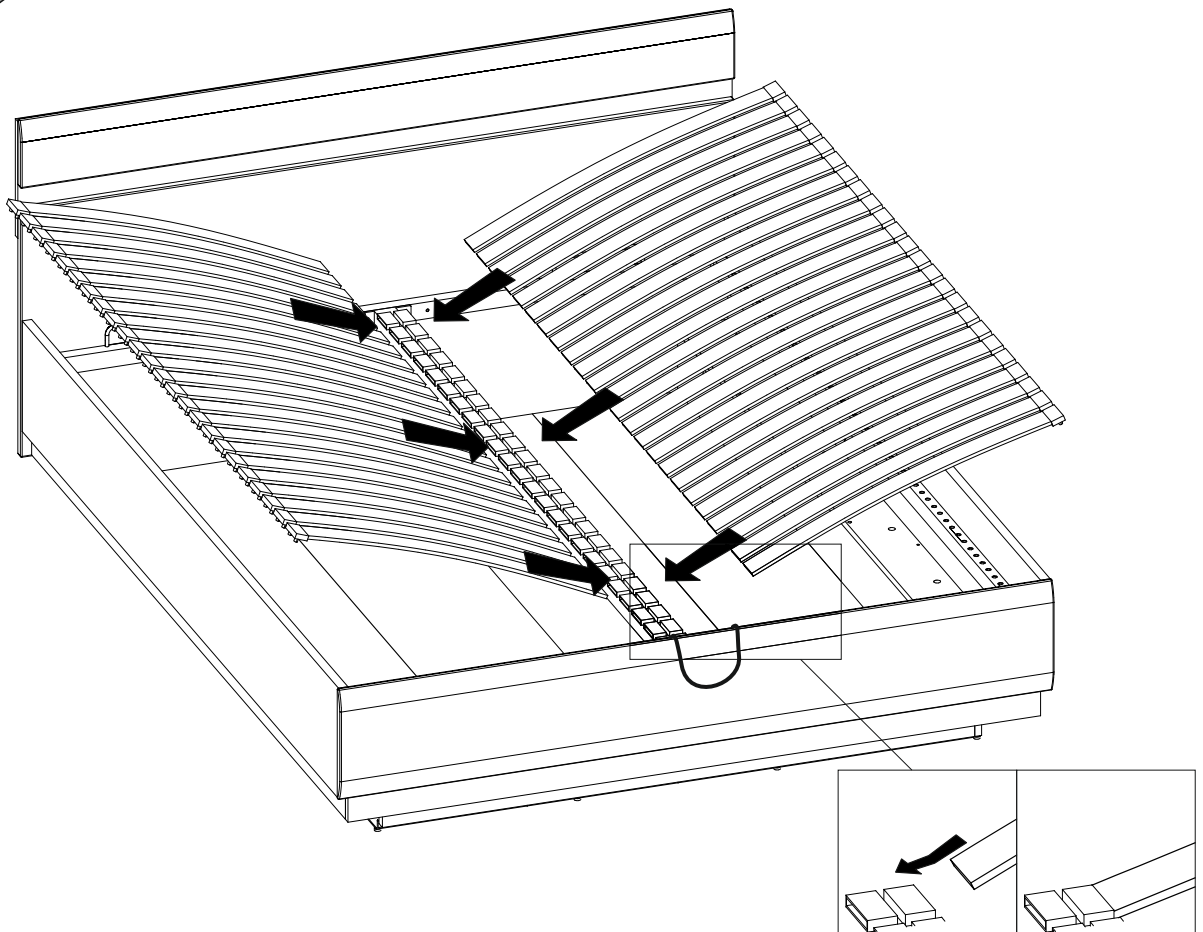
24▶



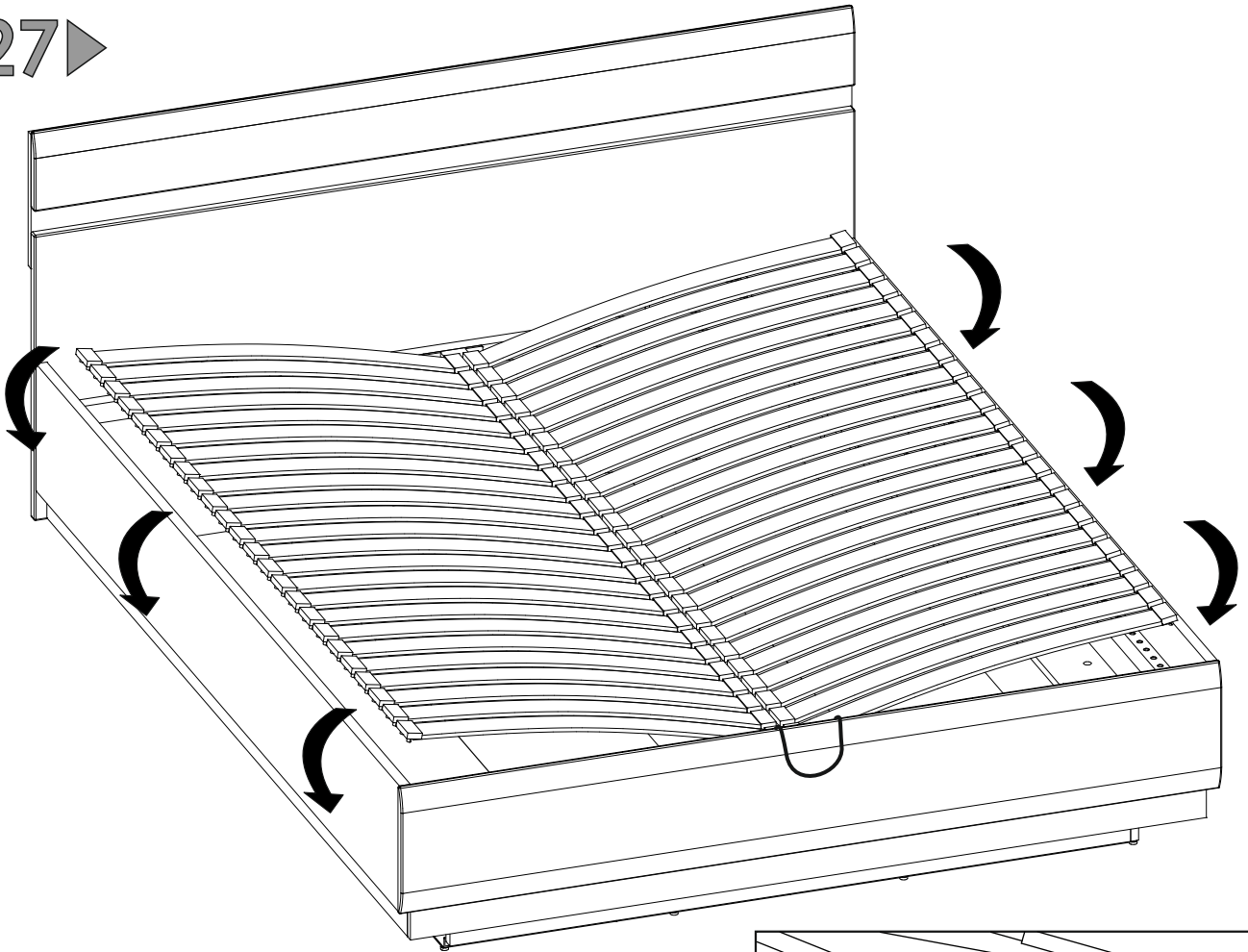
25▶



26▶



27▶



28▶

