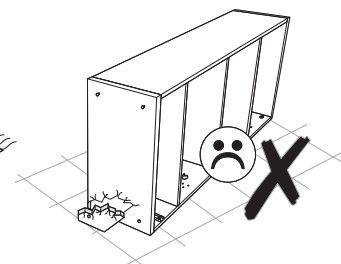
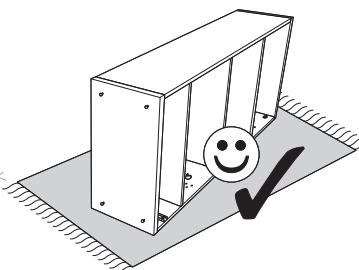
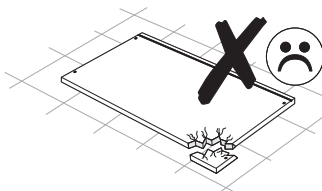
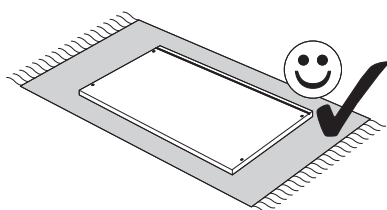
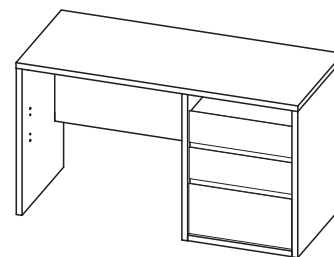
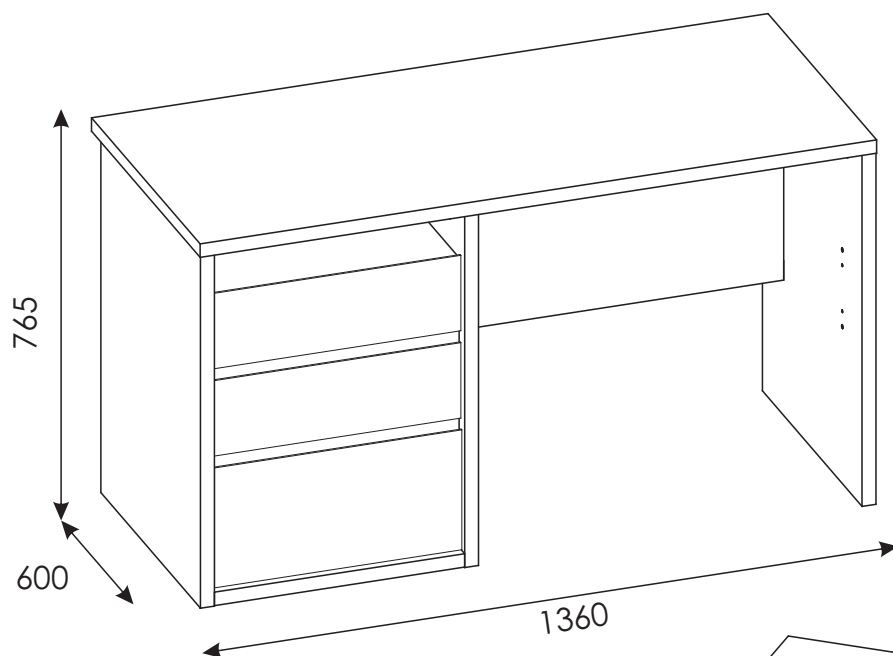
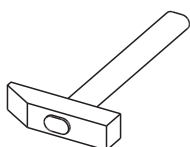
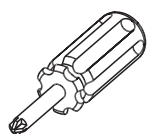
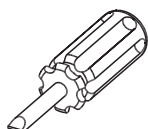
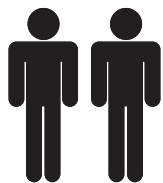
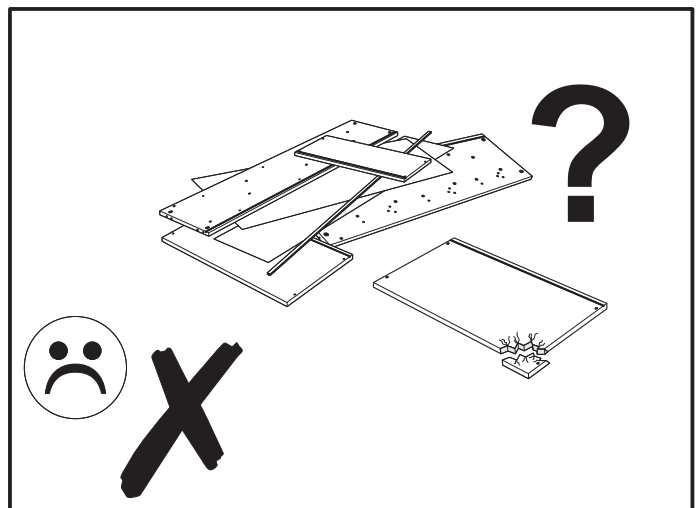
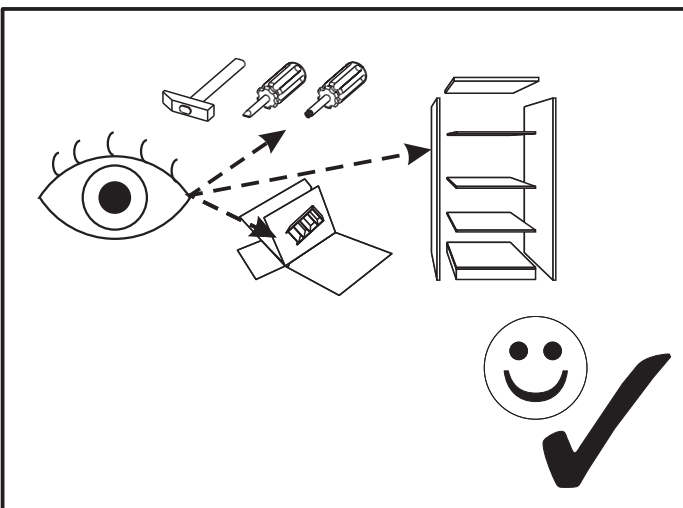
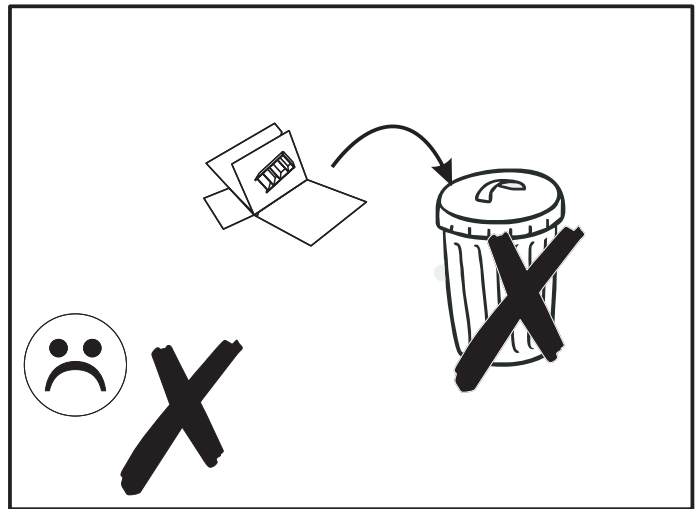
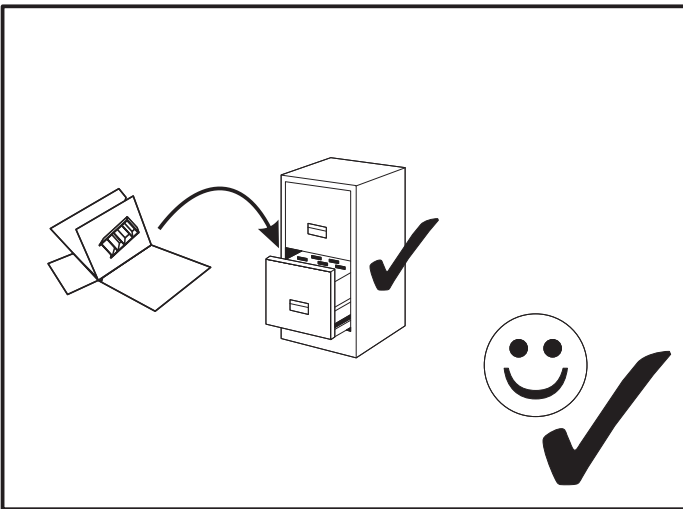
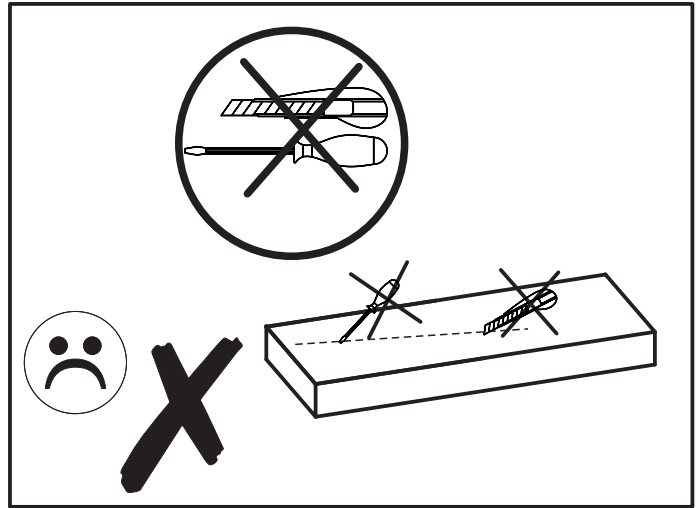
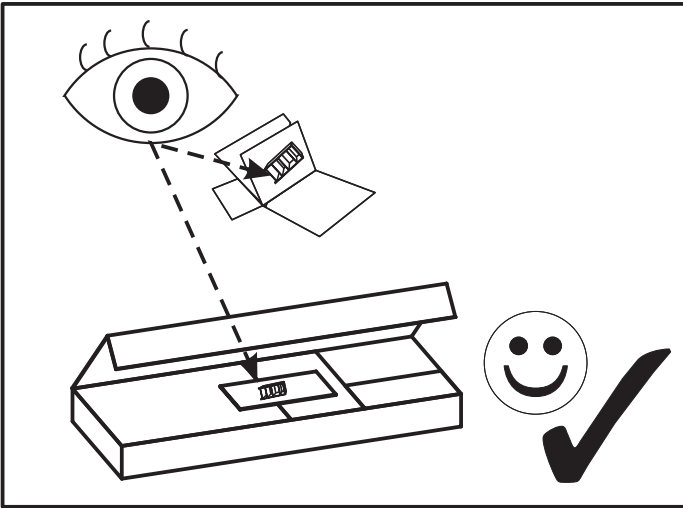
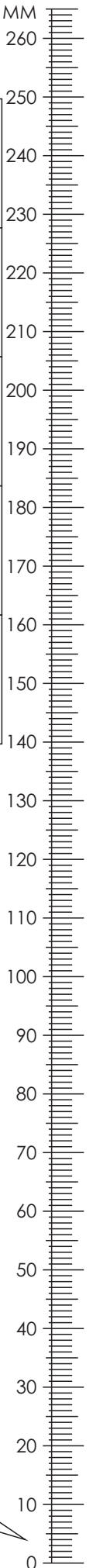


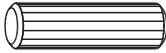





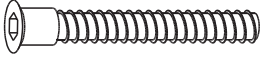

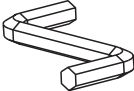

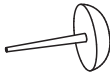




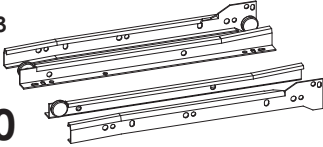
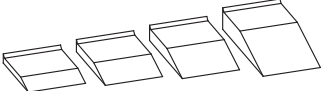
SHETLAND - 80

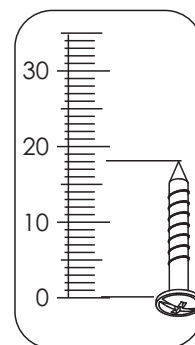




SHETLAND - 80

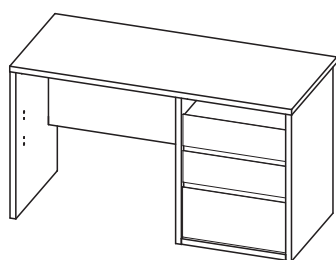


<p>A1 x49 $\varnothing 8 \times 35\text{mm}$</p> 	<p>C2 x12 EURO 5 x 13mm</p> 	<p>E0 x24</p> 
<p>E1 24 $\varnothing 15 \times 12\text{mm}$</p> 	<p>F1 x24</p> 	<p>G0 x6</p> 
<p>G1 x6 $\varnothing 7 \times 50\text{mm}$</p> 	<p>J1 x18 US 3 x 20mm</p> 	<p>M x1</p> 
<p>N1 x20 US 3 x 16mm</p> 	<p>O2 x6</p> 	<p>P0 x8 $\varnothing 5$</p> 
<p>P9 x9 $\varnothing 8$</p> 	<p>R4 x9</p> 	<p>R8 x6</p> 
<p>T3 x3 L-350</p> 	<p>Z x1</p> 	

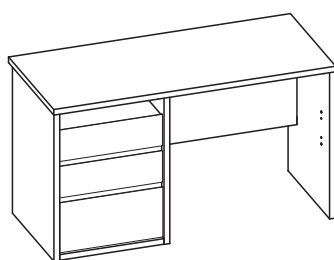


SHETLAND - 80

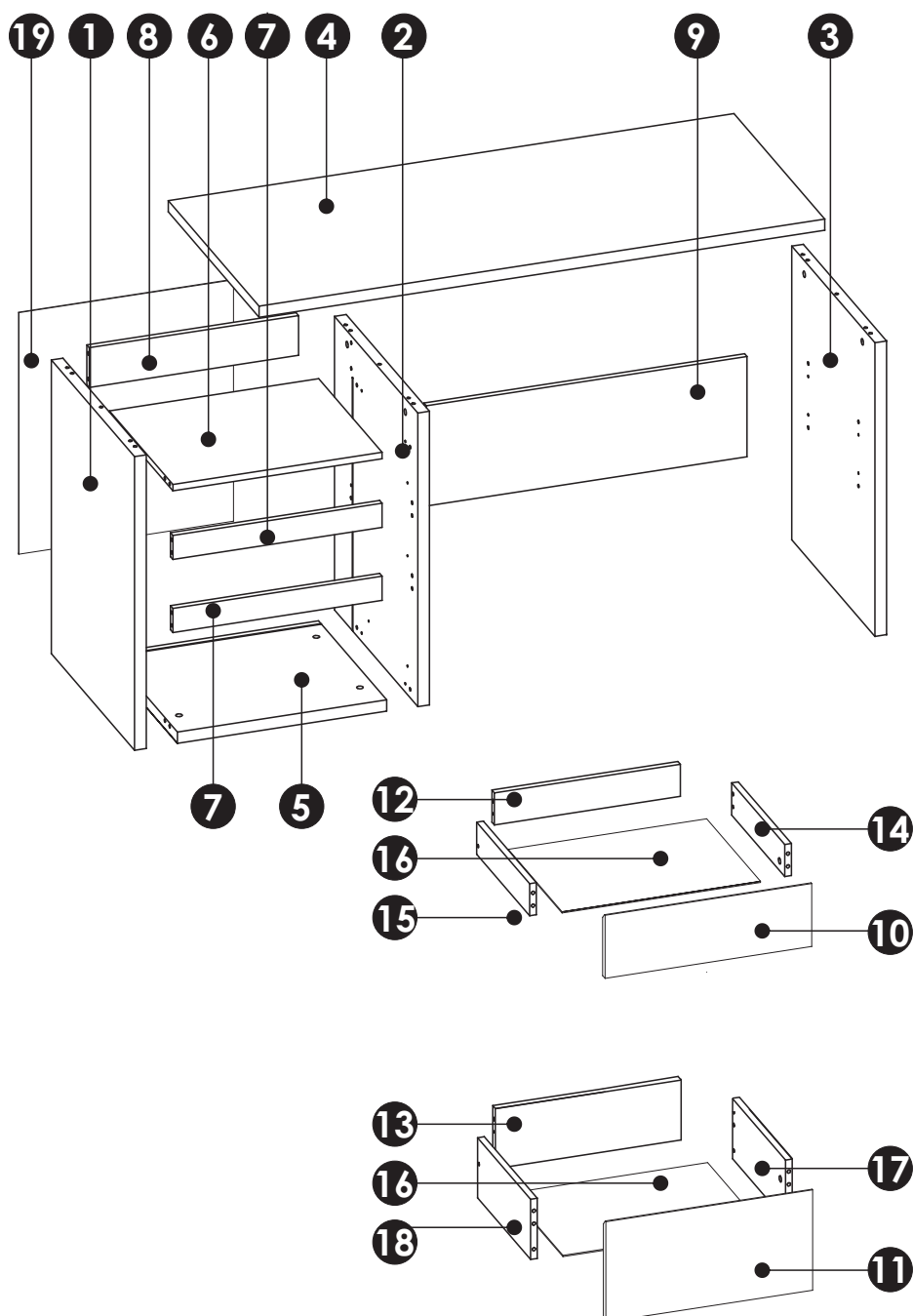
6a-11a

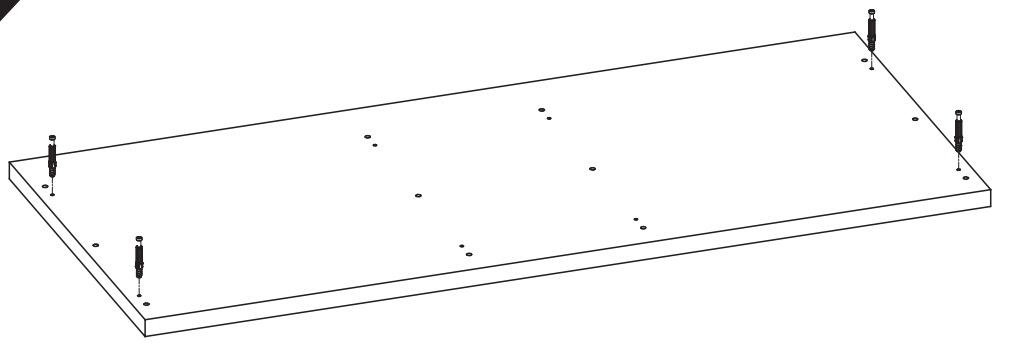
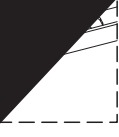
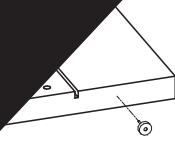
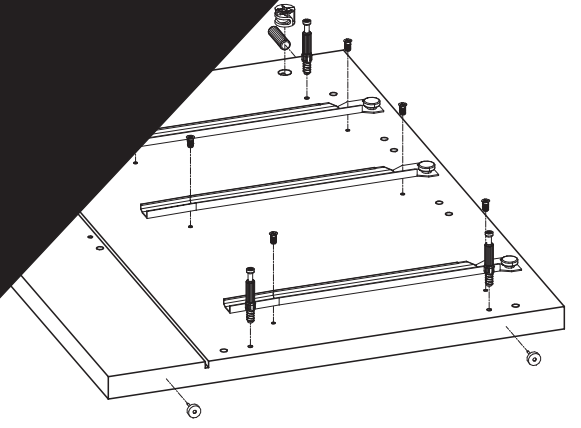


6b-11b

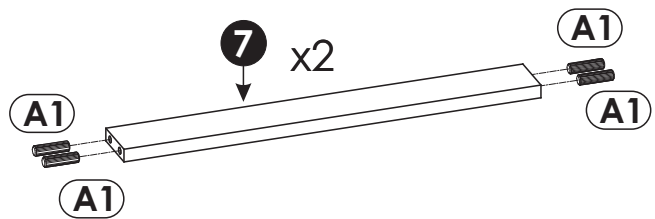
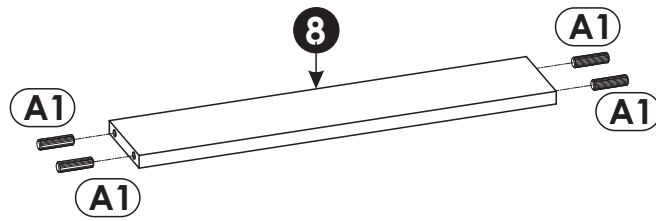
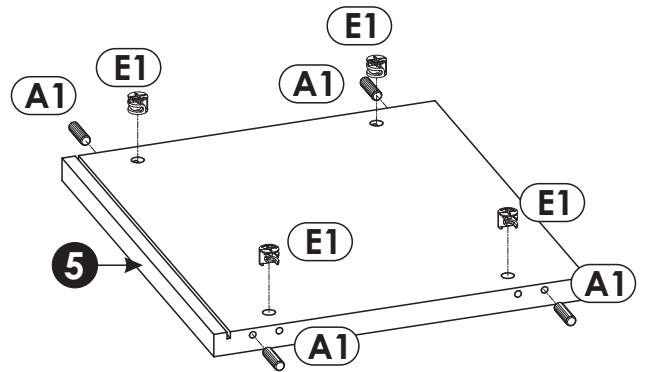
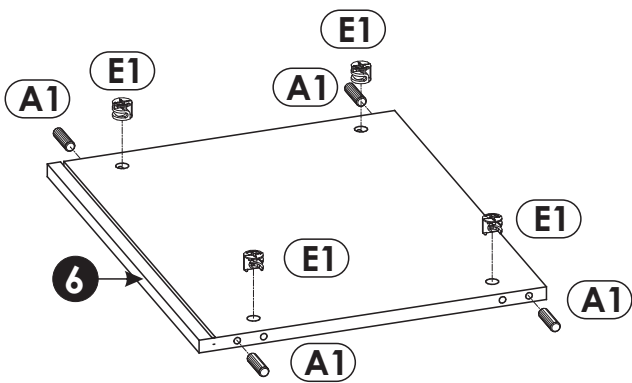
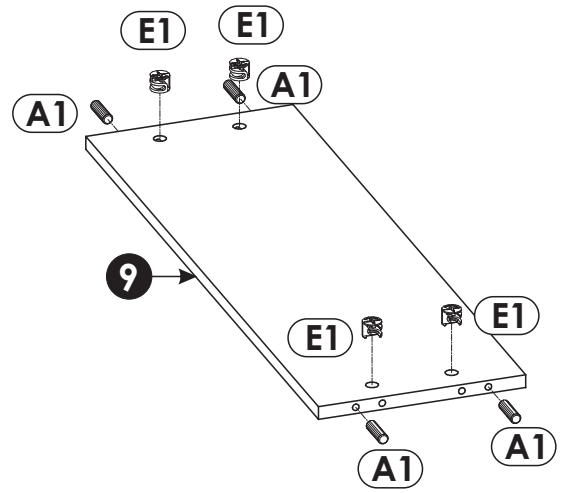
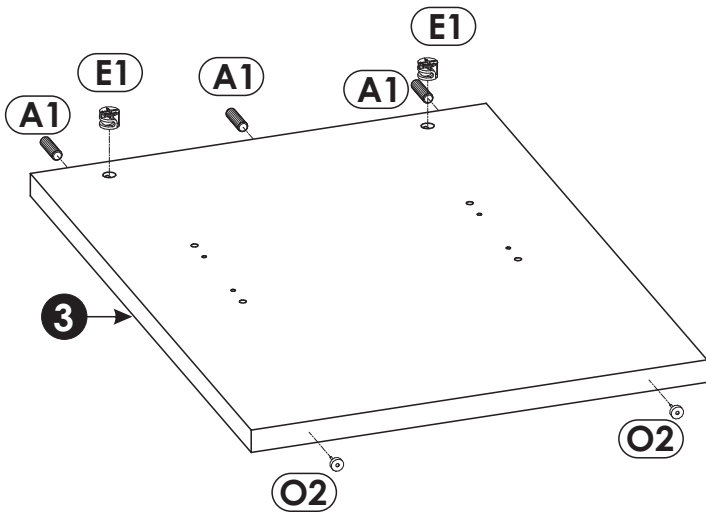


1	732	550	28	x1	1/2
2	732	550	28	x1	1/2
3	732	550	28	x1	1/2
4	1360	600	28	x1	2/2
5	503	450	28	x1	1/2
6	503	419	16	x1	1/2
7	503	60	16	x2	1/2
8	503	99	16	x1	2/2
9	771	250	16	x1	2/2
10	497	157	16	x2	1/2
11	497	250	16	x1	1/2
12	447	80	16	x2	2/2
13	447	150	16	x1	2/2
14	350	80	16	x2	2/2
15	350	80	16	x2	2/2
16	477	355	3	x3	2/2
17	350	150	16	x1	2/2
18	350	150	16	x1	2/2
19	602	513	3	x1	1/2

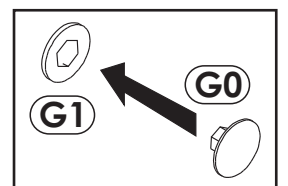
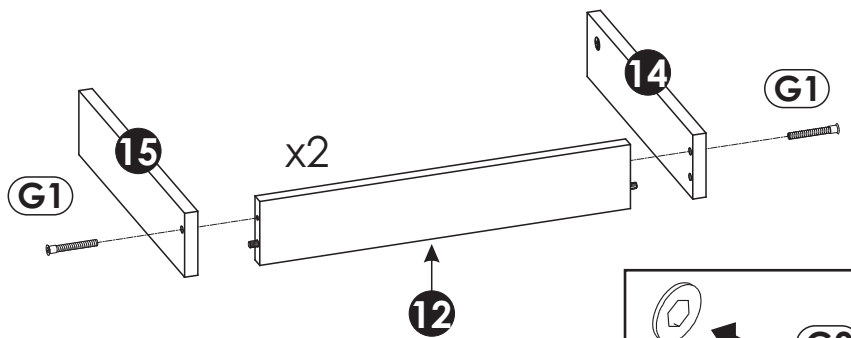
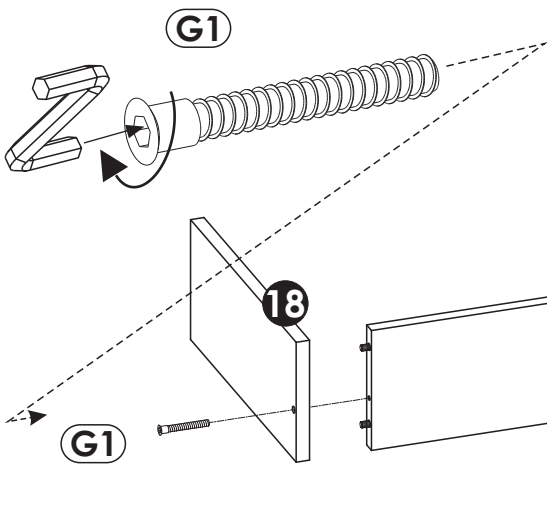
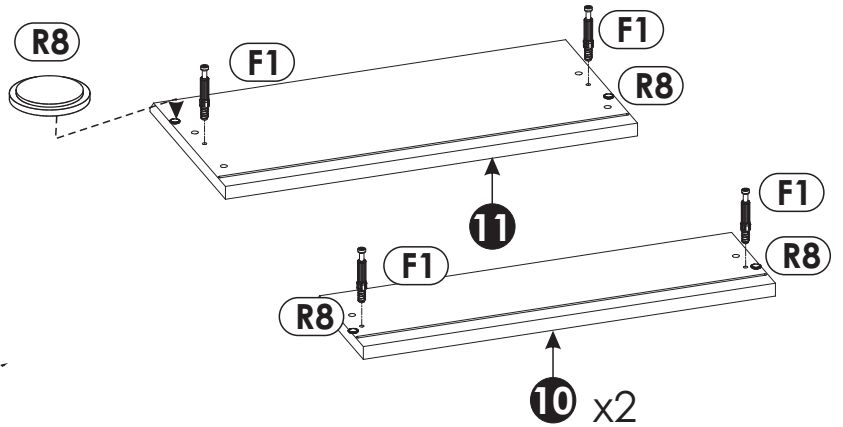
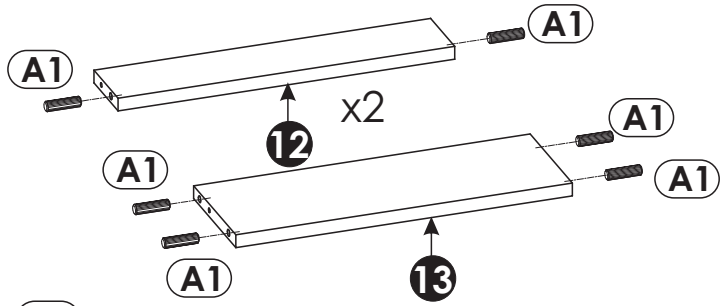
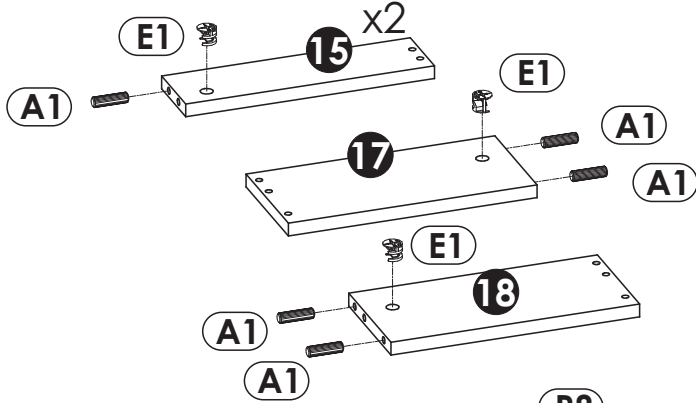
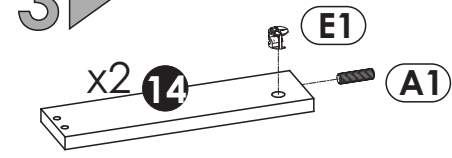




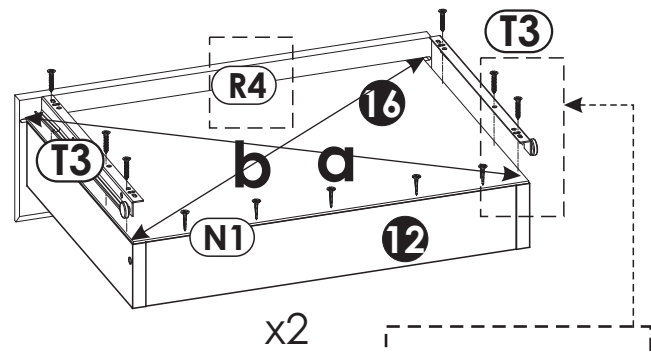
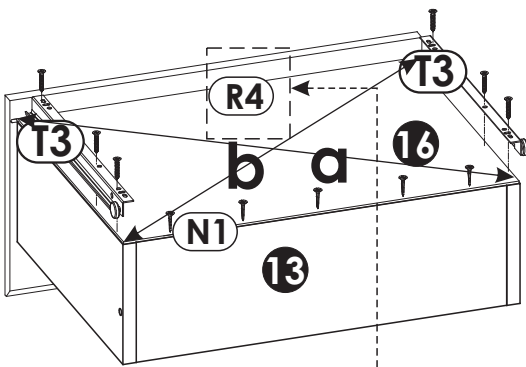
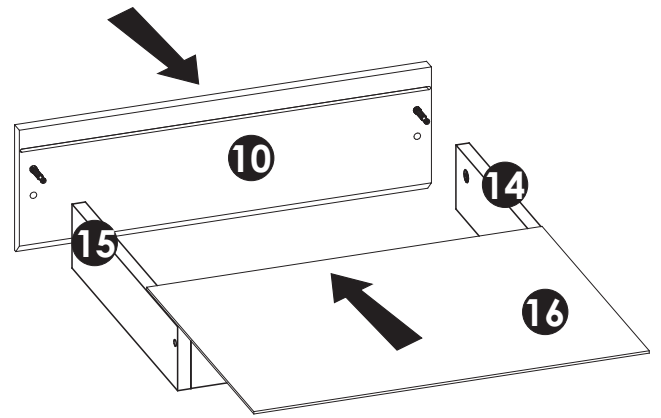
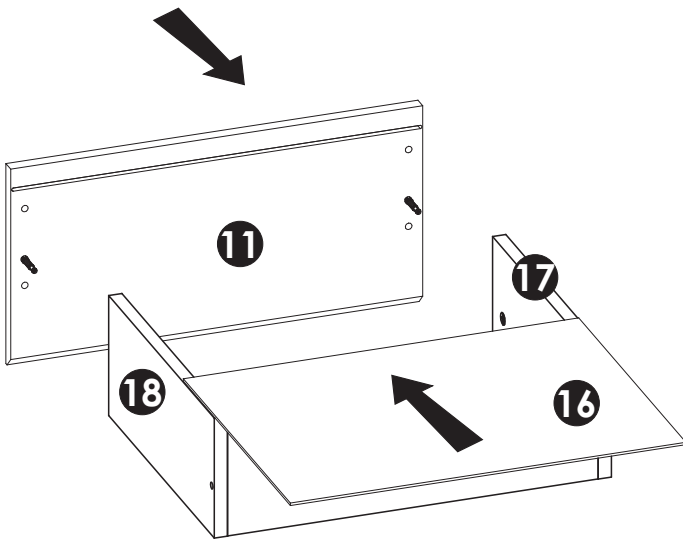
2 ▶



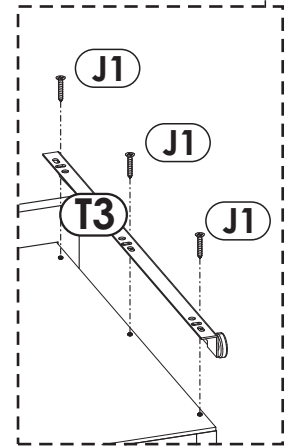
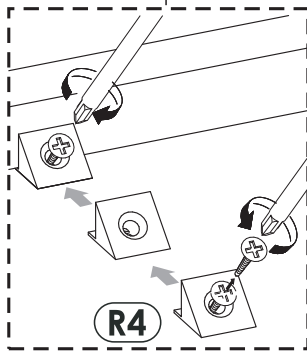
3 ▶



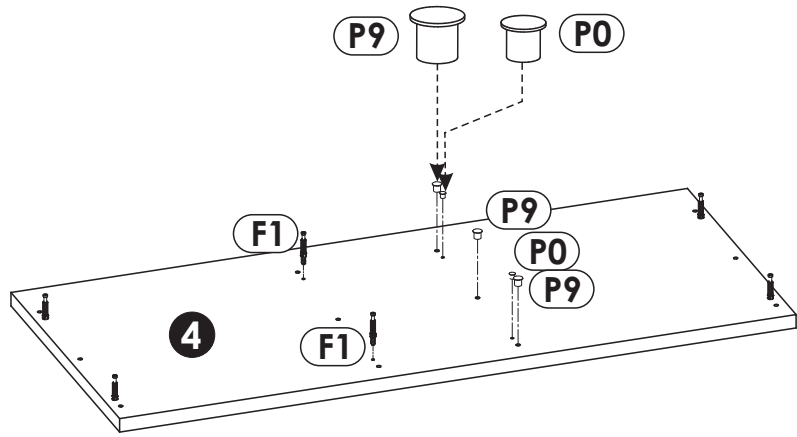
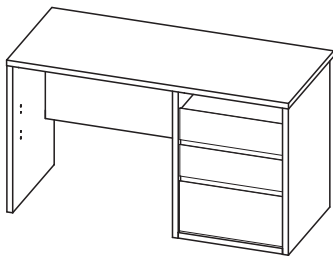
5 ▶



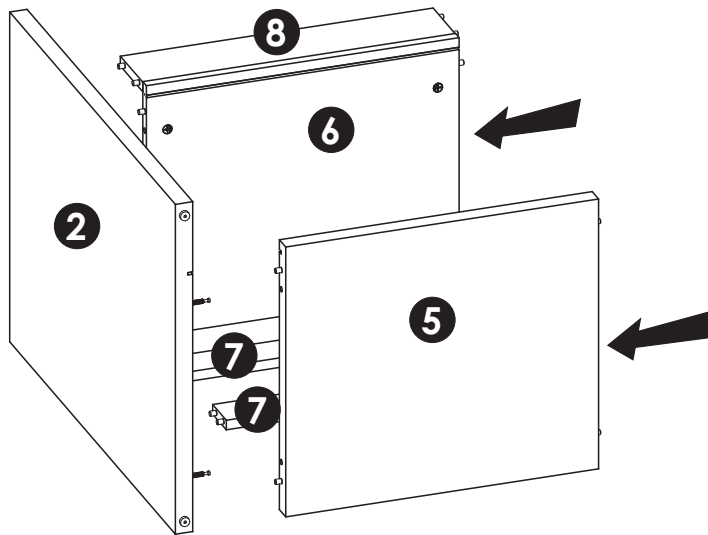
$a=b$



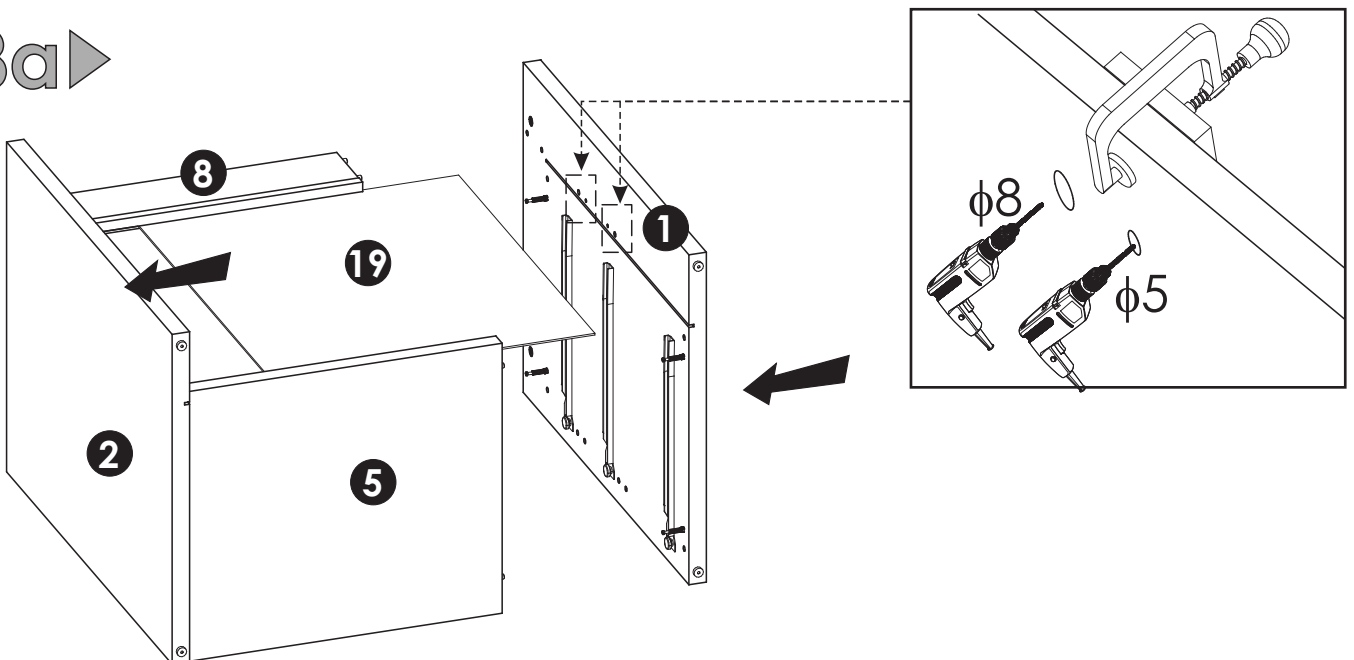
6a ▶



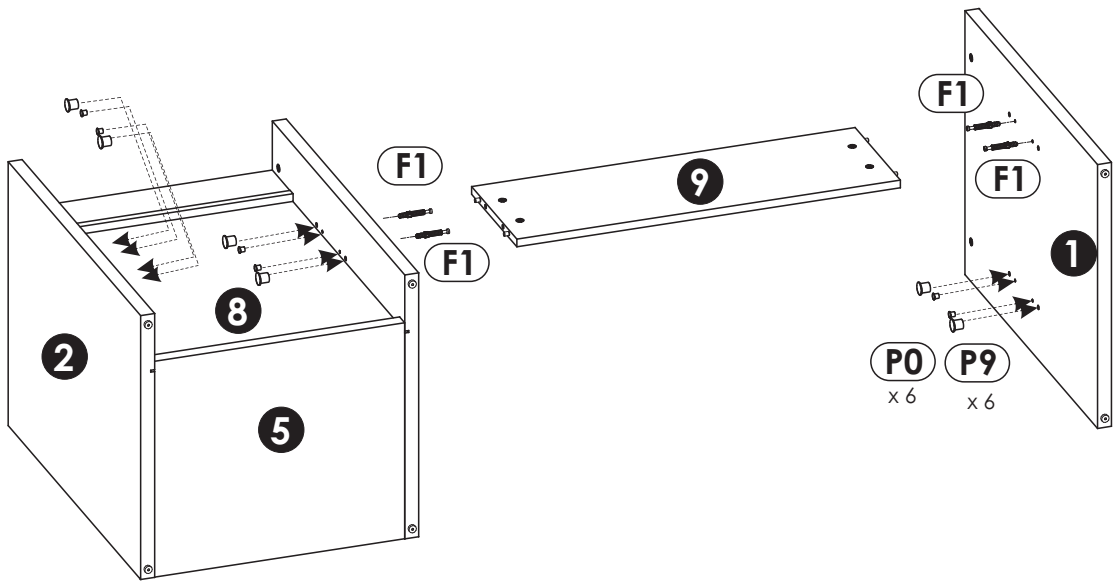
7a ▶



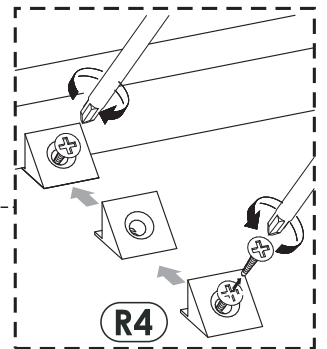
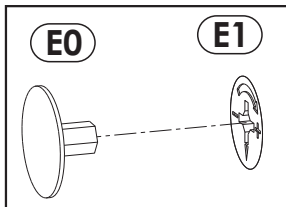
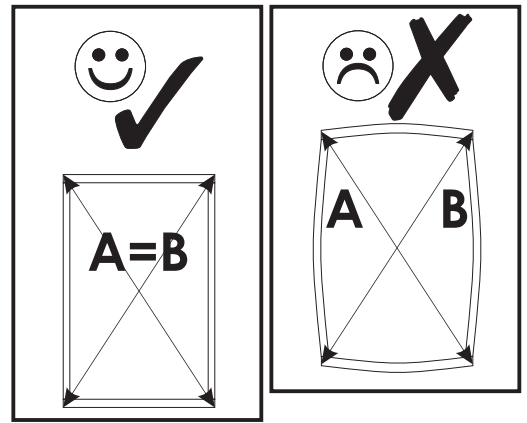
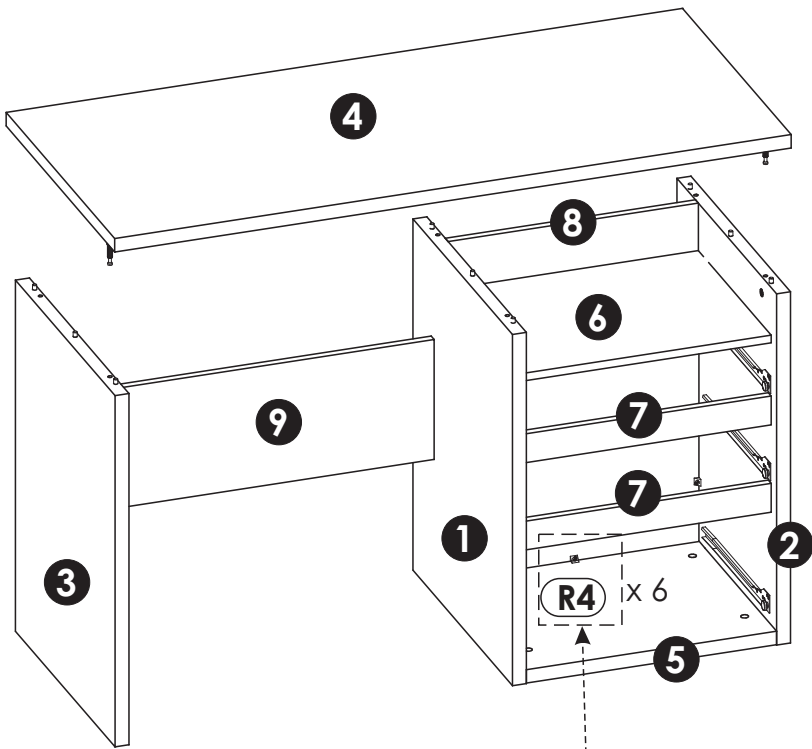
8a ▶



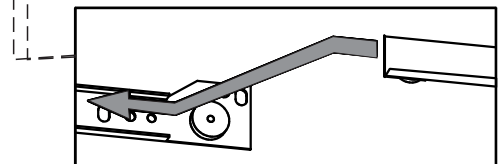
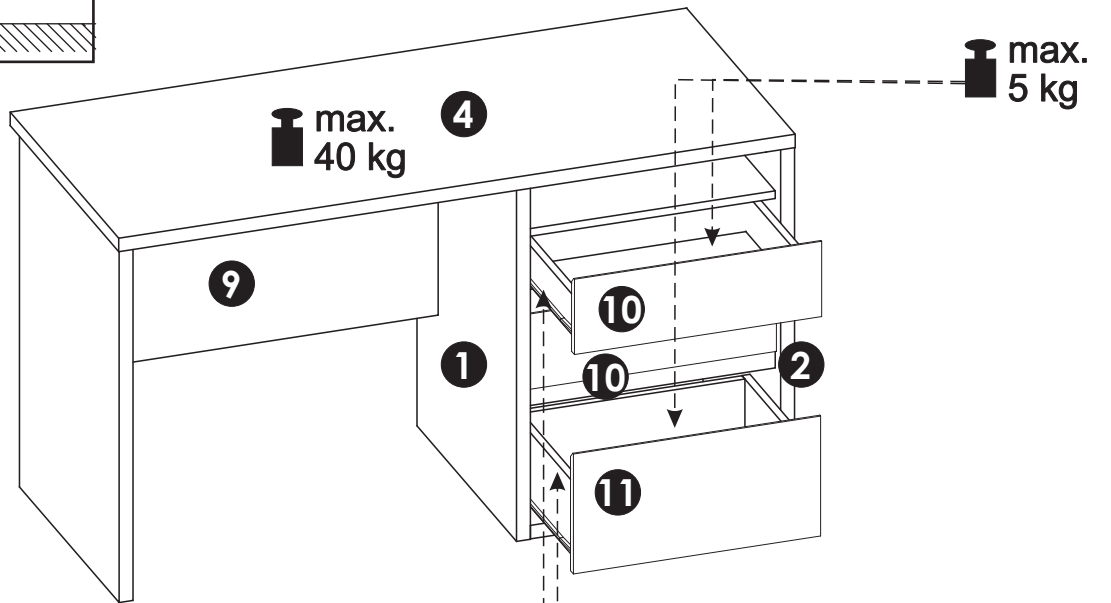
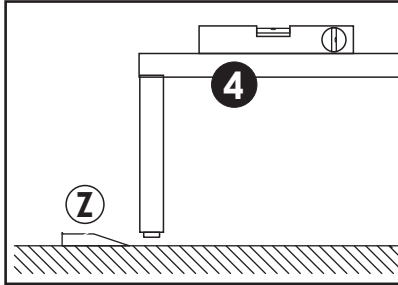
9a ▶



10a ▶



11a ▶

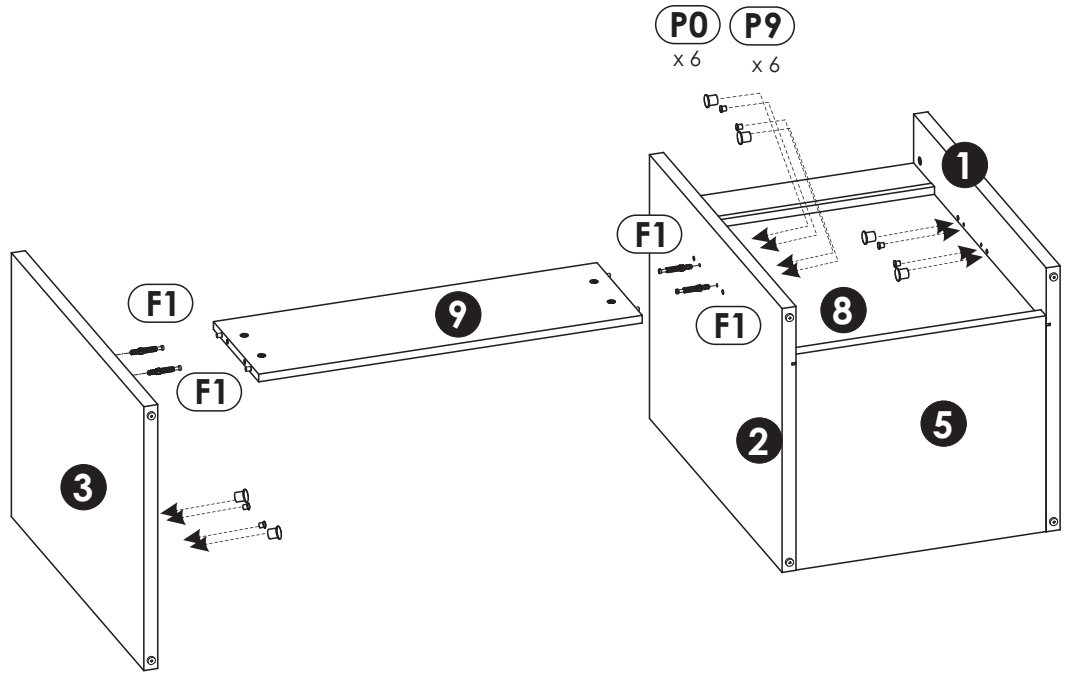




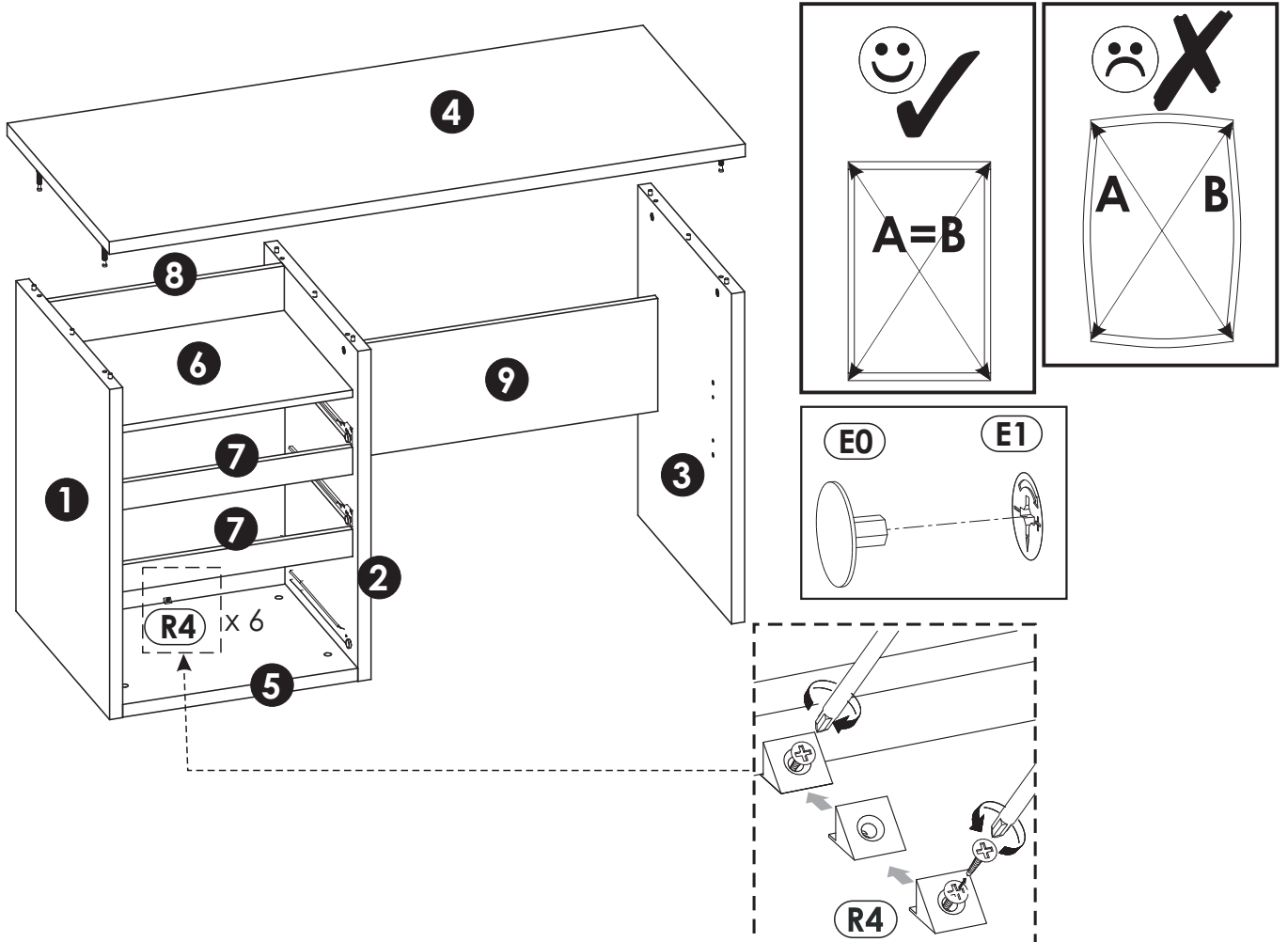
5

8

9b ▶



10b ▶



11b ▶

