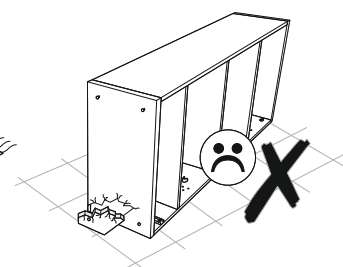
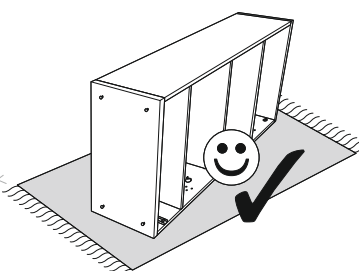
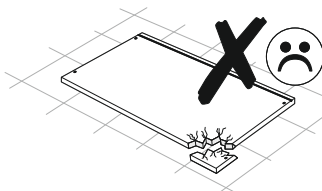
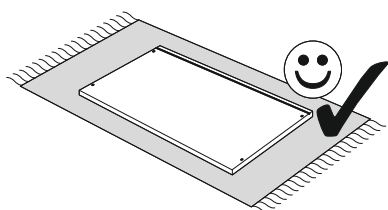
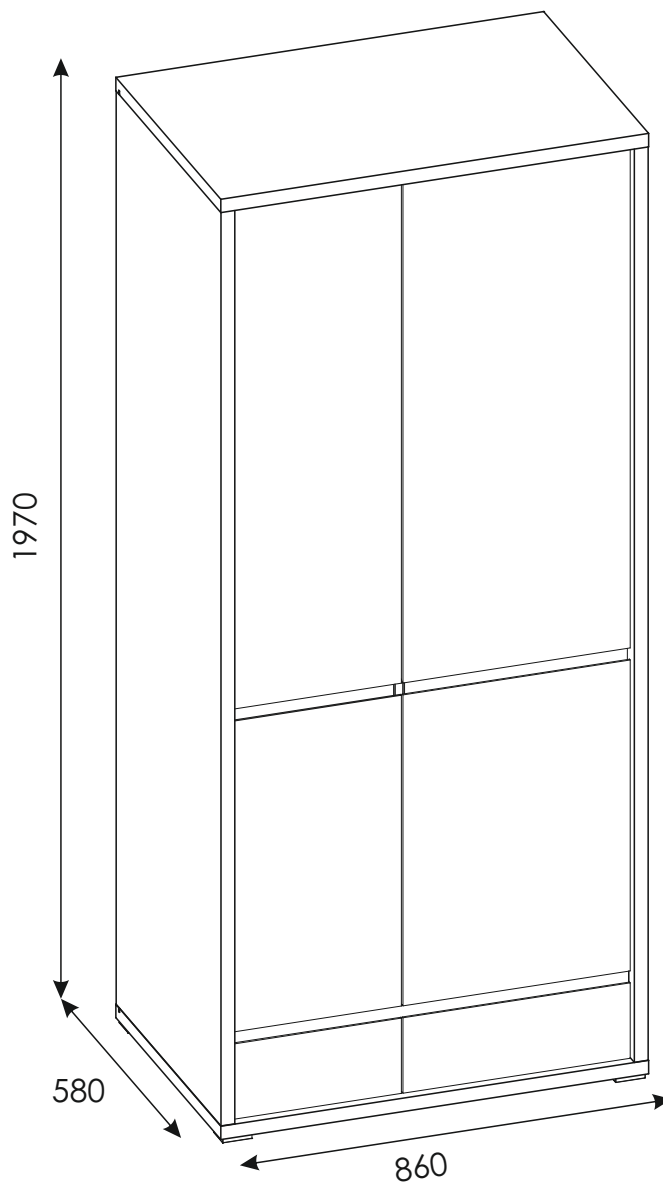
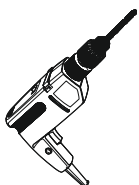
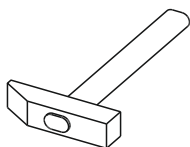
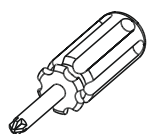
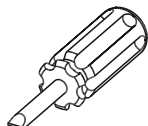
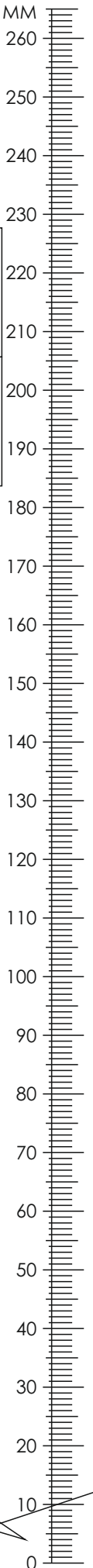


SHETLAND - 20

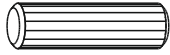


a.
ran
diti

SHETLAND -20



A1 x40 ϕ 8 x 35mm



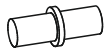
C1 x12 EURO 4 x 13mm



C2 x8 EURO 5 x 13mm



D2 x20



E0 22



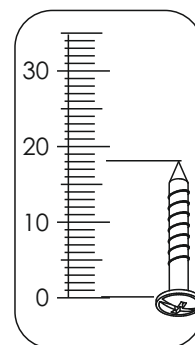
E1 22 ϕ 15 x 12mm



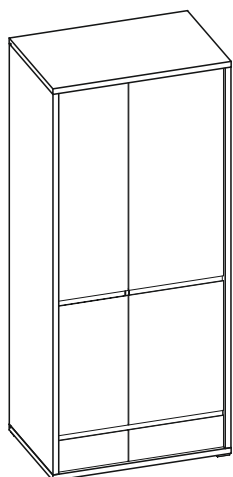
F1 x18



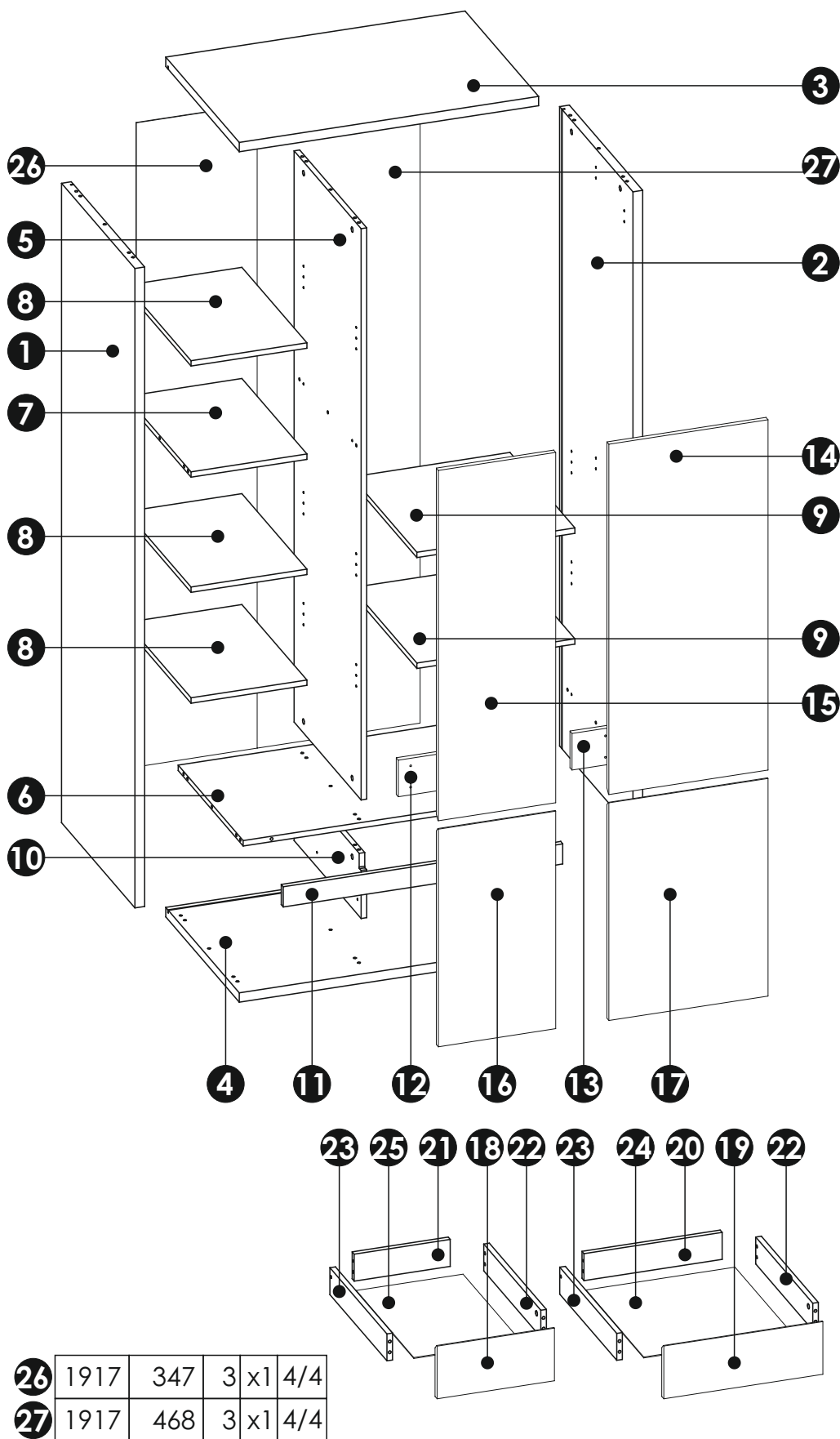
G1 x4 ϕ 7 x 50mm

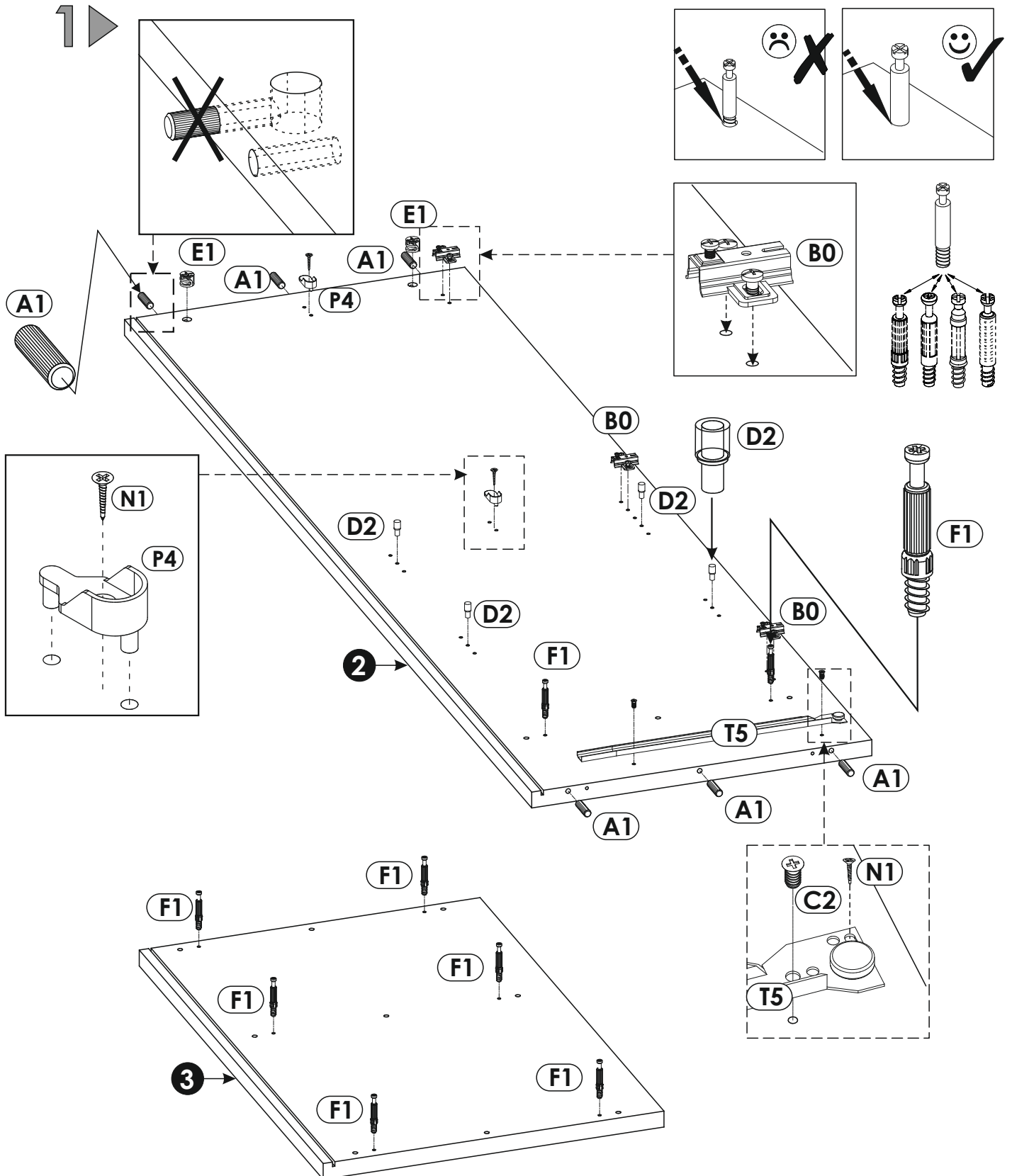
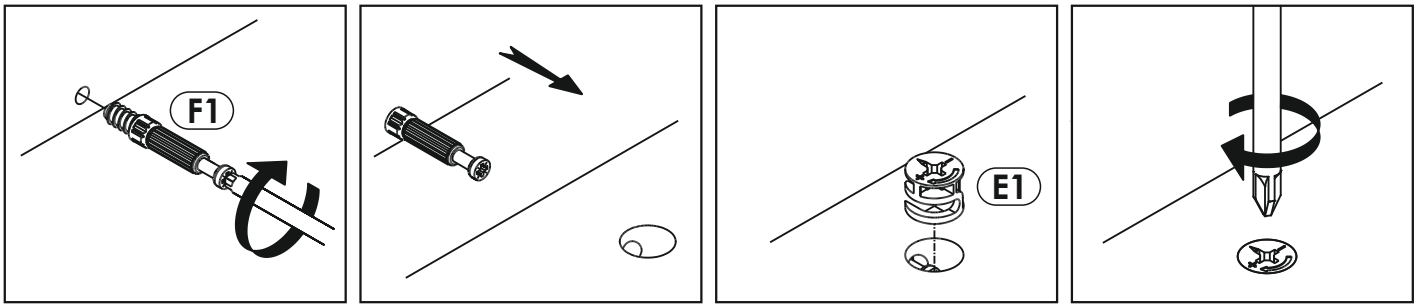


SHETLAND - 20

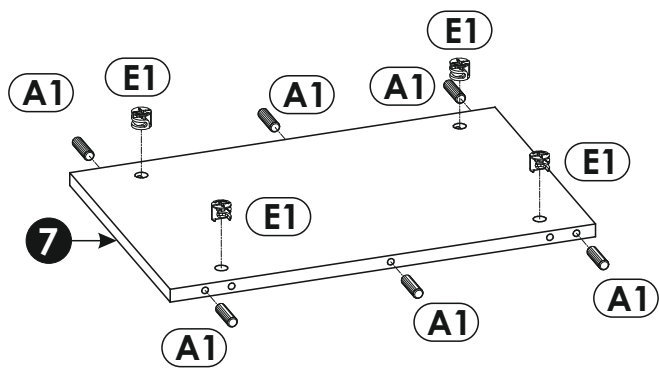
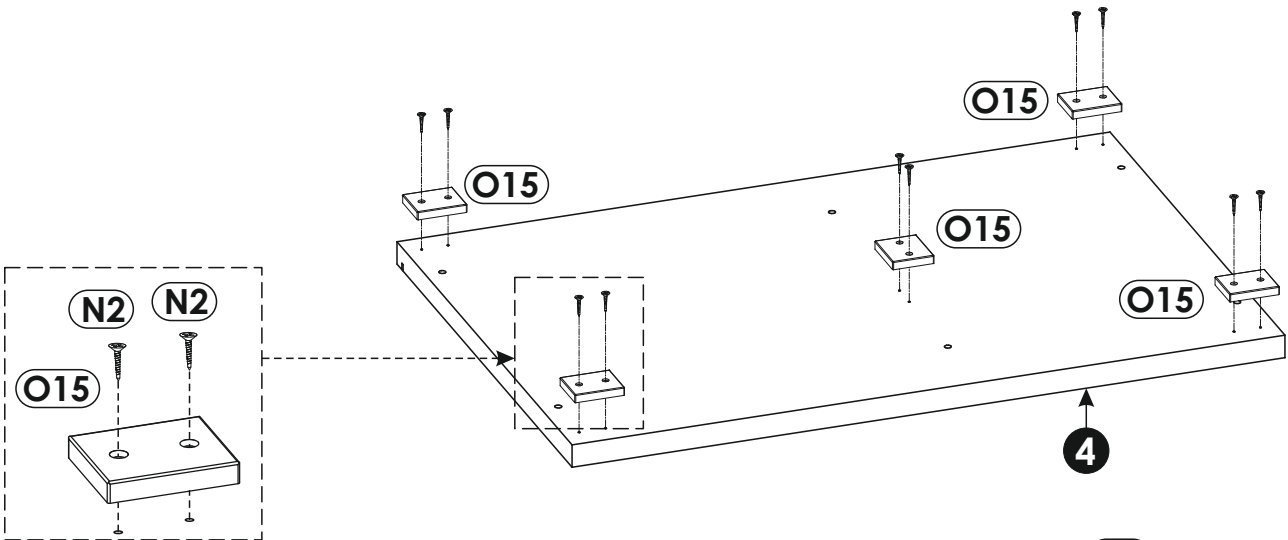
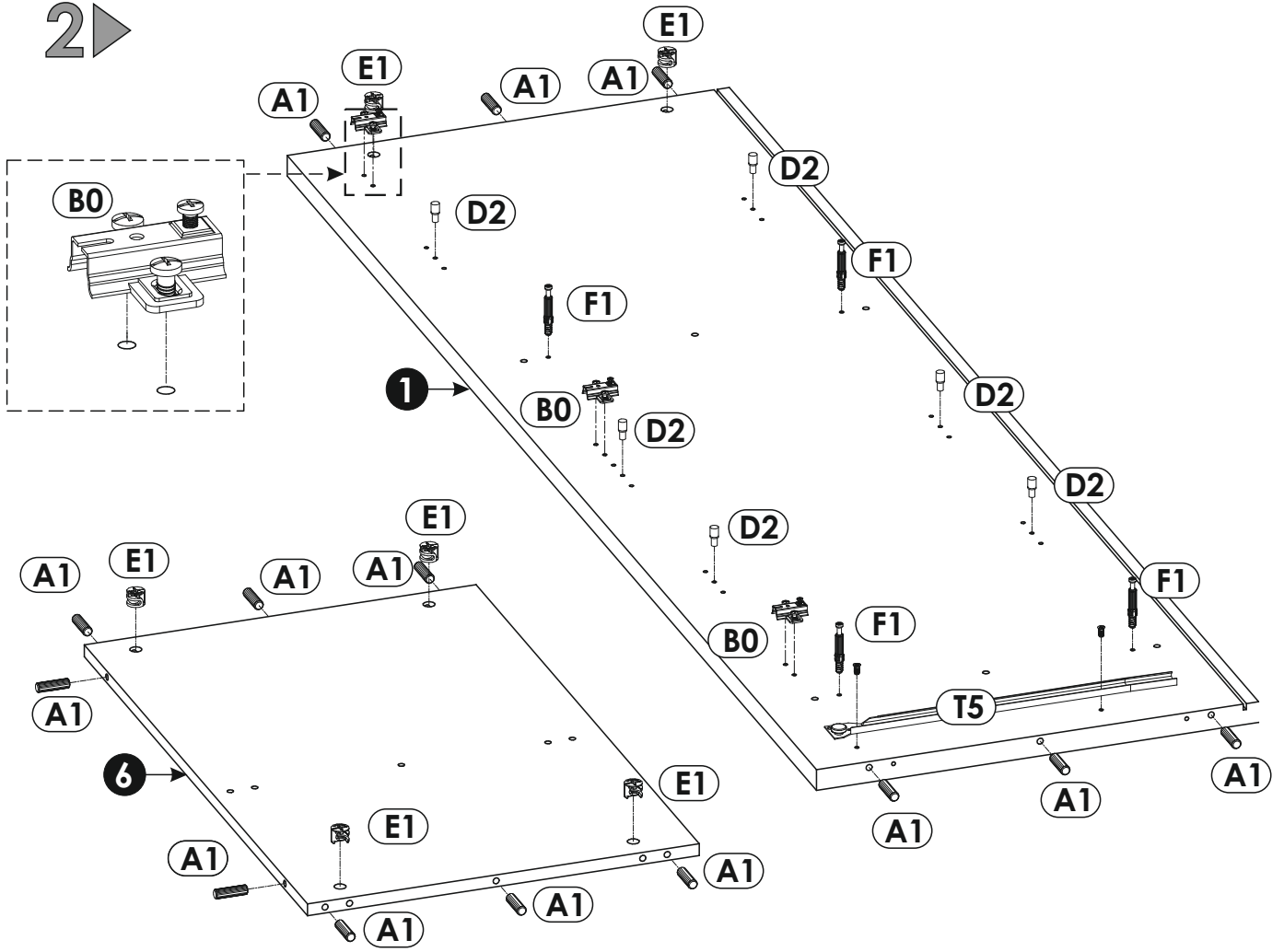


1	1904	579	28 x1	4/4
2	1904	579	28 x1	3/4
3	860	580	28 x1	2/4
4	860	580	28 x1	2/4
5	1701	529	16 x1	3/4
6	803	513	16 x1	2/4
7	333	513	16 x1	1/4
8	333	513	16 x3	1/4
9	454	513	16 x2	2/4
10	187	529	16 x1	3/4
11	803	60	16 x1	1/4
12	327	109	16 x1	1/4
13	448	109	16 x1	1/4
14	457	1043	16 x1	1/4
15	337	1043	16 x1	1/4
16	337	648	16 x1	1/4
17	457	648	16 x1	1/4
18	337	157	16 x1	1/4
19	457	157	16 x1	1/4
20	397	80	16 x1	1/4
21	276	80	16 x1	1/4
22	450	80	16 x2	1/4
23	450	80	16 x2	1/4
24	428	455	3 x1	1/4
25	307	455	3 x1	1/4

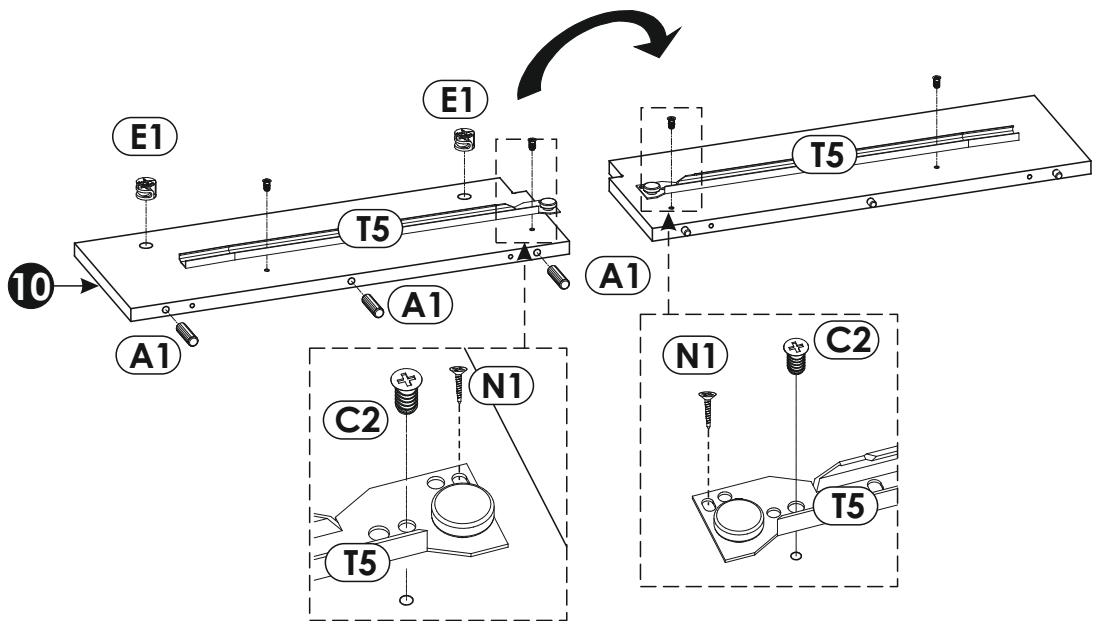
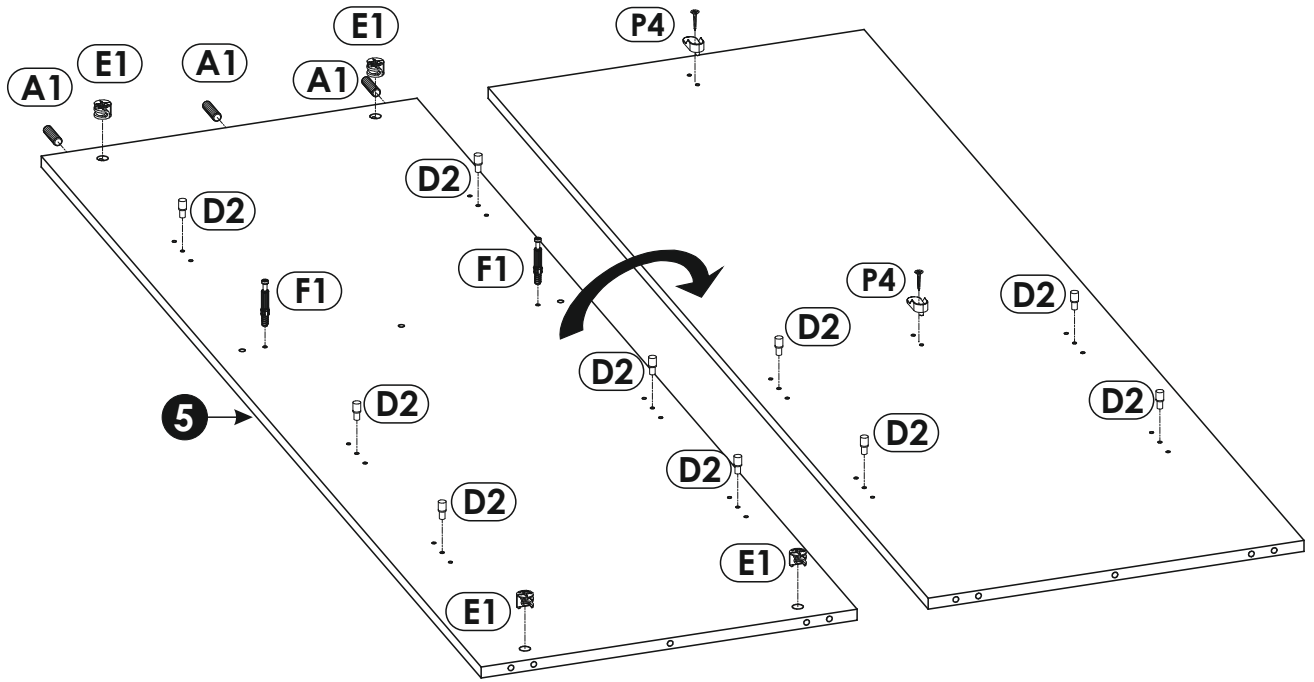




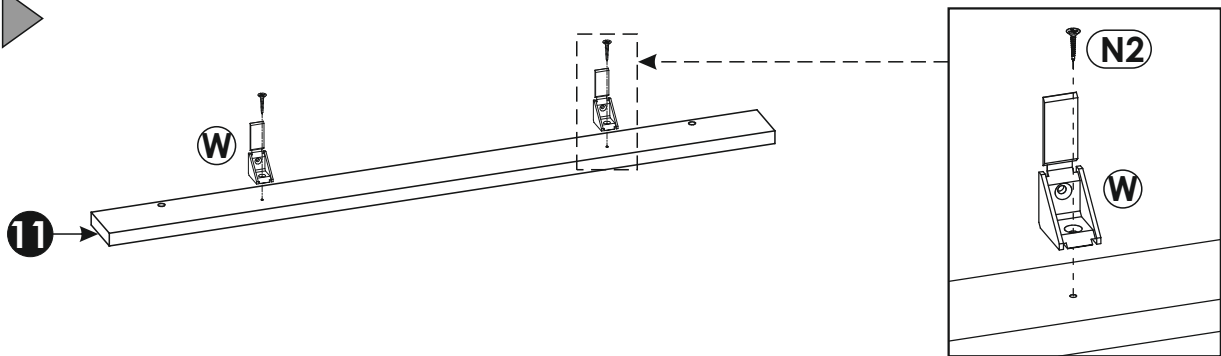
2



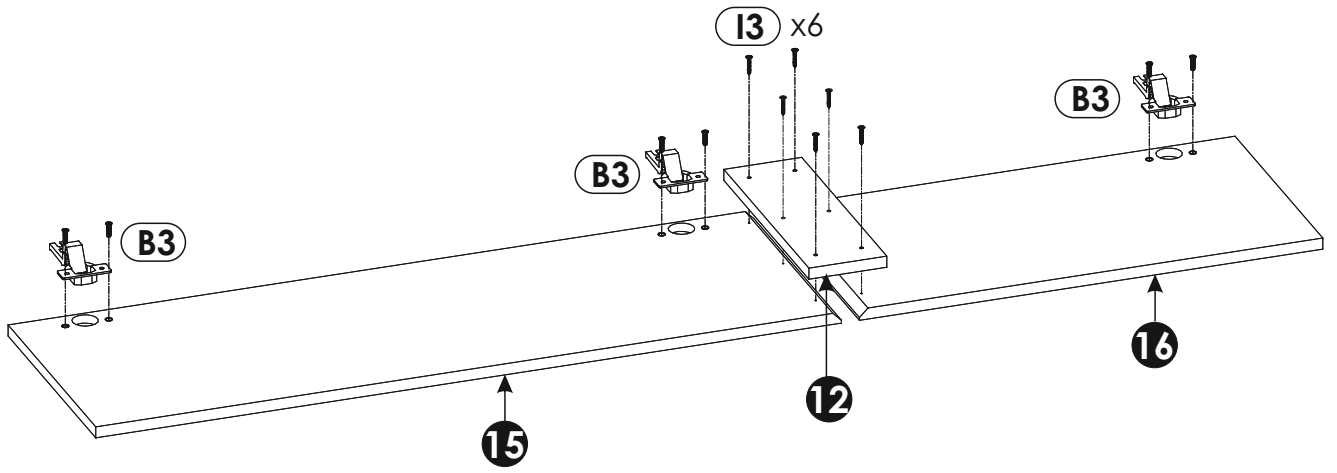
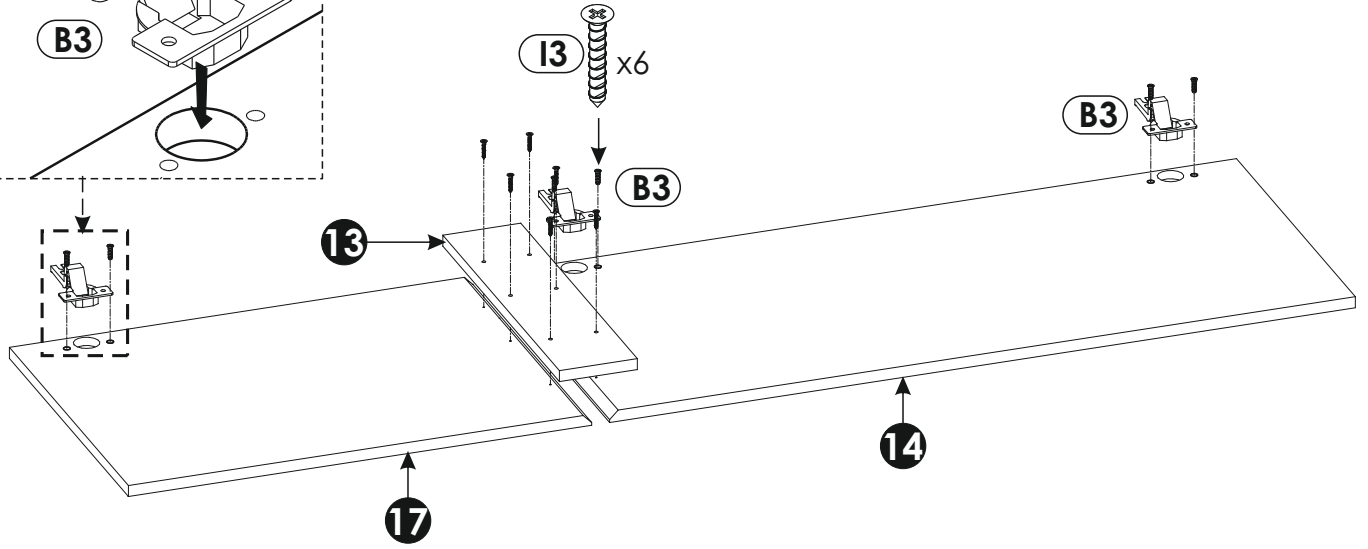
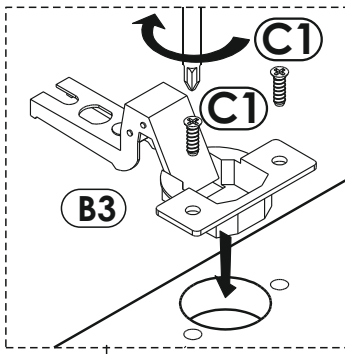
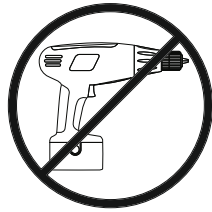
3 ▶



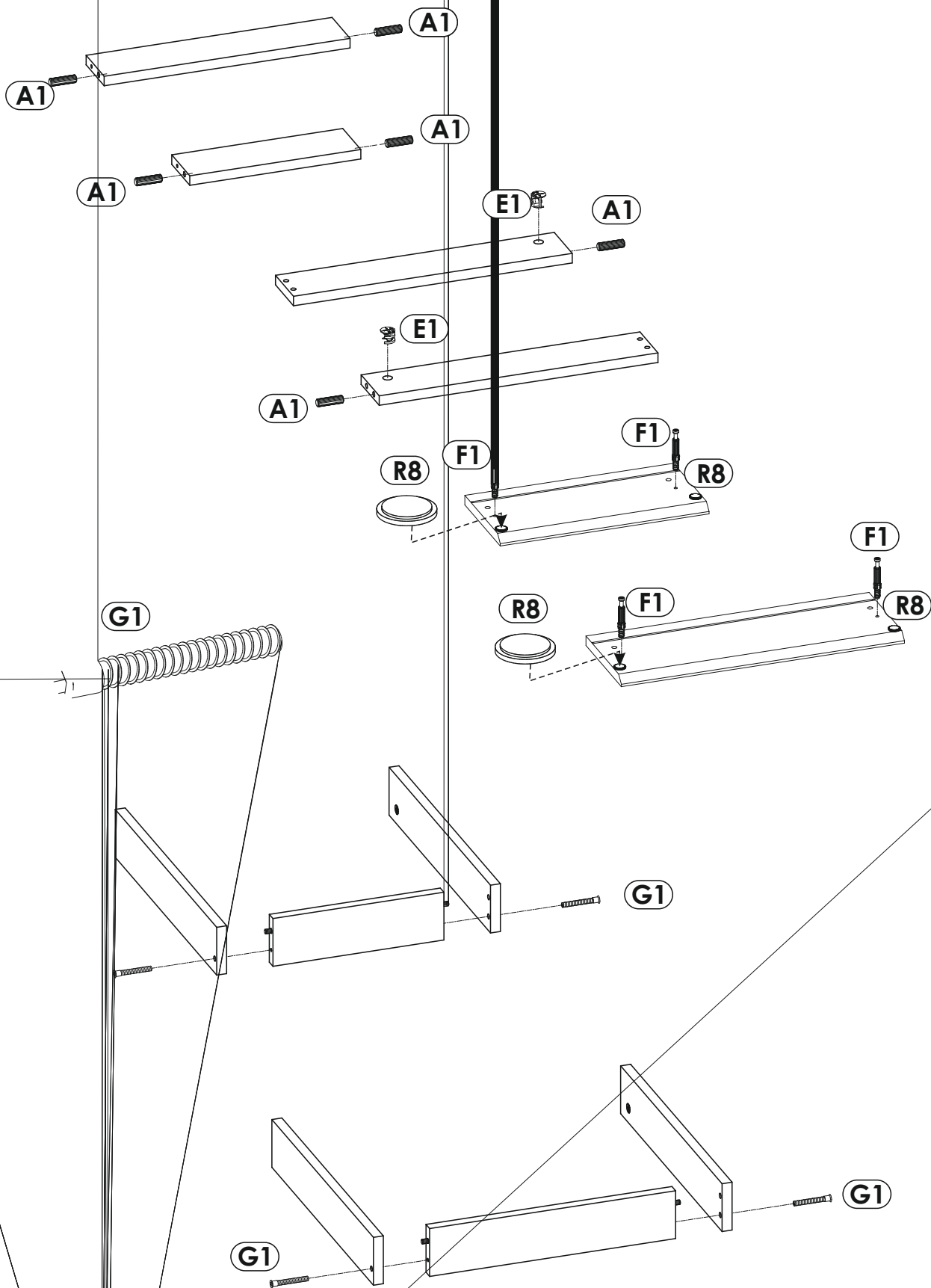
4 ▶



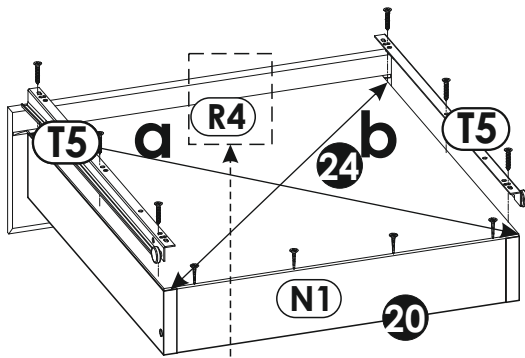
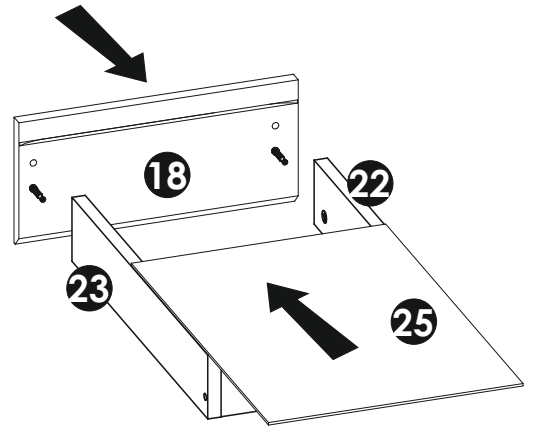
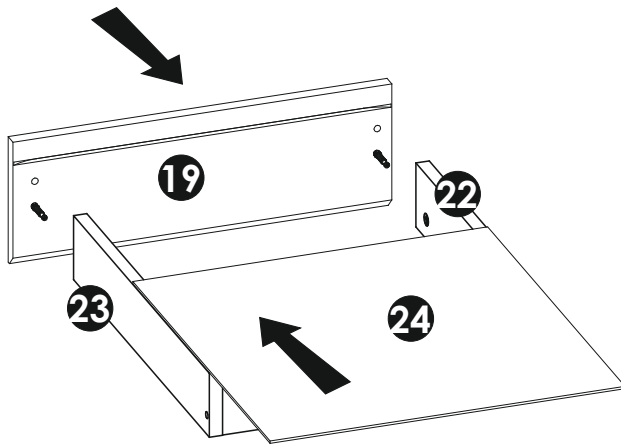
5 ▶



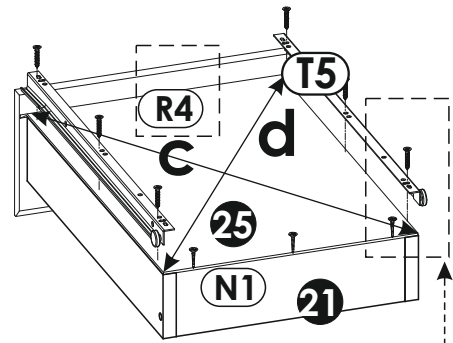
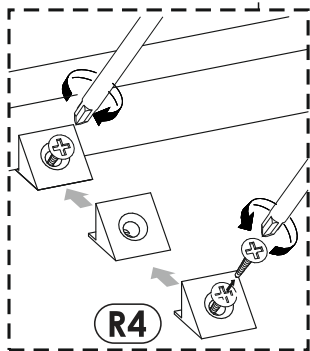
6 ▶



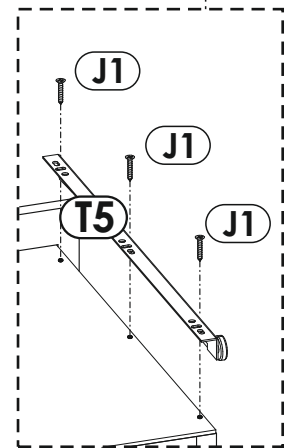
7 ▶



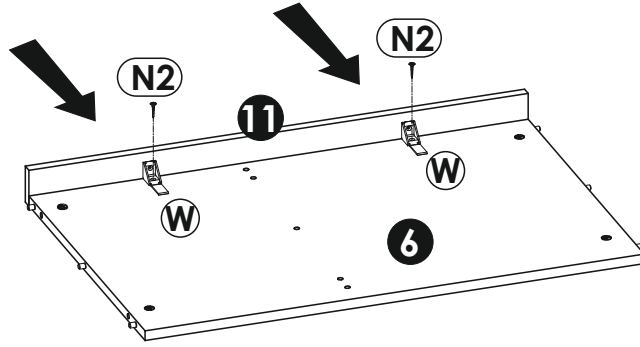
$a=b$



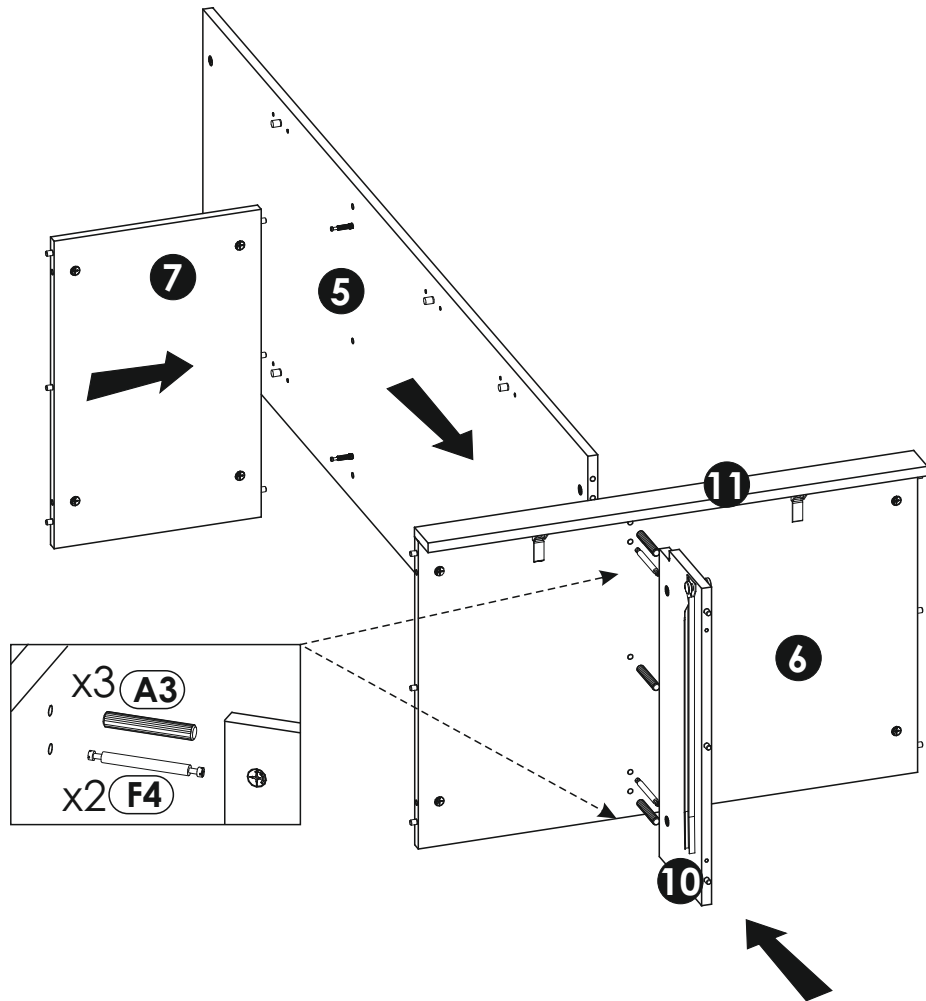
$c=d$



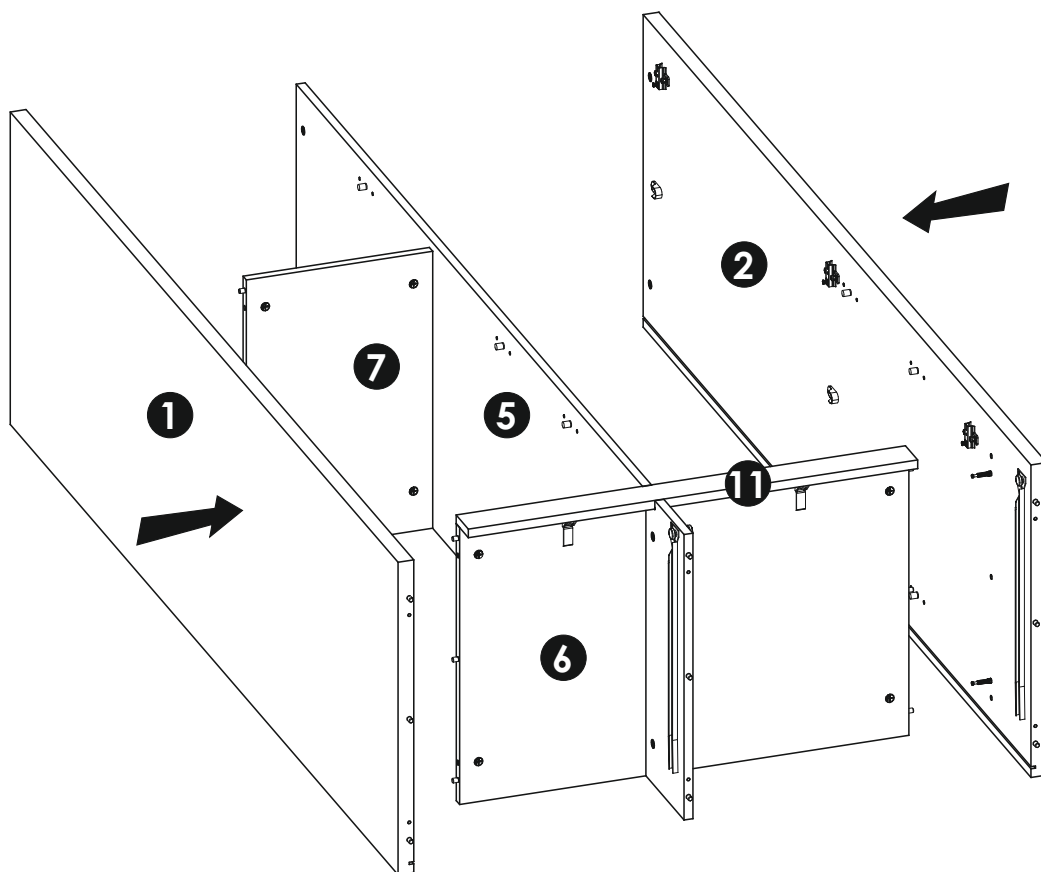
8 ▶



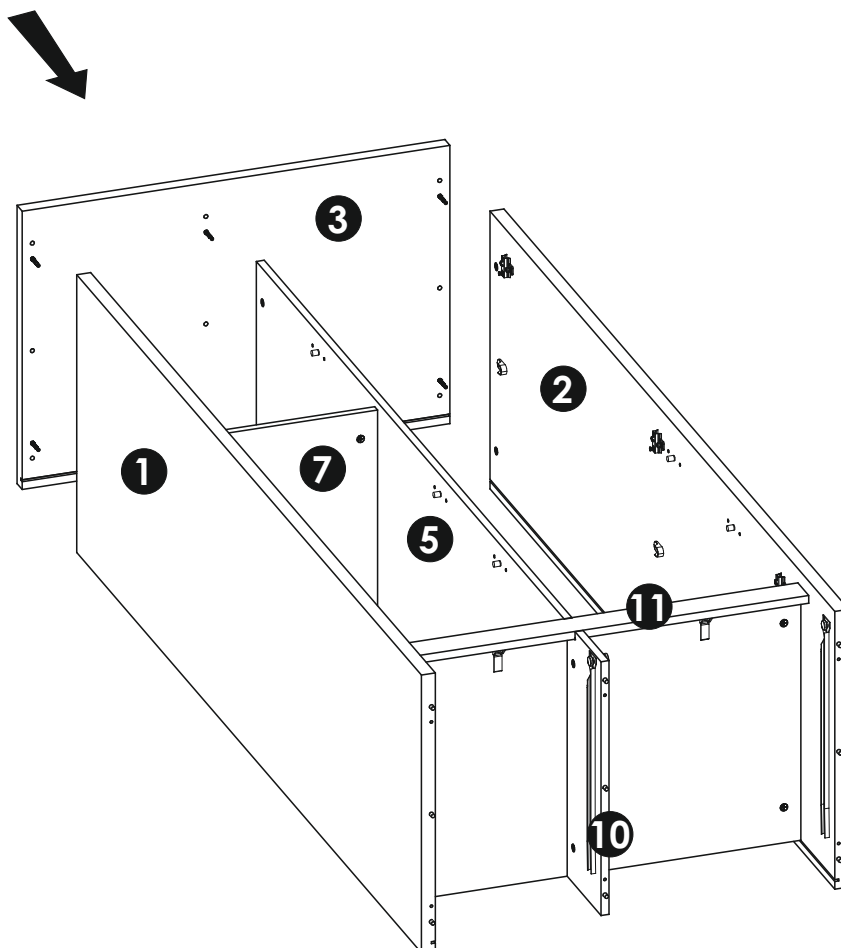
9 ▶



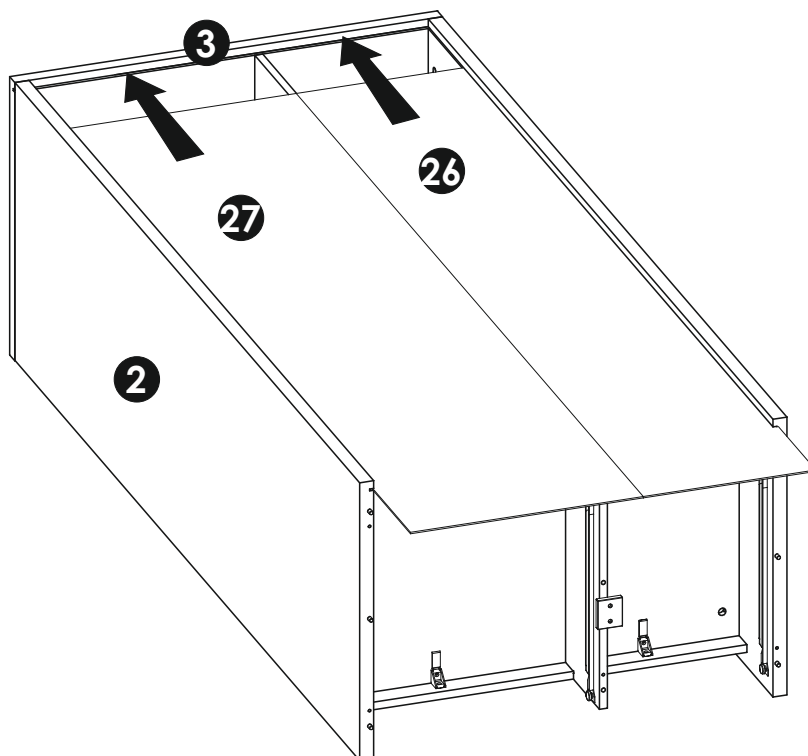
10 ▶



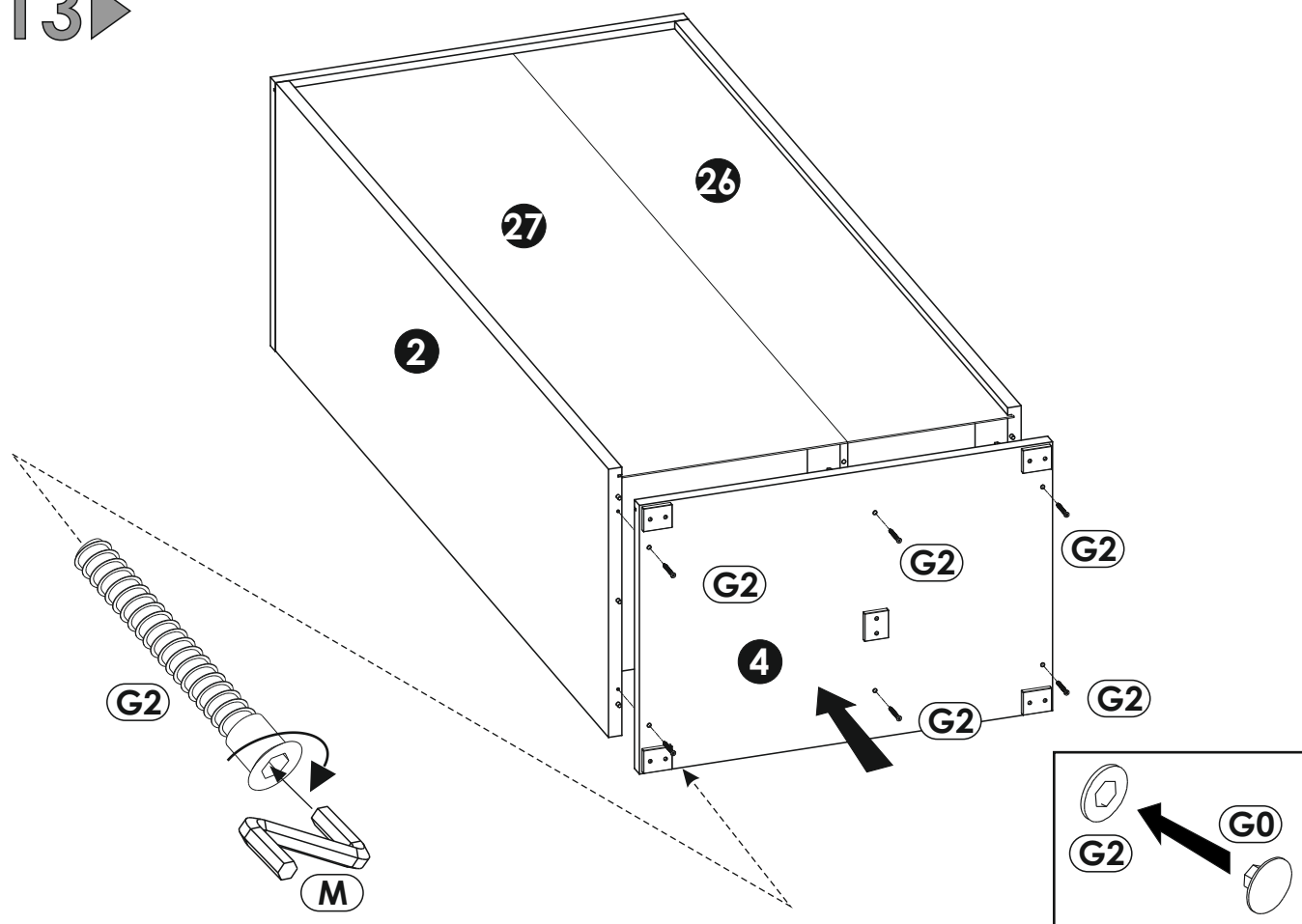
11 ▶



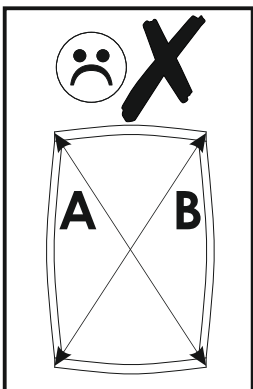
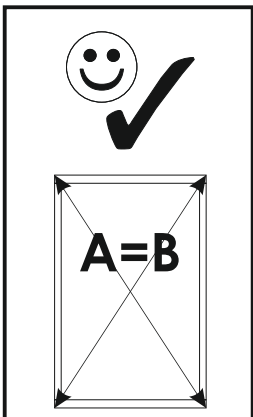
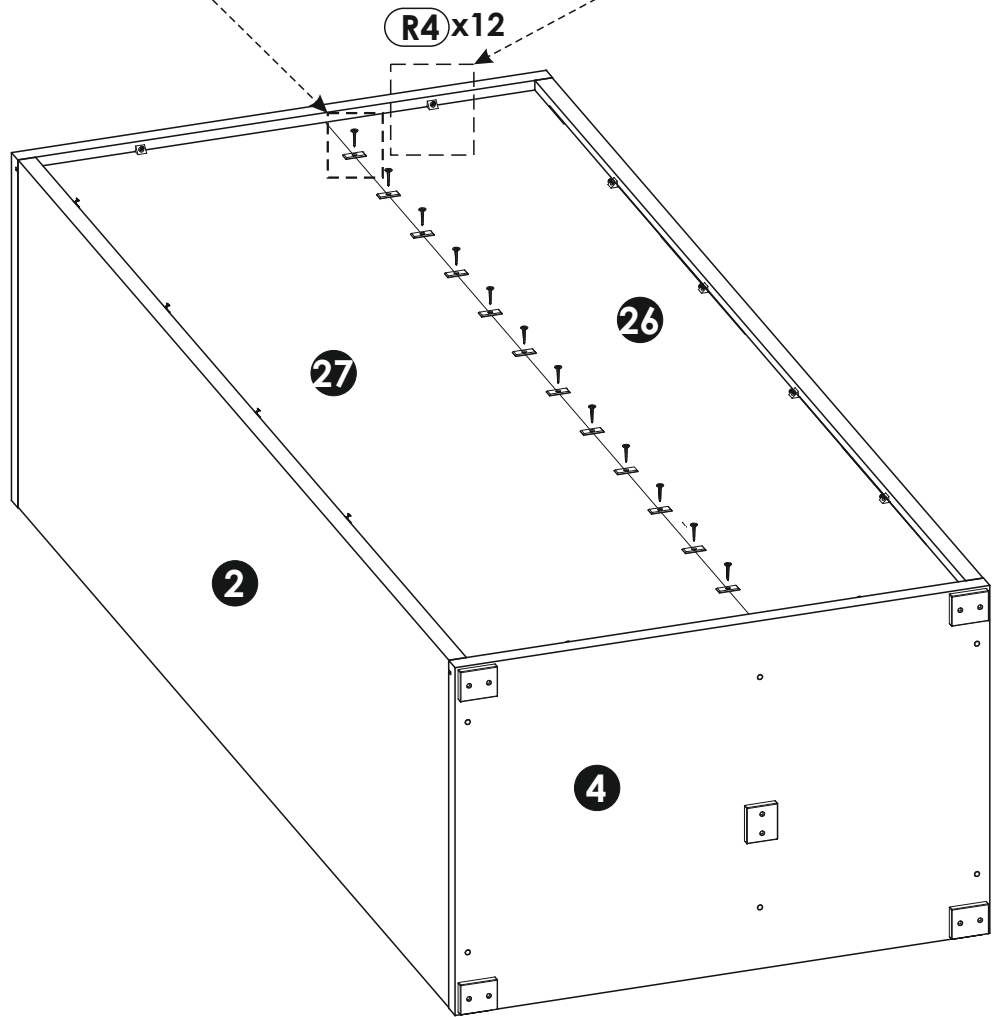
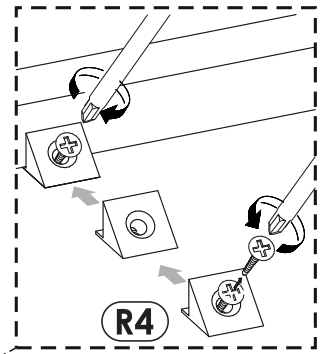
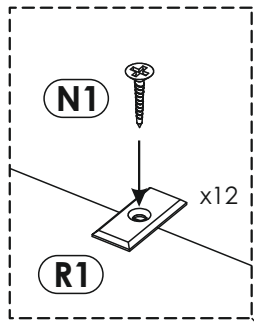
12▶



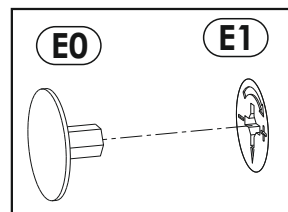
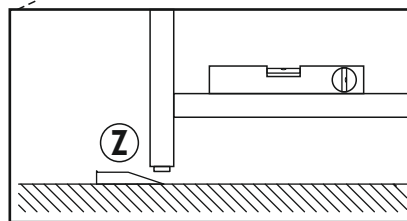
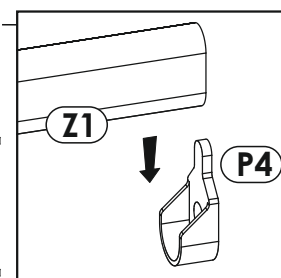
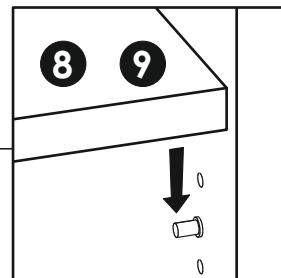
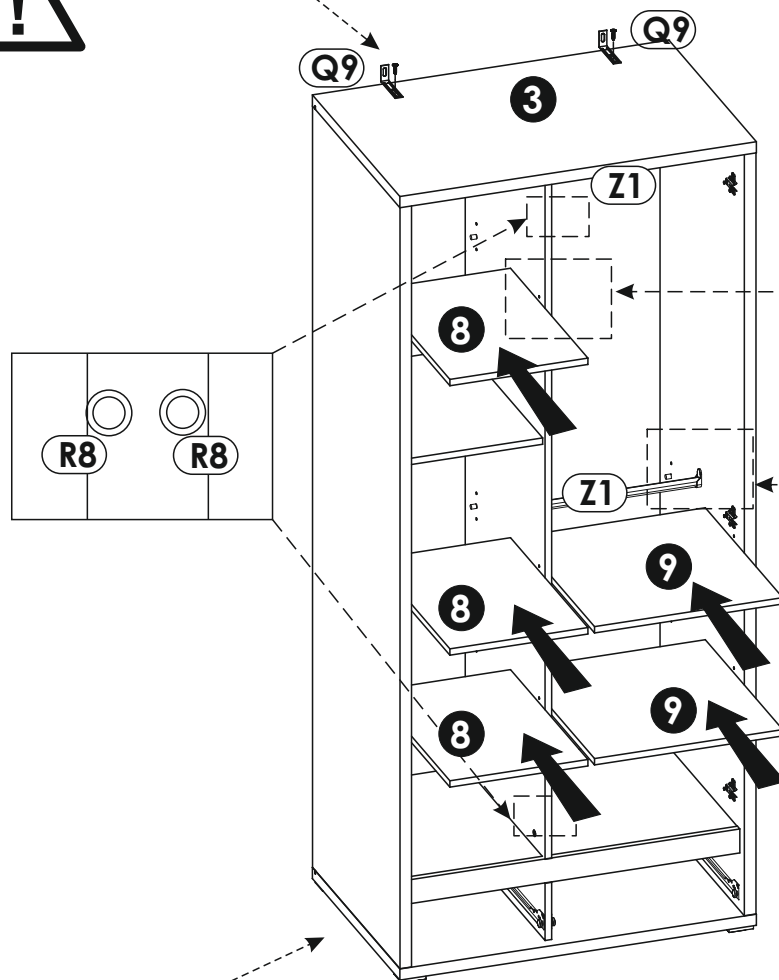
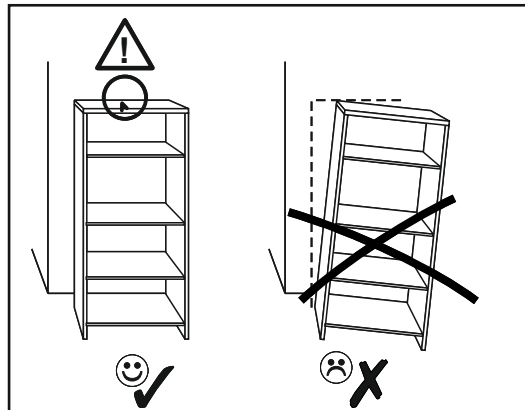
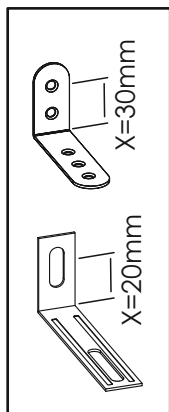
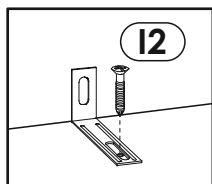
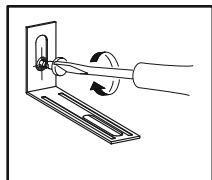
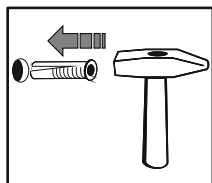
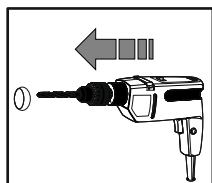
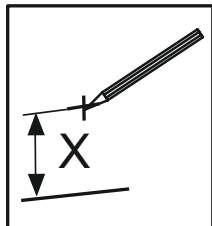
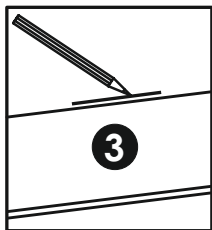
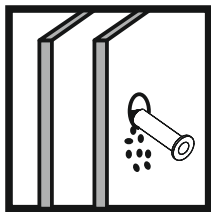
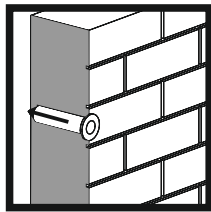
13▶



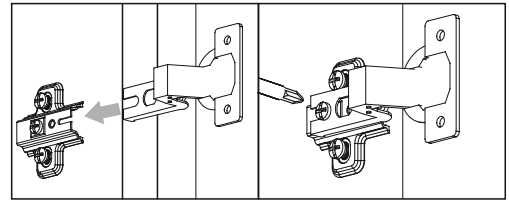
14▶



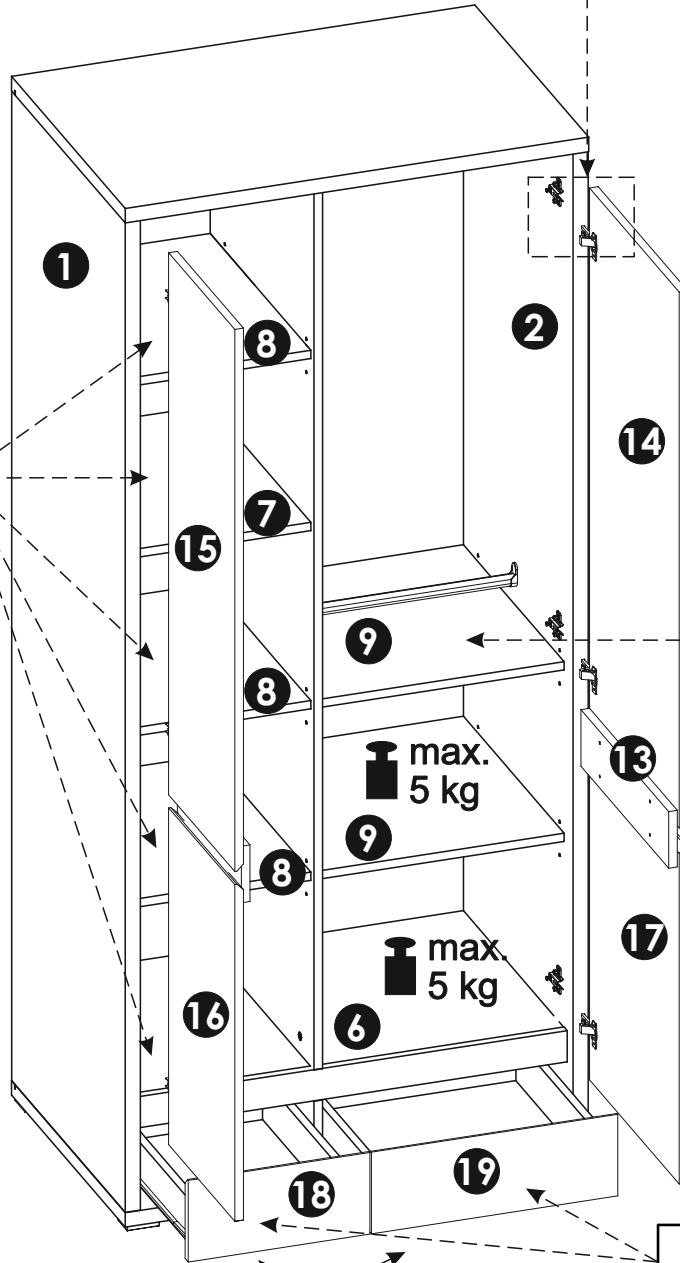
15 ▶



13 ▶



max.
5 kg



max.
5 kg

max.
5 kg

