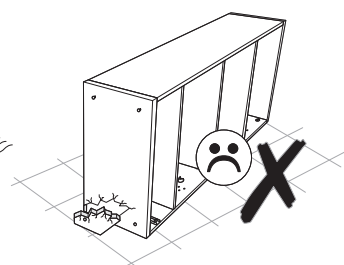
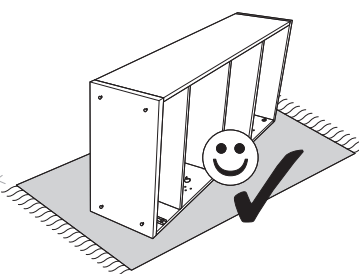
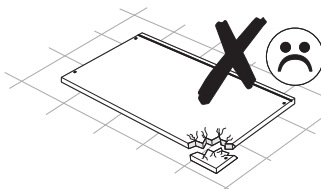
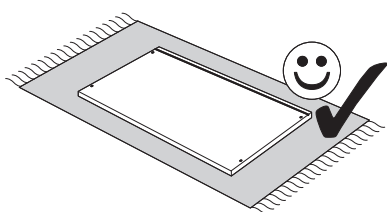
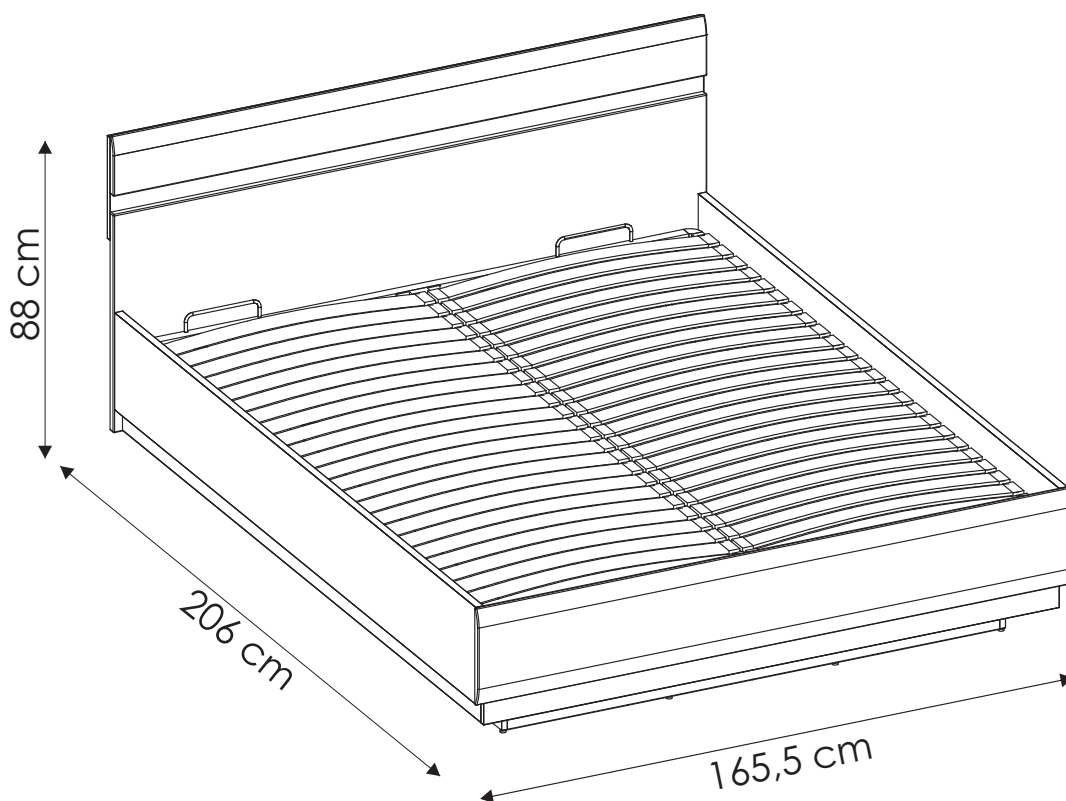
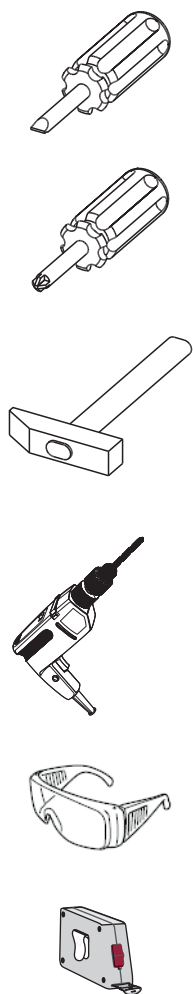
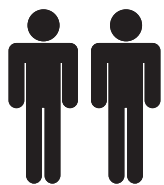
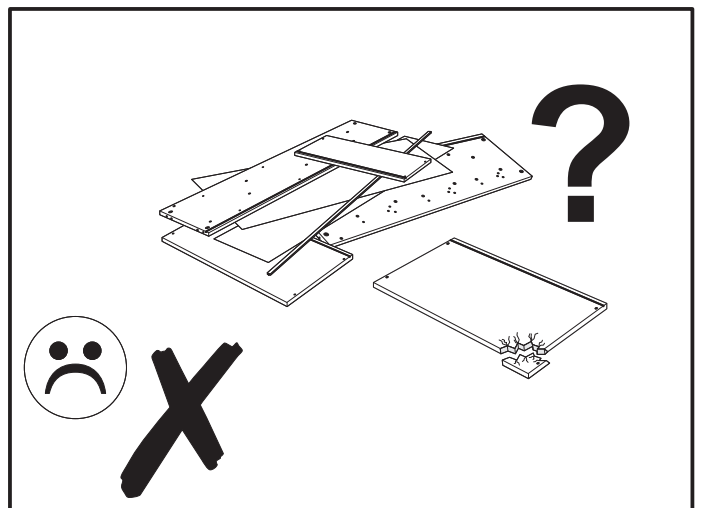
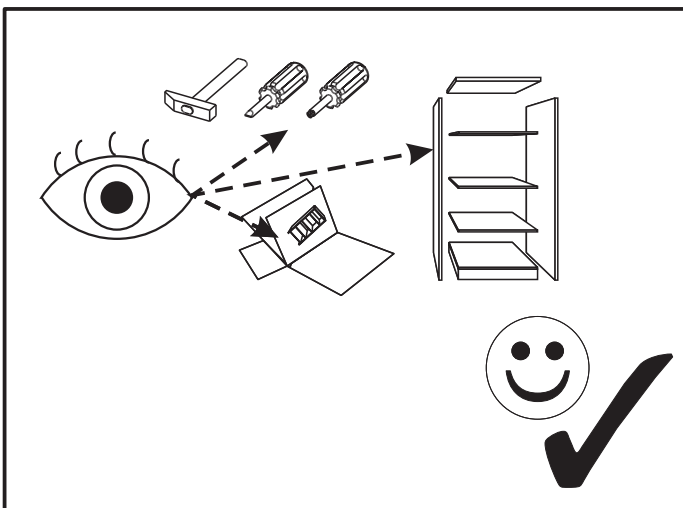
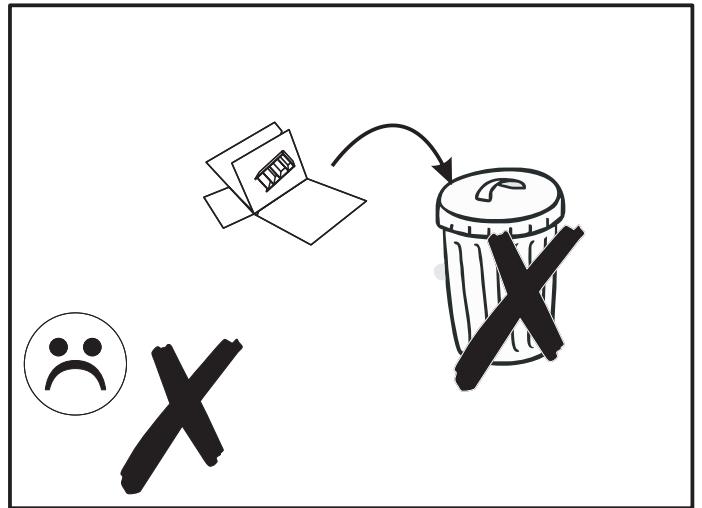
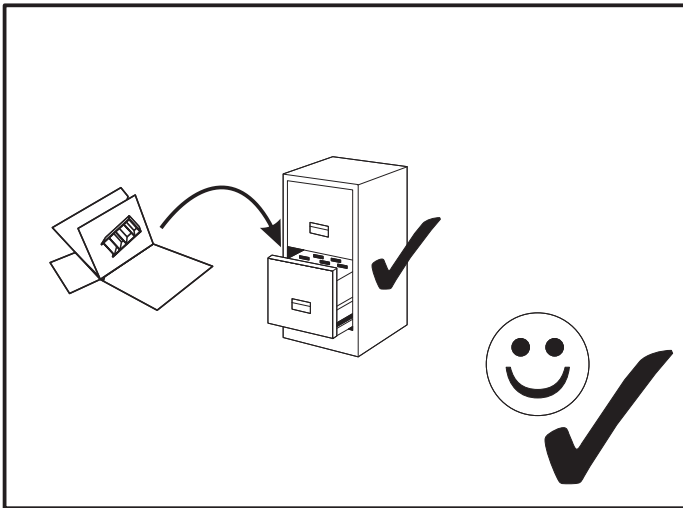
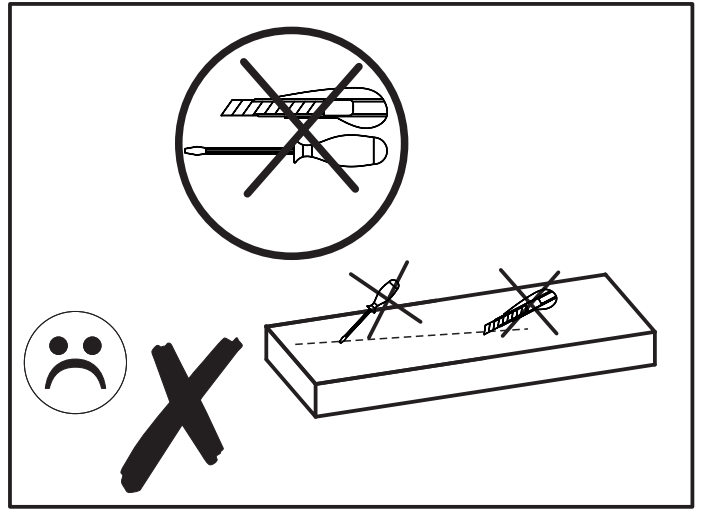
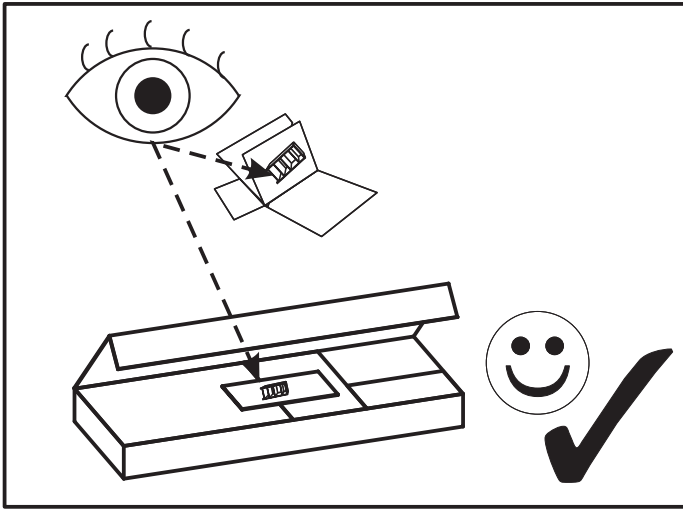
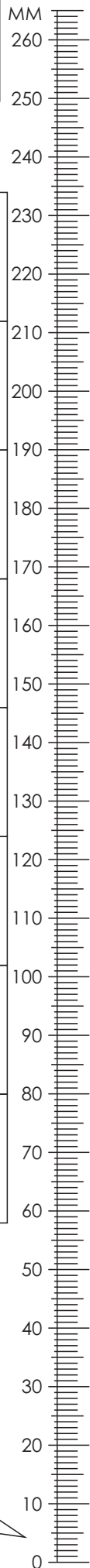






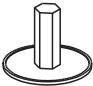







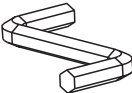

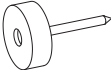
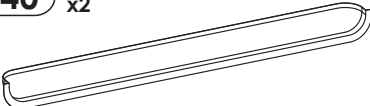




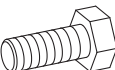
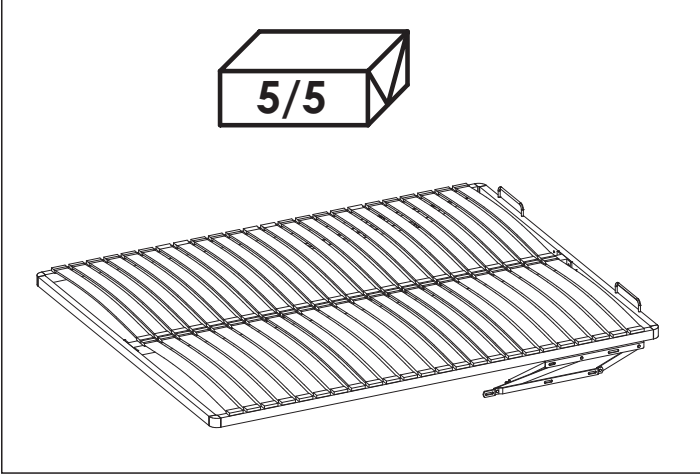

LINATE TYP 94

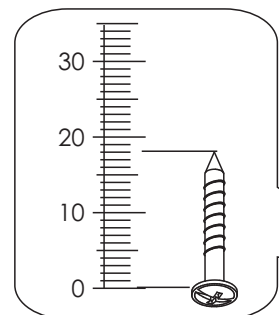




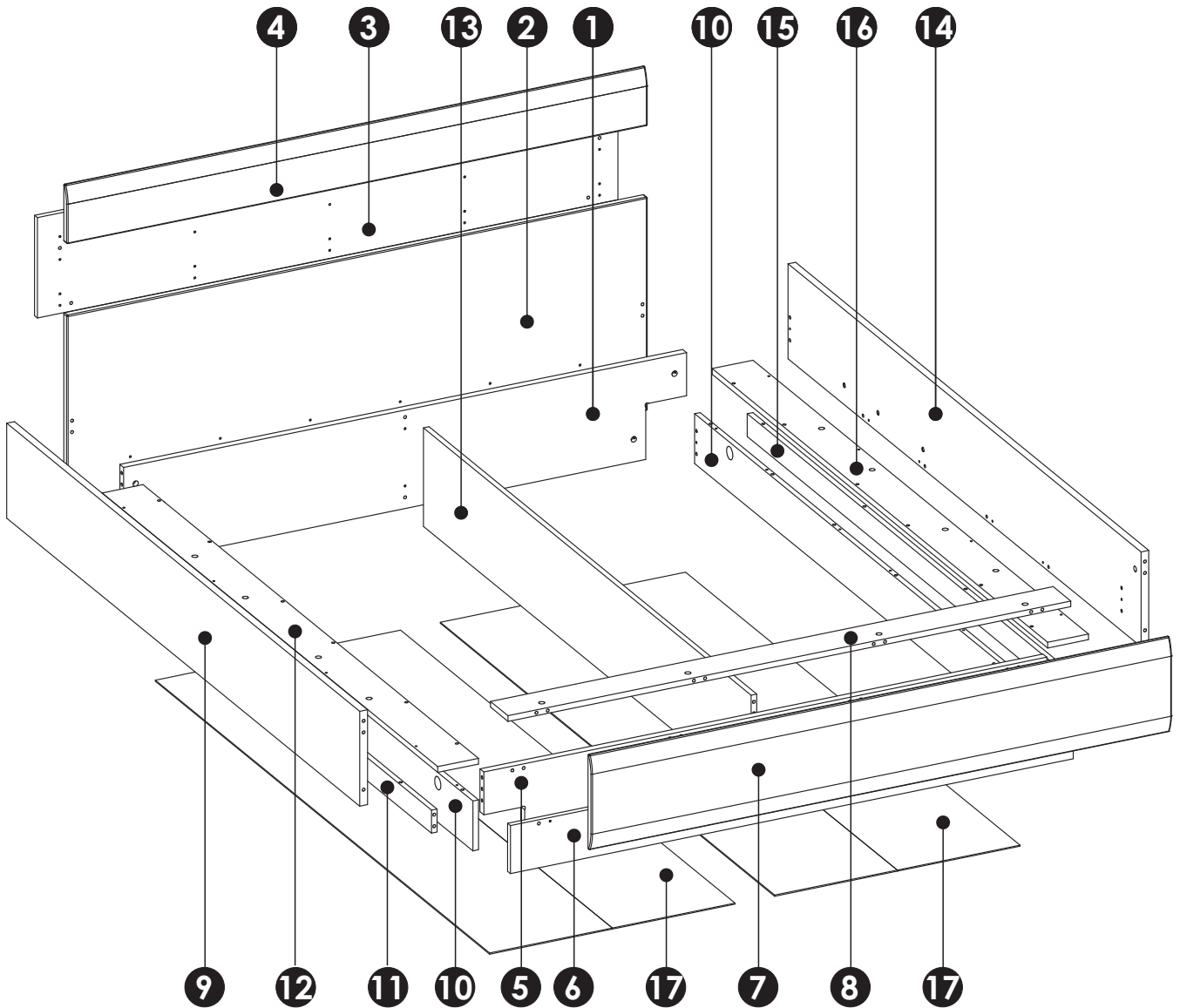
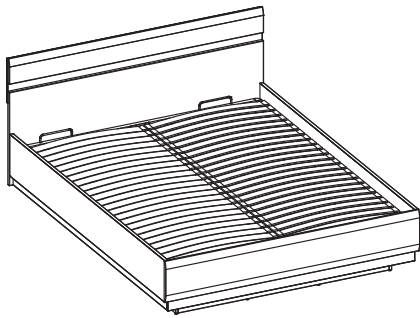
LINATE TYP 94



A0 x6 $\phi 8 \times 24$ mm 	A1 x66 $\phi 8 \times 35$ mm 	E0 x18 
E1 x28 	E022 x10 	F1 x28 
G0 x20 	G1 x20 $\phi 7 \times 50$ mm 	I6 x8 3,5 x 40 mm 
I7 x6 4 x 35 mm 	I17 x10 3 x 13mm 	J6 x24 4 x 30 mm 
M x1 	N1 x70 3 x 16mm 	O2 x17 
P40 x2 	R1 x13 	R5 x2 
R22 x6 	S18 x6 	S19 x6 M8x25 
<div data-bbox="228 1625 922 2098">  </div>		W16 x4 



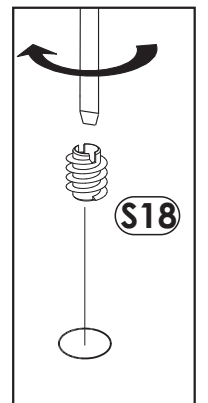
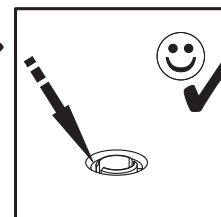
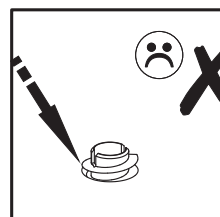
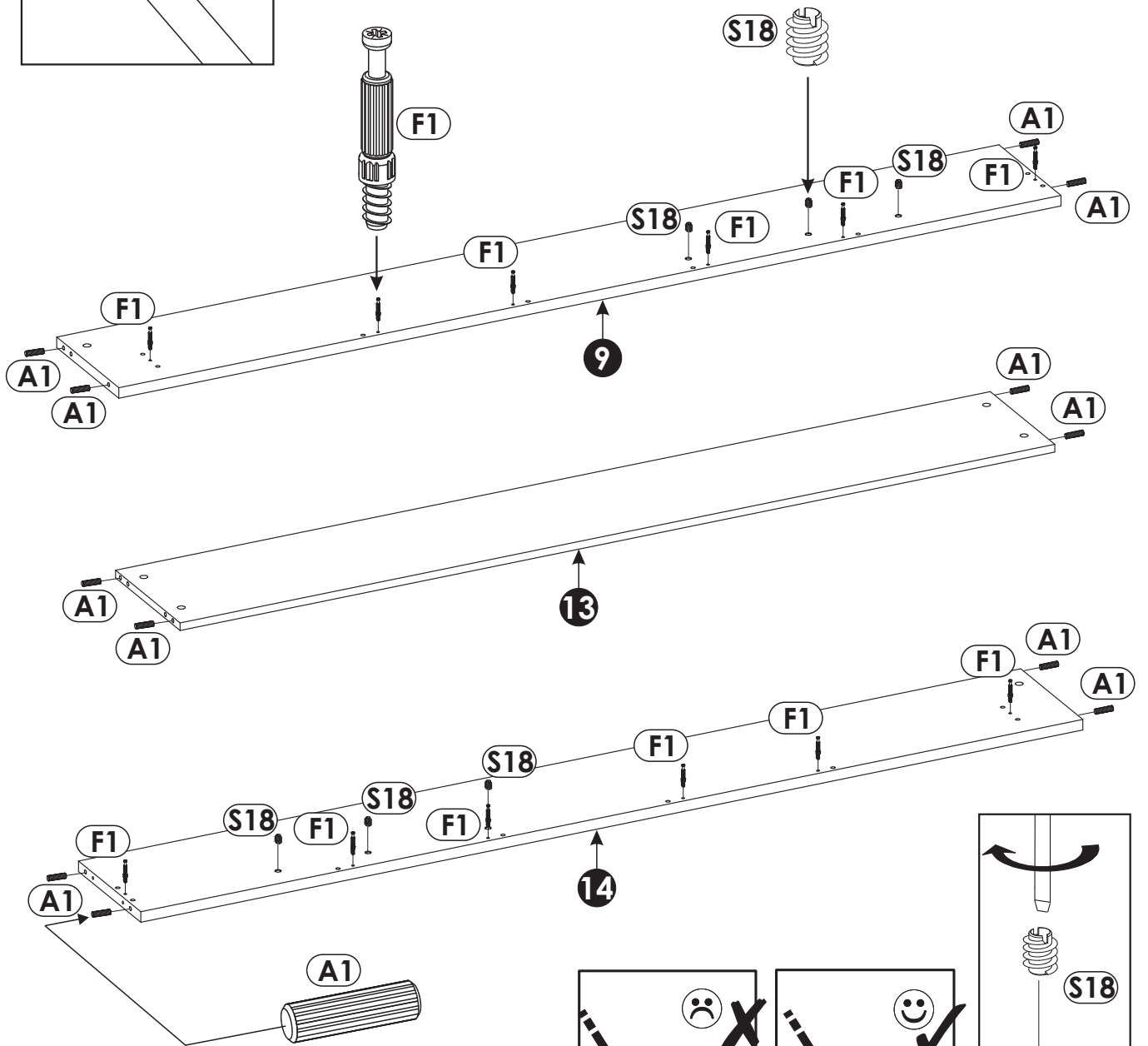
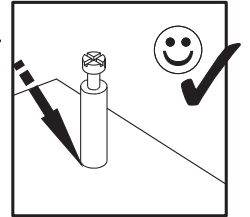
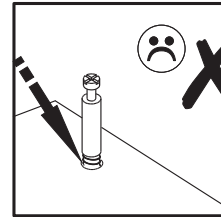
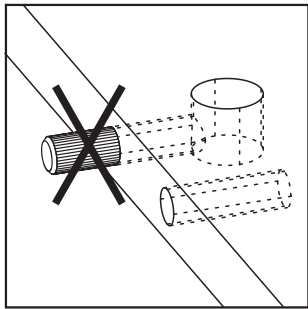
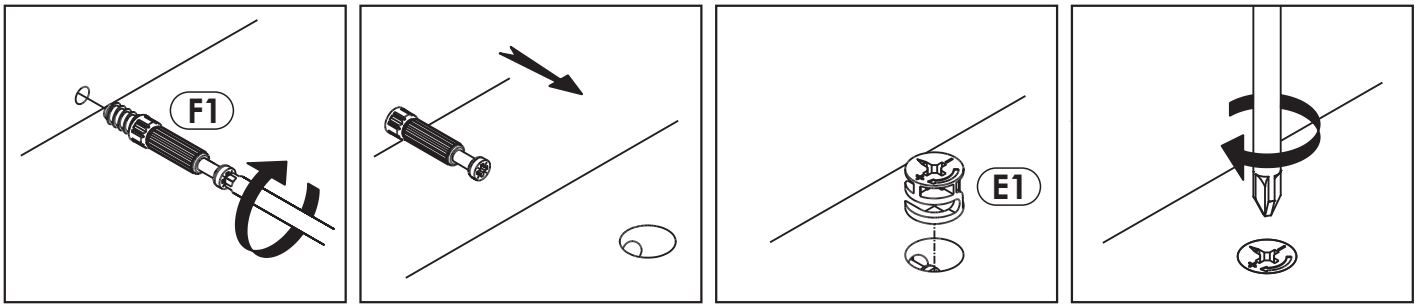
LINATE TYP 94



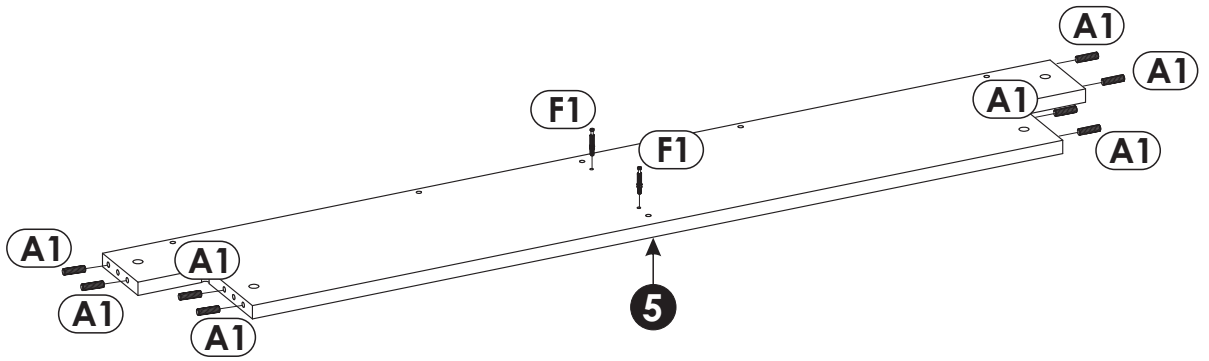
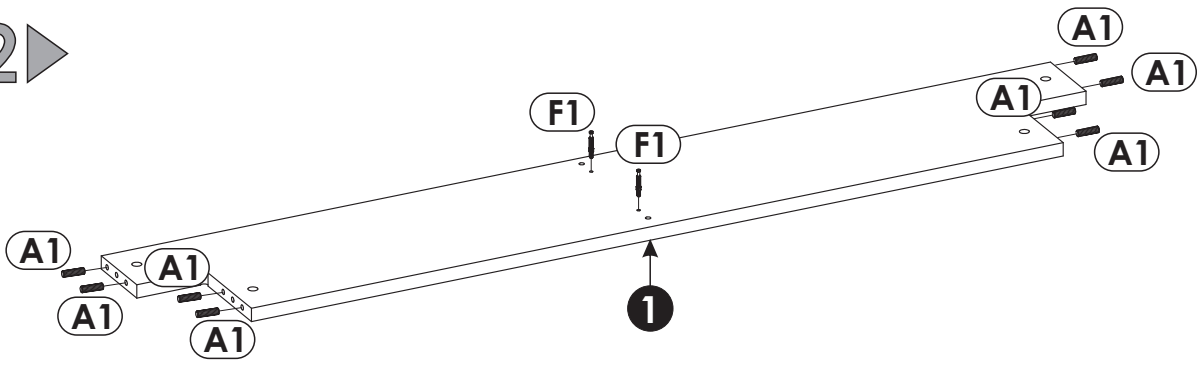
1	1602	275	22	x1	1/5
2	1652	595	19	x1	4/5
3	1652	280	16	x1	1/5
4	1652	160	19	x1	4/5
5	1602	275	22	x1	1/5
6	1602	134	16	x1	1/5

7	1652	265	19	x1	4/5
8	1602	100	16	x1	1/5
9	2010	265	22	x1	3/5
10	1910	139	16	x2	2/5
11	1994	64	16	x1	3/5
12	1910	116	16	x1	2/5

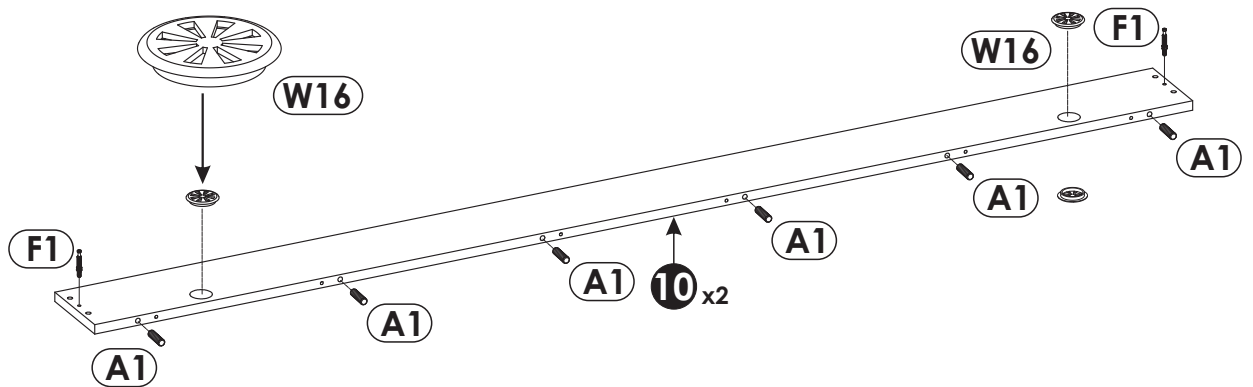
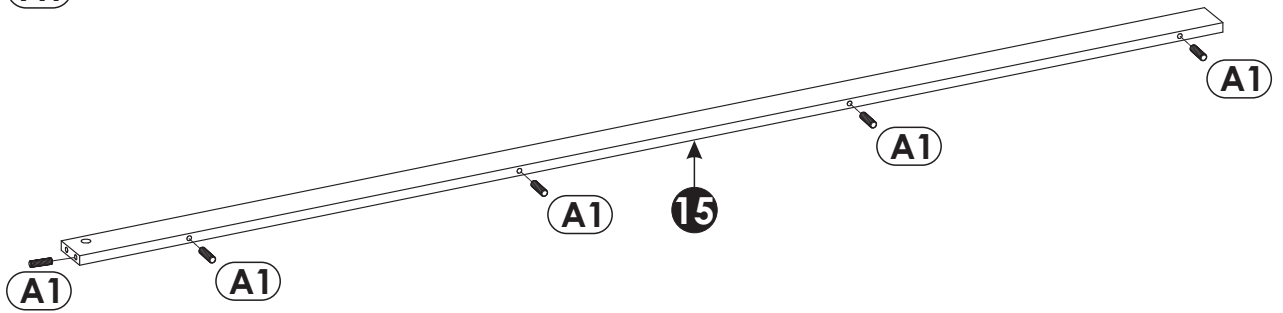
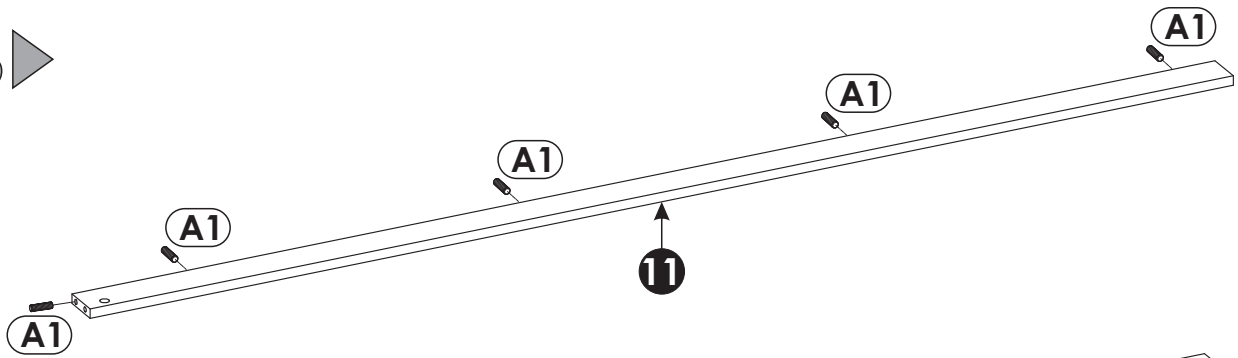
13	1866	275	16	x1	2/5
14	2010	265	22	x1	3/5
15	1994	64	16	x1	3/5
16	1910	116	16	x1	2/5
17	1904	698	3	x2	3/5



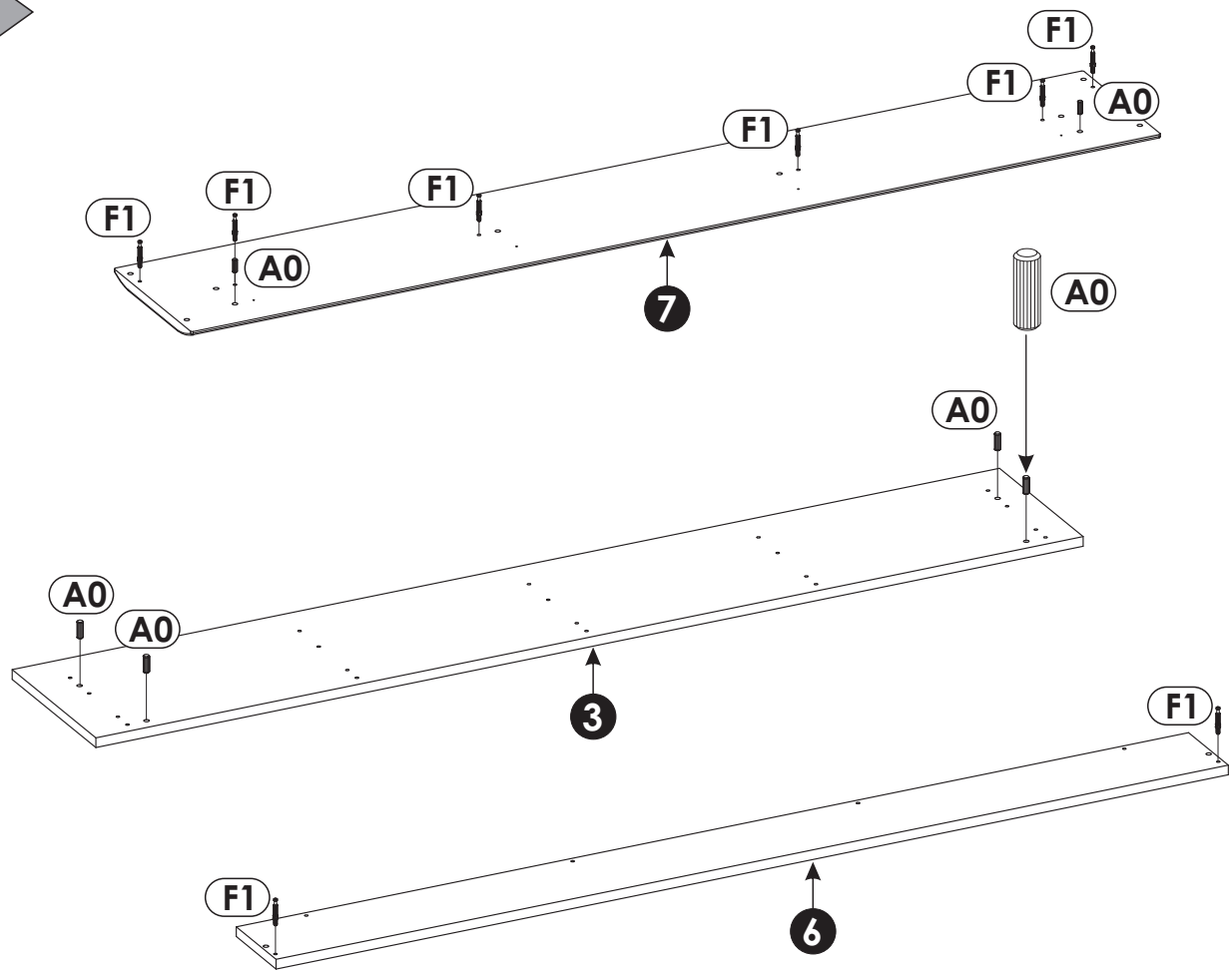
2 ▶



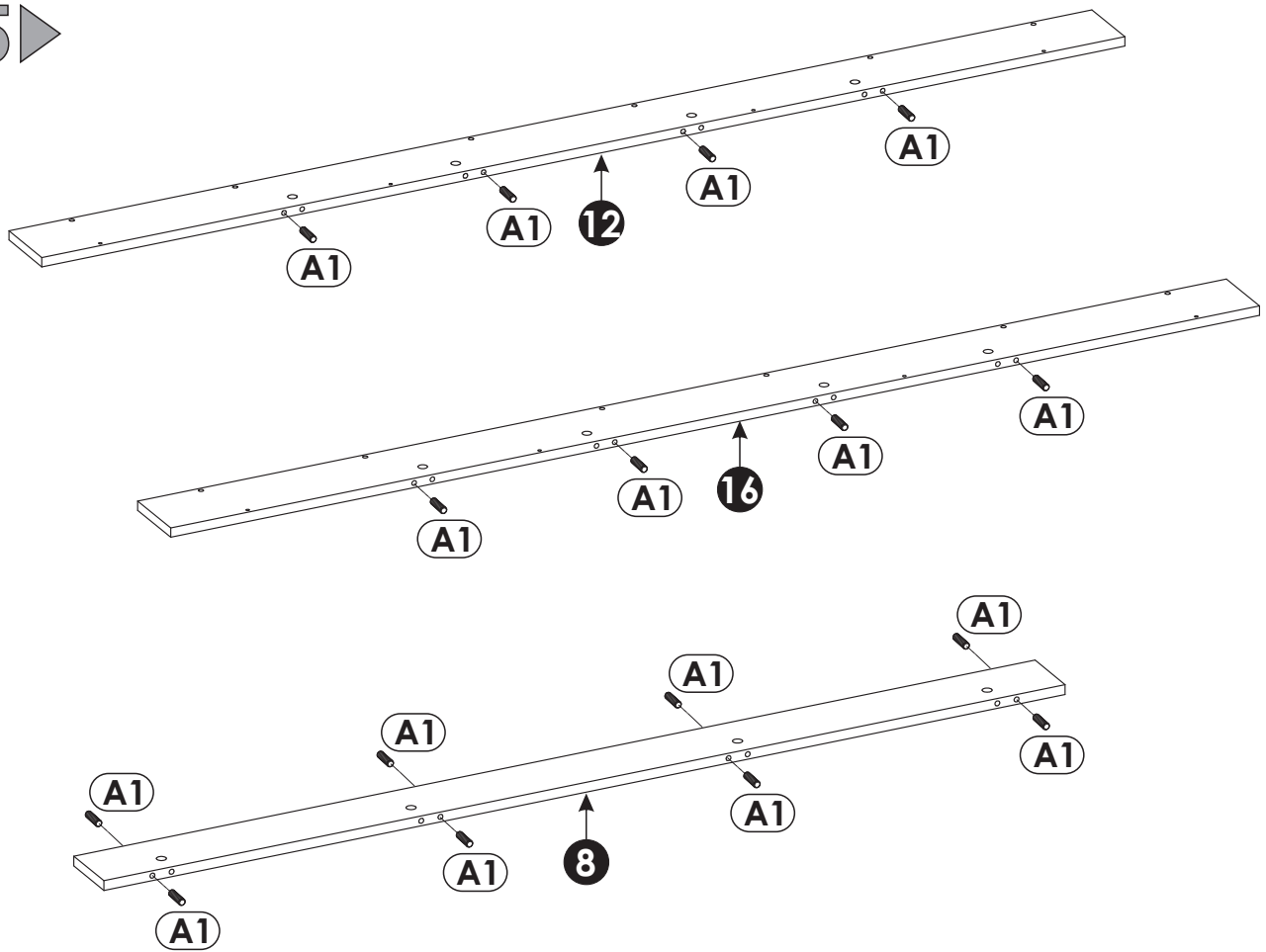
3 ▶



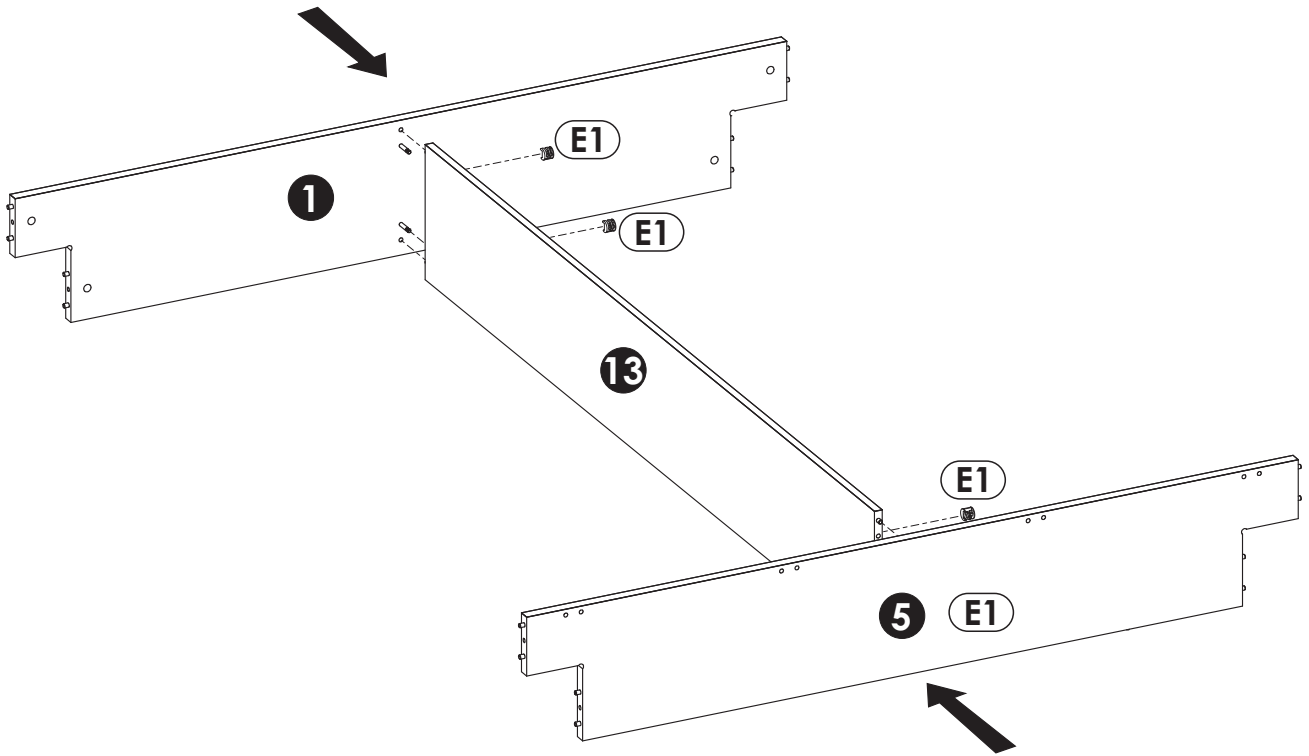
4 ▶



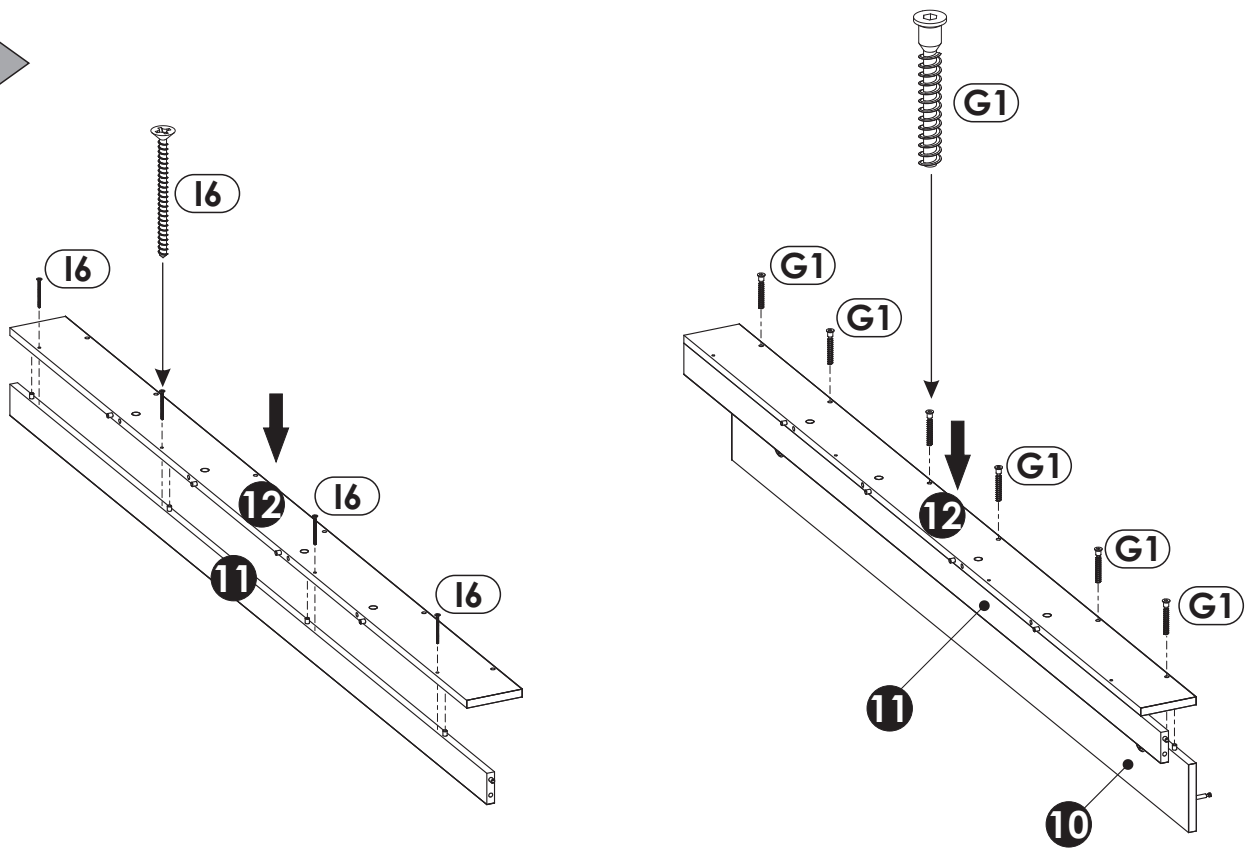
5 ▶



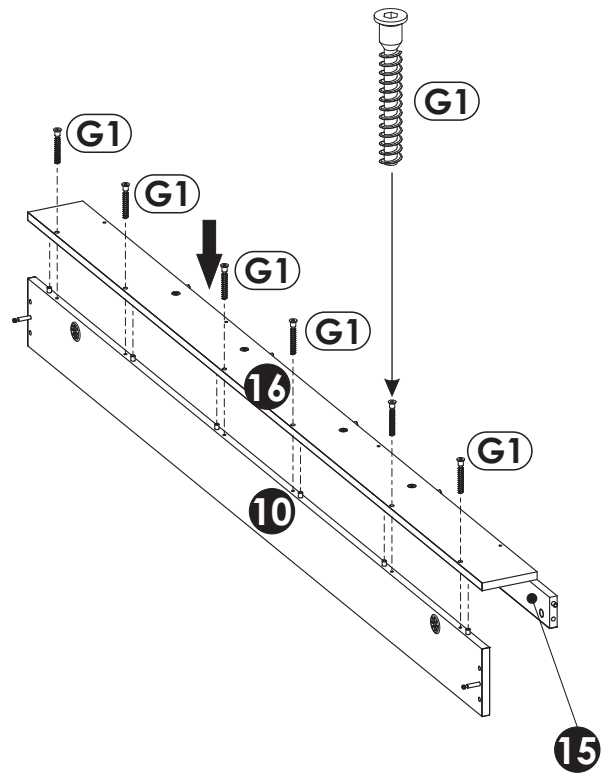
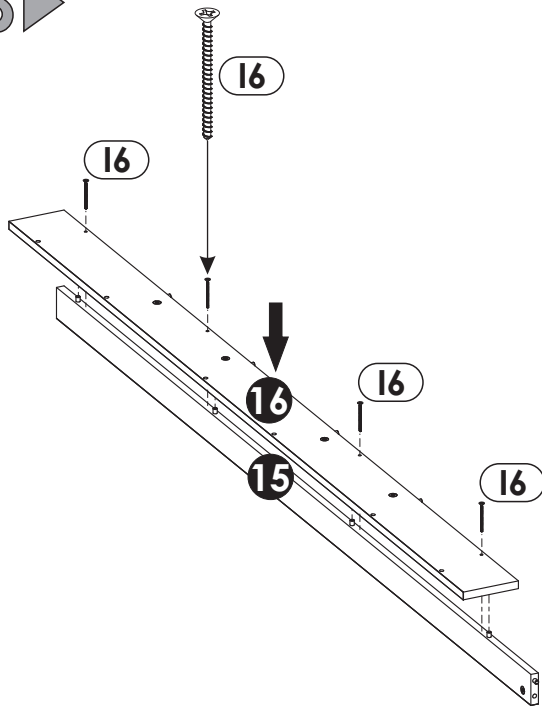
6 ▶



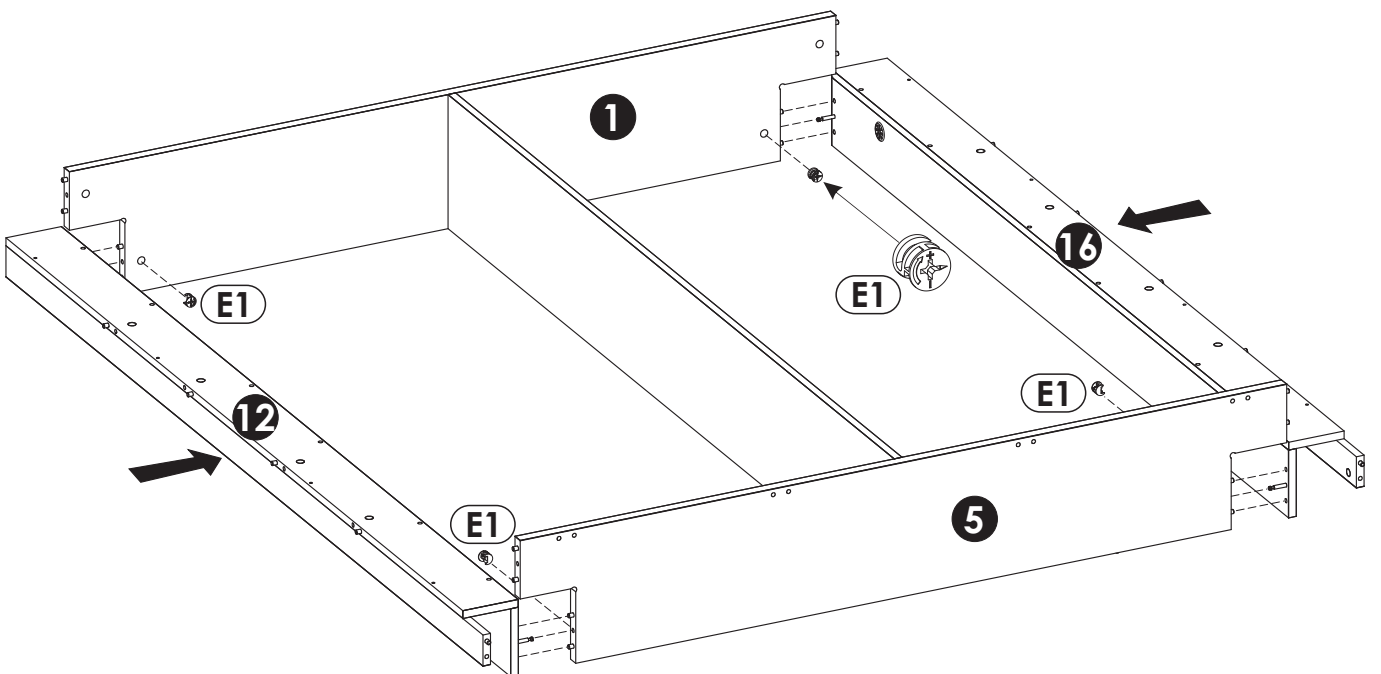
7 ▶



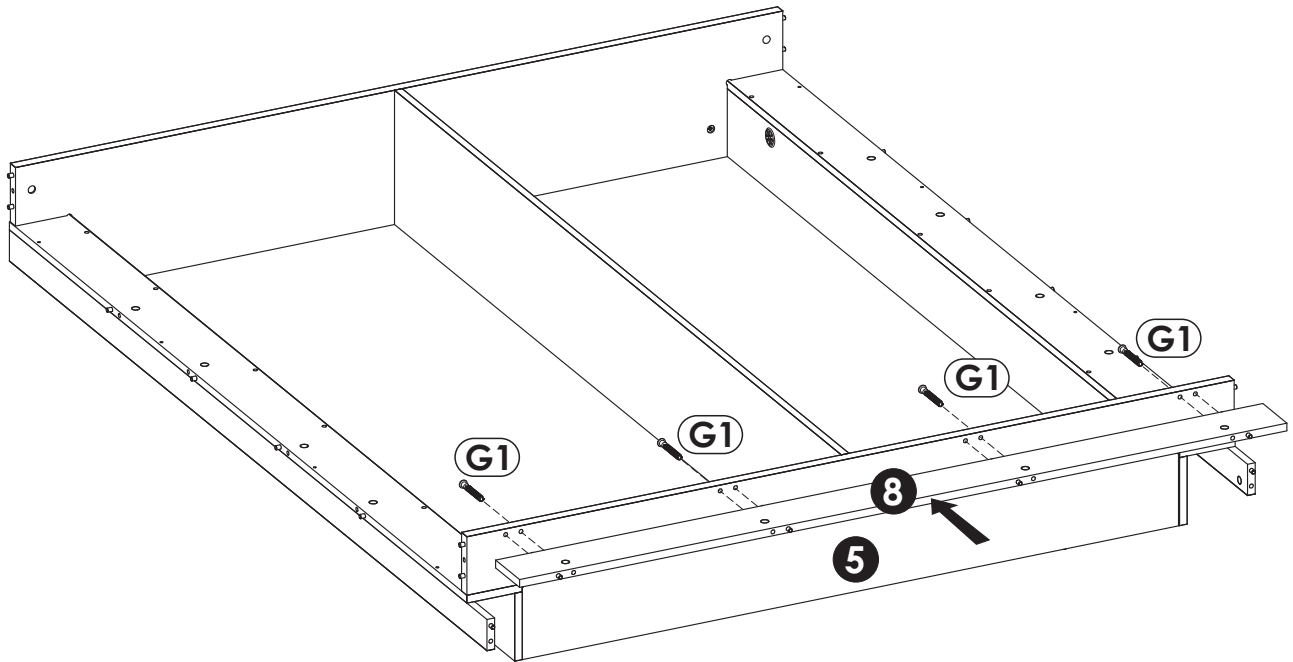
8 ▶



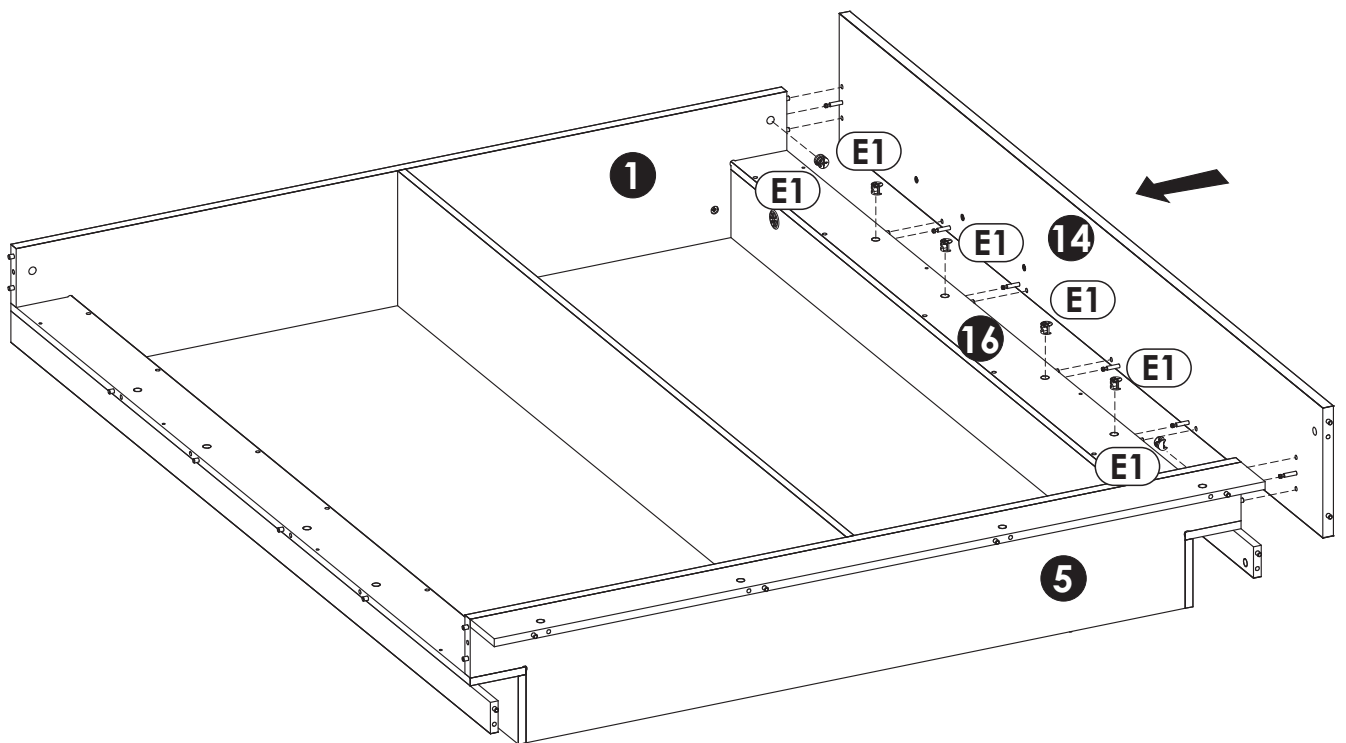
9 ▶



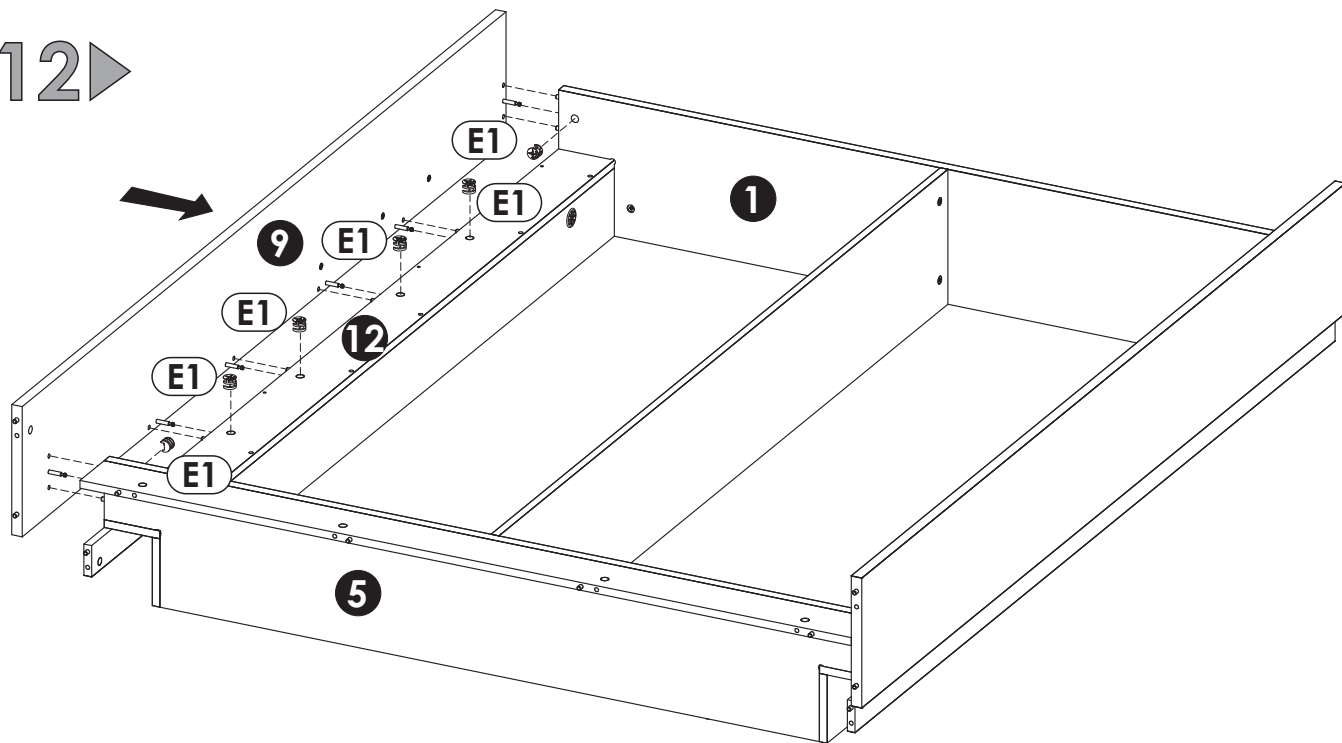
10 ▶



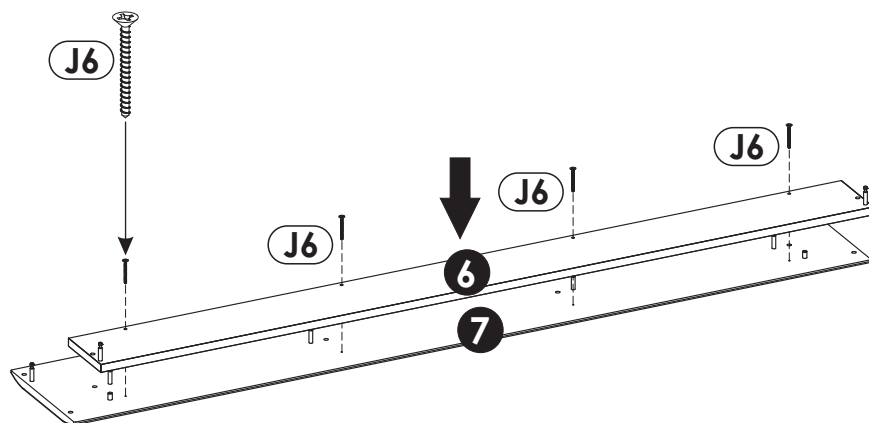
11 ▶



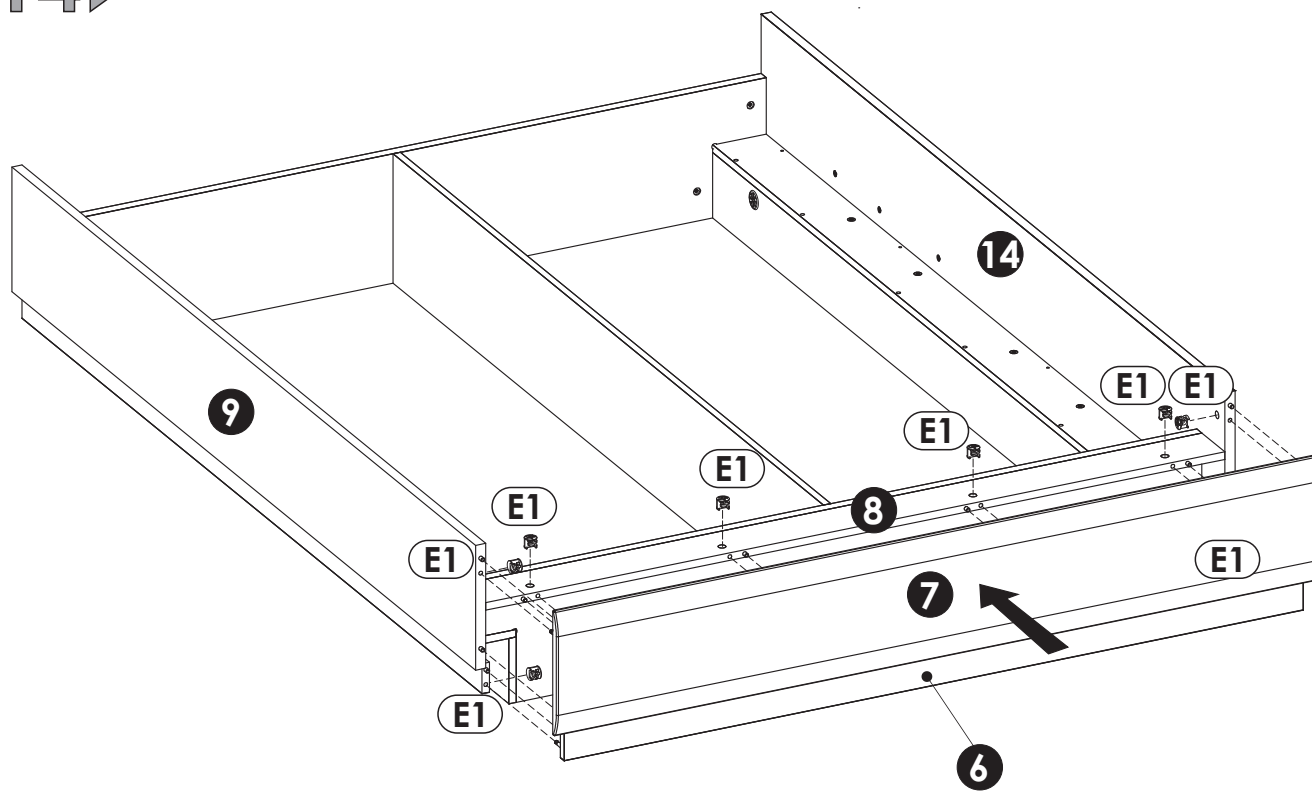
12▶



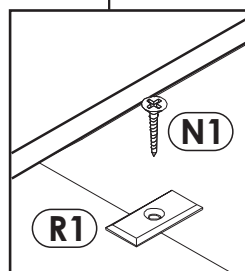
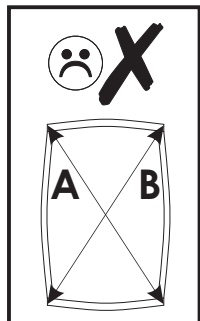
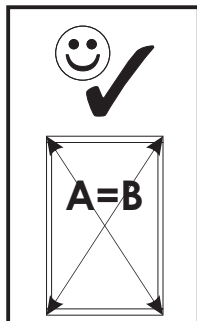
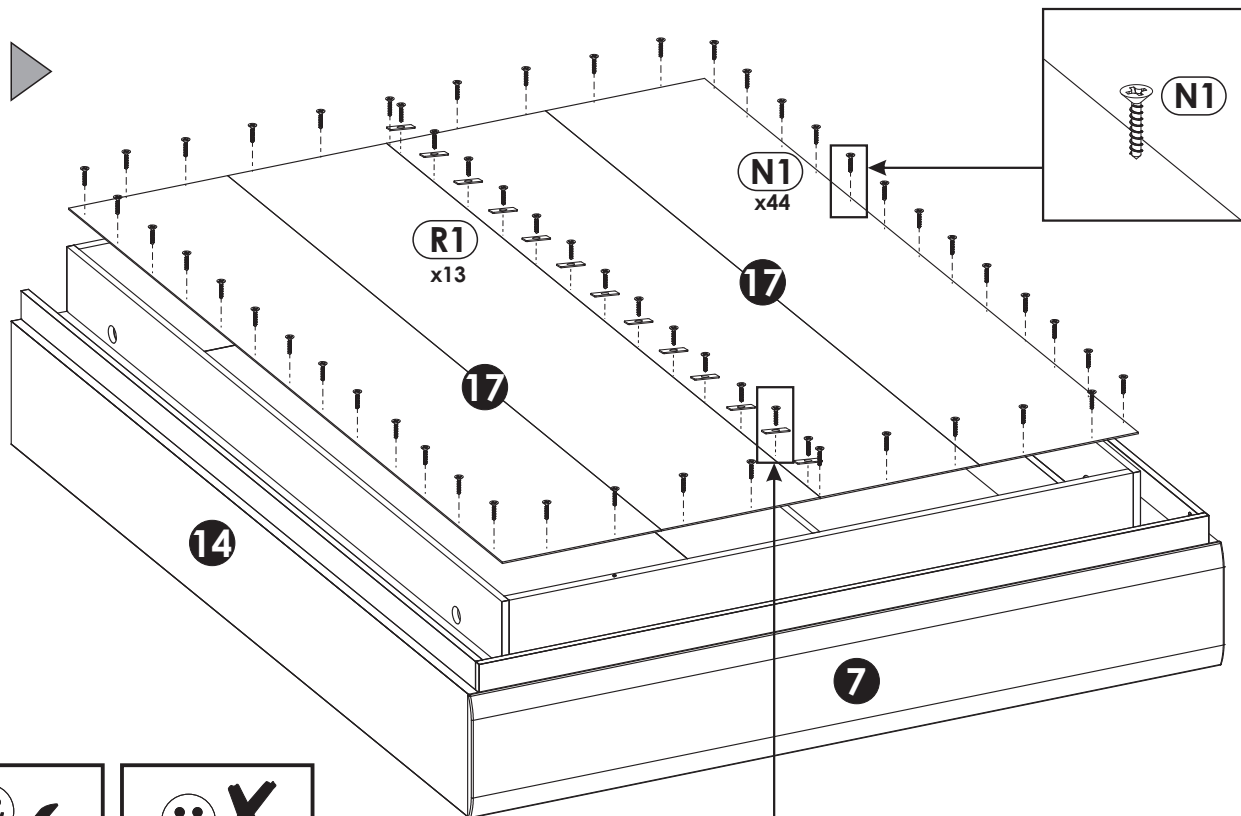
13▶



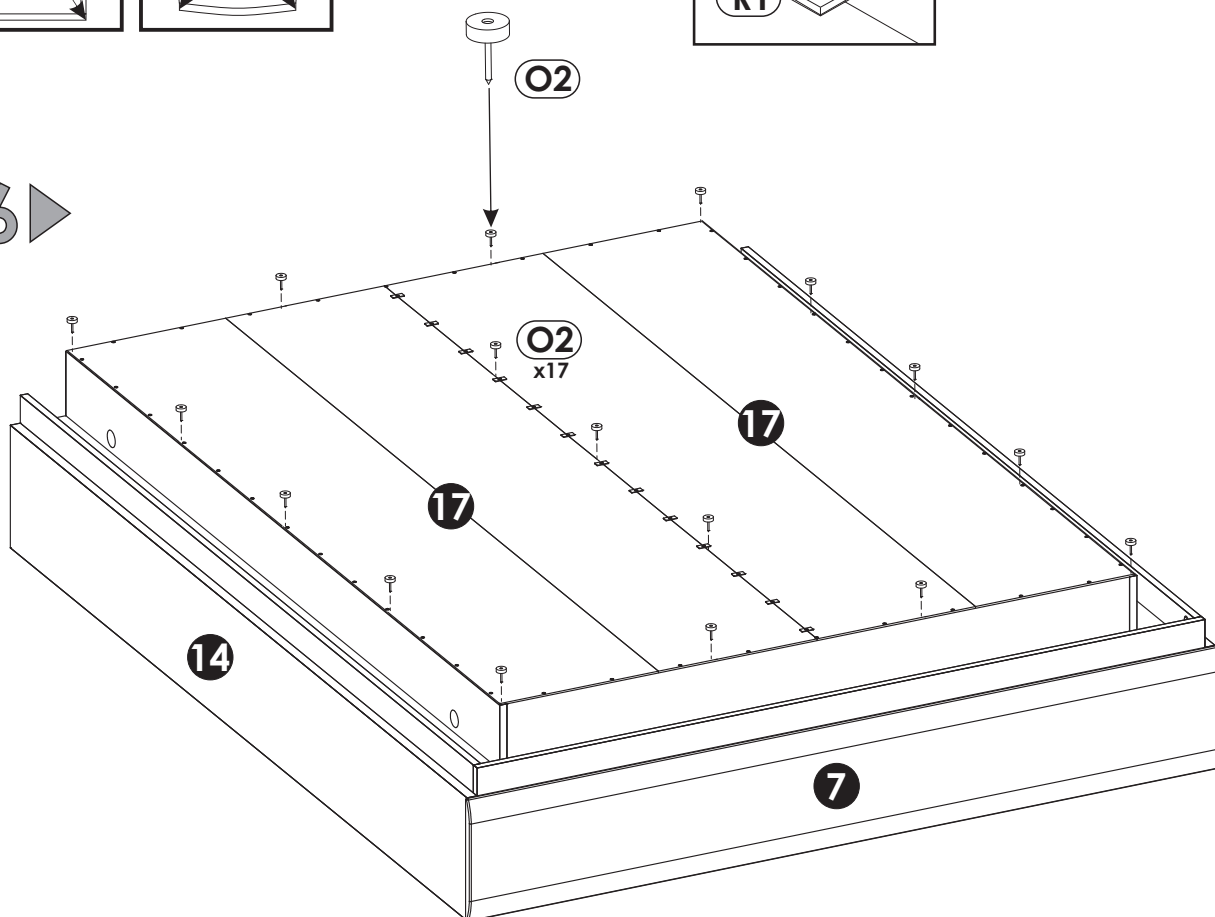
14▶



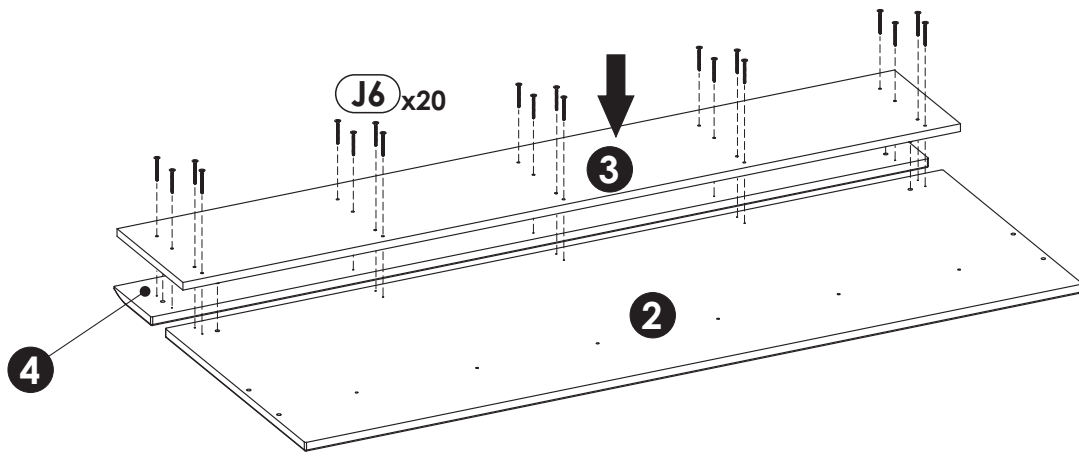
15 ▶



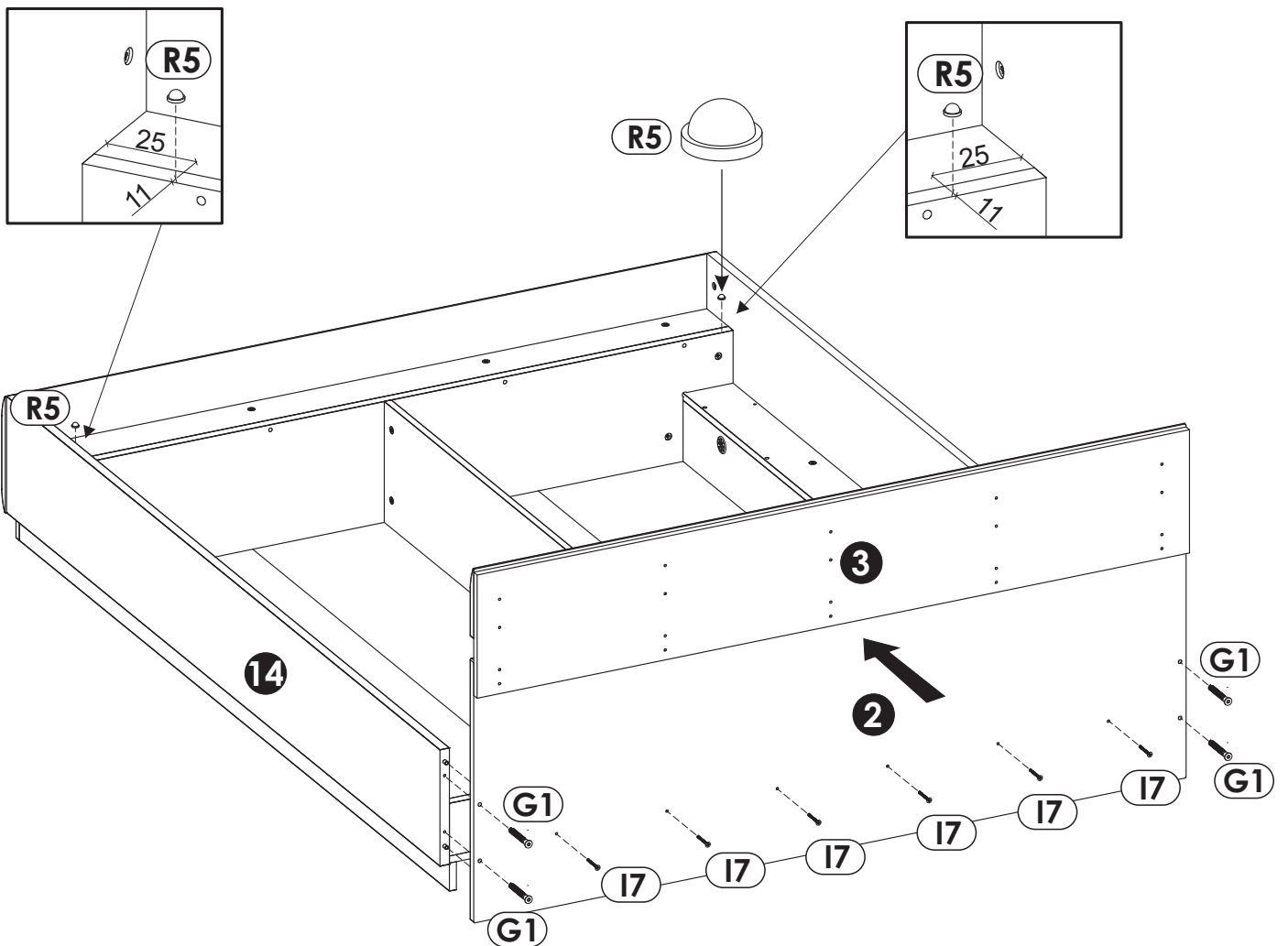
16 ▶



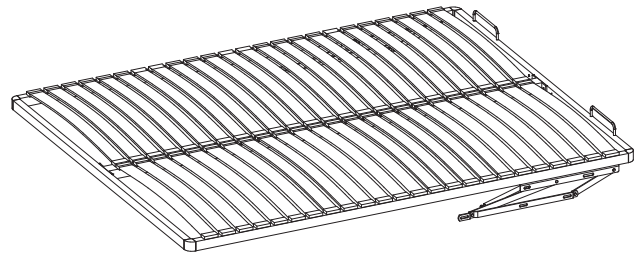
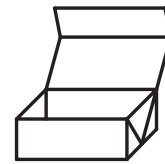
17▶



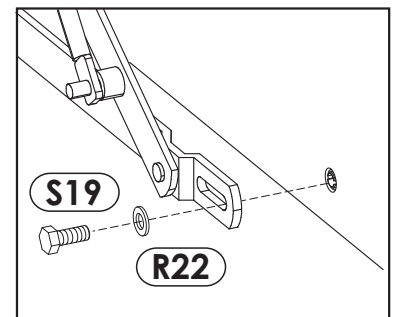
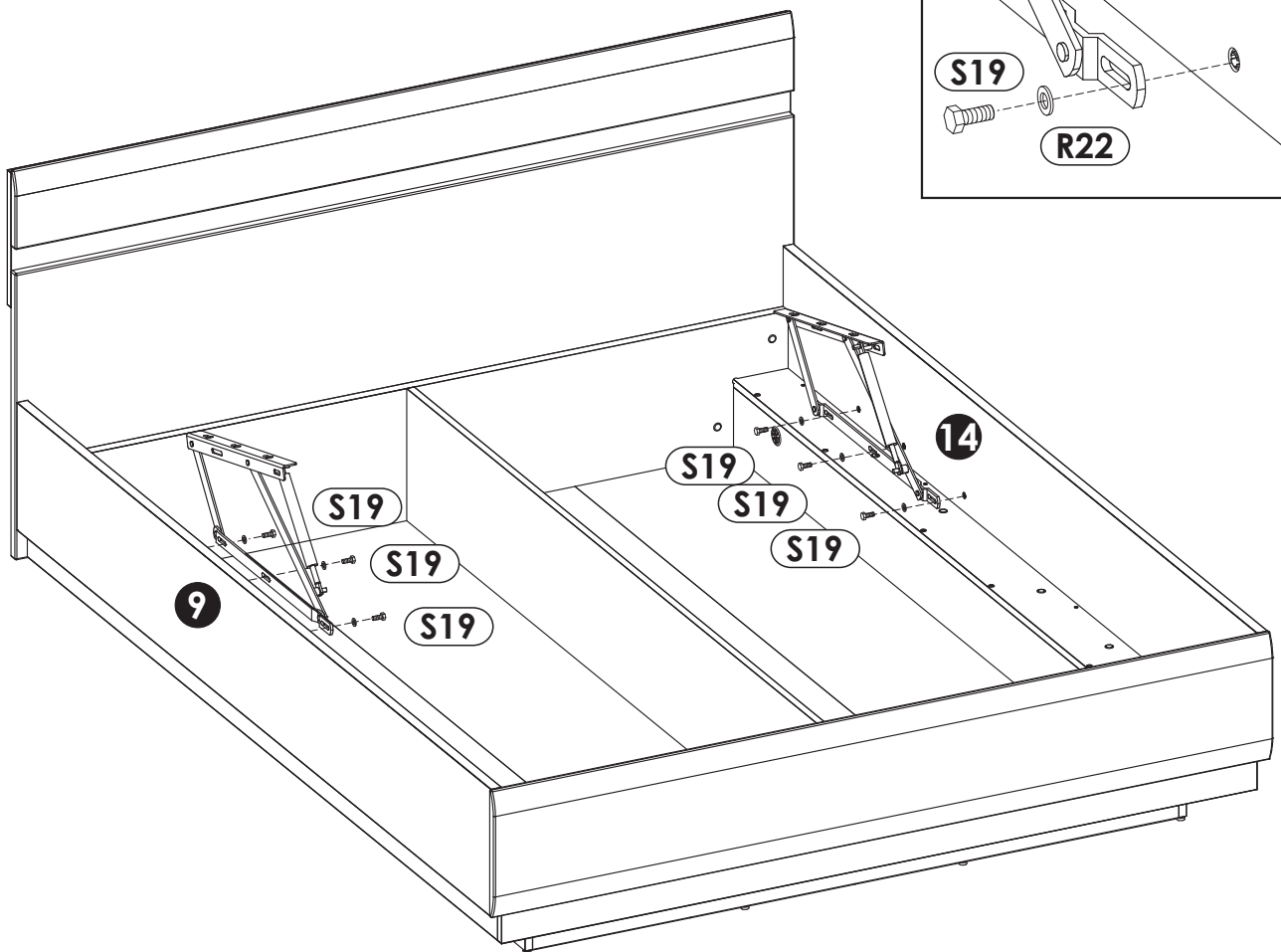
18▶



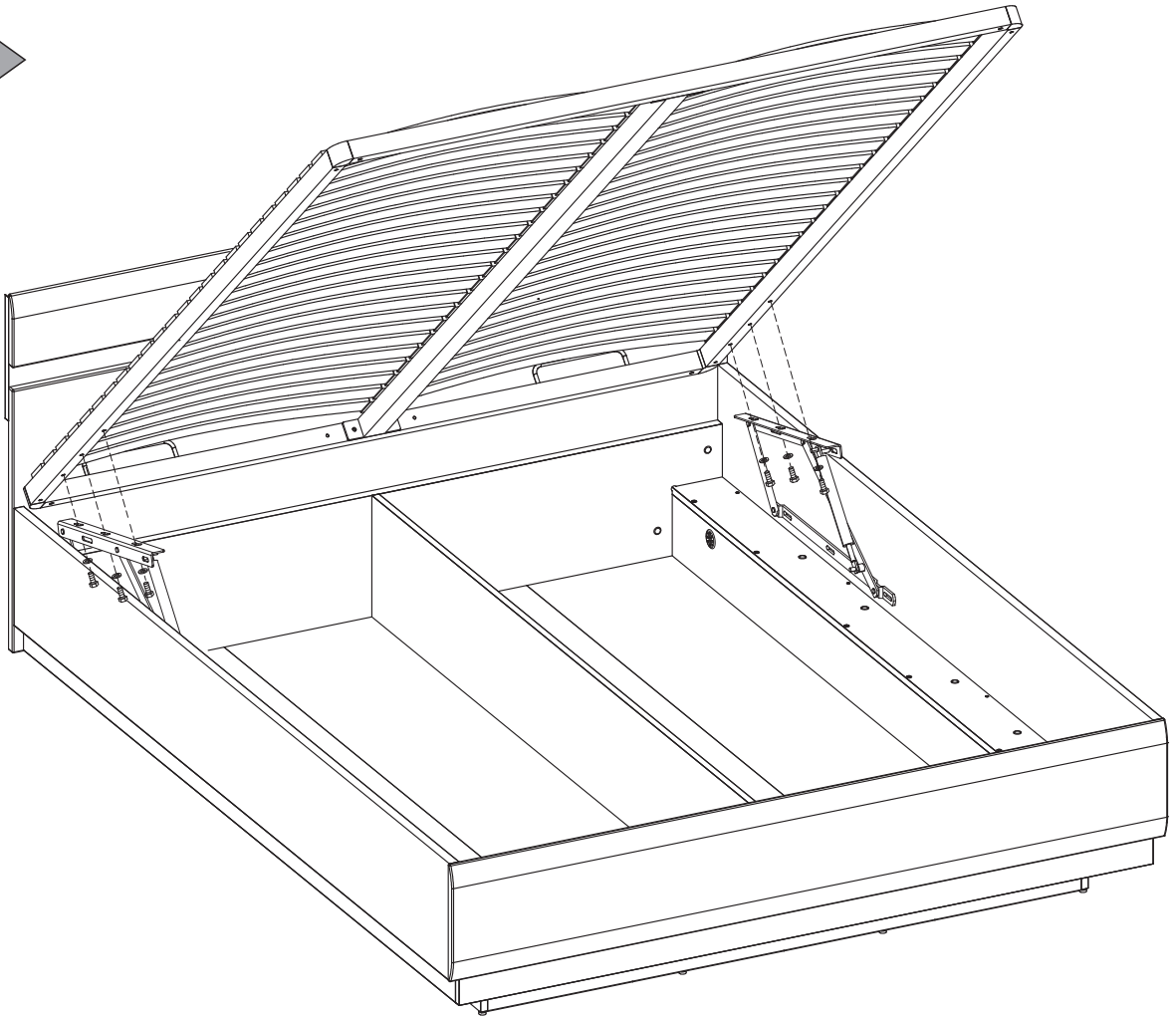
19▶



20▶



21 ▶



22 ▶

